

SOURCETRONIC – Quality electronics for service, lab and production

# User Manual

## Frequency Inverter ST500 series



# Contents

<b>Chapter 1. Inspection and safety precautions.....</b>	<b>1</b>
<b>1-1. Inspection after unpacking.....</b>	<b>1</b>
<b>1-1-1. Instructions on nameplate.....</b>	<b>1</b>
<b>1-1-2. Model designation.....</b>	<b>1</b>
<b>1-2. Safety precautions.....</b>	<b>2</b>
<b>1-3. Precautions.....</b>	<b>3</b>
<b>1-4. Scope of applications.....</b>	<b>5</b>
<b>Chapter 2 Standard specifications.....</b>	<b>6</b>
<b>2-1. Technical specifications.....</b>	<b>6</b>
<b>2-2. Main circuit terminal screw specification.....</b>	<b>9</b>
<b>2-3. Standard specifications.....</b>	<b>10</b>
<b>Chapter 3 Keyboard.....</b>	<b>13</b>
<b>3-1. Keyboard description.....</b>	<b>13</b>
<b>3-2. Keyboard Indicators.....</b>	<b>13</b>
<b>3-3. Description of operation panel keys.....</b>	<b>14</b>
<b>3-4. Keyboard display and corresponding letters and numbers.....</b>	<b>14</b>
<b>3-5. Examples of parameter settings.....</b>	<b>15</b>
<b>3-5-1. Instructions on viewing and modifying function code.....</b>	<b>15</b>
<b>3-5-2. The way to read parameters in various status.....</b>	<b>16</b>
<b>3-5-3. Password settings.....</b>	<b>16</b>
<b>3-5-4. Motor parameter auto turning.....</b>	<b>16</b>
<b>Chapter 4 Installation and commissioning.....</b>	<b>17</b>
<b>4-1. Use of the environment.....</b>	<b>17</b>
<b>4-2. Installation direction and space.....</b>	<b>17</b>
<b>4-3. Wiring Diagram.....</b>	<b>18</b>

4-3-1. Wiring diagram .....	19
<b>4-4. Main circuit terminal .....</b>	<b>20</b>
4-4-1. Main circuit terminal arrangement .....	20
4-4-2. Function description of main circuit terminal .....	23
<b>4-5. Control circuit terminals .....</b>	<b>23</b>
4-5-1. Control circuit terminals arrangement .....	23
4-5-2. Description of control circuit terminals .....	23
<b>4-6. Wiring Precautions .....</b>	<b>26</b>
<b>4-7. Spare Circuit .....</b>	<b>27</b>
<b>4-8. Commissioning .....</b>	<b>28</b>
<b>Chapter 5 Function parameter .....</b>	<b>29</b>
<b>5-1. Menu grouping .....</b>	<b>29</b>
<b>5-2. Function parameter description .....</b>	<b>59</b>
5-2-1. Basic monitoring parameters: d0.00-d0.41 .....	59
5-2-2. Basic function group: F0.00-F0.27 .....	61
5-2-3. Input terminal: F1.00-F1.46 .....	68
5-2-4. Output terminal group: F2.00-F2.19 .....	77
5-2-5. Start and stop control group: F3.00-F3.15 .....	80
5-2-6. V/F control parameters: F4.00-F4.14 .....	83
5-2-7. Vector control parameters: F5.00-F5.15 .....	86
5-2-8. Keyboard and display: F6.00-F6.19 .....	87
5-2-9. Auxiliary function: F7.00-F7.54 .....	91
5-2-10. Fault and protection: F8.00-F8.35 .....	98
5-2-11. Communication parameter: F9.00-F9.07 .....	102
5-2-12. Torque control parameters FA.00-FA.07 .....	103
5-2-13. Control optimization parameters: Fb.00-Fb.09 .....	104

5-2-14. Extended parameter: FC.00-FC.02 .....	105
5-2-15. Wobble, fixed-length and counting:E0.00-E0.11 .....	106
5-2-16. Multi-stage command, simple PLC: E1.00 - E1.51 .....	108
5-2-17. PID function: E2.00-E2.32 .....	110
5-2-18. Virtual DI, Virtual DO: E3.00 - E3.21 .....	114
5-2-19. Motor parameters: b0.00-b0.35 .....	116
5-2-20. Function code management: y0.00-y0.04 .....	120
5-2-21. Fault query:y1.00-y1.30 .....	121
<b>Chapter 6 Troubleshooting .....</b>	<b>124</b>
<b>6-1. Fault alarm and countermeasures .....</b>	<b>124</b>
<b>6-2. EMC (Electromagnetic Compatibility) .....</b>	<b>128</b>
6-2-1. Definition .....	128
6-2-2. EMC standard .....	128
<b>6-3. EMC directive .....</b>	<b>128</b>
6-3-1. Harmonic effect .....	128
6-3-2. Electromagnetic interference and installation precautions .....	128
6-3-3. Remedies for the interference from the surrounding .....	129
6-3-4. Remedies for the interference from the inverter .....	129
6-3-5. Remedies for leakage current .....	129
6-3-6. Precautions on installing EMC input filter .....	130
<b>Chapter 7 Dimension .....</b>	<b>131</b>
<b>7-1. Dimension .....</b>	<b>131</b>
7-1-1. Product outside drawing, installation size .....	131
7-1-2. ST500 series .....	131
7-1-3. ST500 series (Base with DC reactor) .....	136
7-1-4. Keypad dimension drawing .....	140

<b>Chapter 8 Maintenance and repair .....</b>	<b>142</b>
<b><i>8-1. Inspection and maintenance .....</i></b>	<b>142</b>
<b><i>8-2. Parts for regular replacement .....</i></b>	<b>142</b>
<b><i>8-3. Storage .....</i></b>	<b>143</b>
<b><i>8-4. Capacitor .....</i></b>	<b>143</b>
<b><i>8-5. Measuring and readings .....</i></b>	<b>144</b>
<b>Chapter 9 Options.....</b>	<b>145</b>
<b><i>9-1. Expansion cards .....</i></b>	<b>146</b>
<b><i>9-2. Brake unit and brake resistor .....</i></b>	<b>146</b>
<b><i>9-3. Cable.....</i></b>	<b>147</b>
<b>Chapter 10 Warranty .....</b>	<b>149</b>
<b>Appendix I RS485 Communication protocol .....</b>	<b>150</b>
<b>Appendix II How to use universal encoder expansion card .....</b>	<b>159</b>
<b>Appendix III CAN bus communication card use description .....</b>	<b>161</b>
<b>Appendix IV: Instruction of Profibus – DP communication card .....</b>	<b>162</b>
<b>Appendix V product application case.....</b>	<b>164</b>
<b><i>V-1. Single pump constant pressure water supply parameter setting .....</i></b>	<b>164</b>
<b><i>V-2 Terminal block control motor forward and reverse .....</i></b>	<b>165</b>
<b><i>V-3 External frequency and current display.....</i></b>	<b>166</b>
<b><i>V-4 Terminal block control forward / reverse running jog .....</i></b>	<b>167</b>
<b><i>V-5 Multi-speed running.....</i></b>	<b>167</b>
<b><i>V-6 External potentiometer speed regulation .....</i></b>	<b>168</b>
<b><i>V-7 Keyboard potentiometer speed .....</i></b>	<b>169</b>
<b><i>V-8. Rise / Fall Control Speed .....</i></b>	<b>169</b>
<b><i>V-9. External analog speed control (external 0 ~ 10V voltage signal) .....</i></b>	<b>170</b>

<b><i>V-10. External analog speed control (external 0 ~ 20mA current signal).</i></b>	<b>171</b>
<b><i>V-11. Compressor constant pressure control (for two-wire sensor).....</i></b>	<b>172</b>
<b><i>V-12. Frequency reference switching (external poti, keyboard encoder).</i></b>	<b>173</b>

# Chapter 1. Inspection and safety precautions

Sourcetric frequency inverters have been tested and inspected before leaving factory. After purchasing, please check if its package is damaged due to careless transportation, and if the specifications and model of the product are consistent with your order requirements. For any problem, please contact your local authorized Sourcetric dealer or directly contact this company.

## 1-1. Inspection after unpacking

- ※ Check if that packing container contains this unit and one manual CD with this pdf.
- ※ Check the nameplate on the side of the frequency inverter to ensure that the product you have received is right the one you ordered.

### 1-1-1. Instructions on nameplate

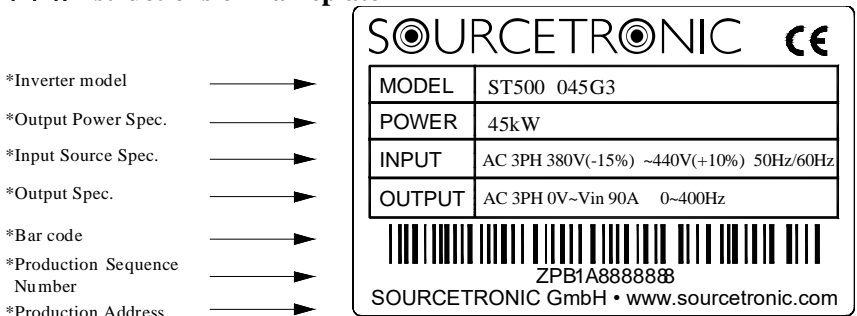


Figure 1-1: Nameplate Description

### 1-1-2. Model designation

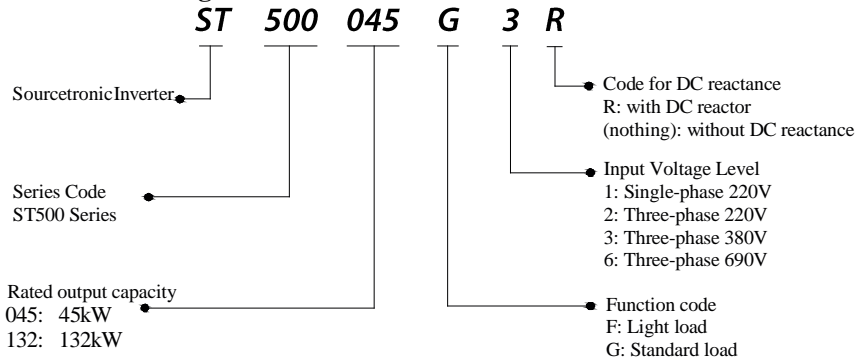









Figure 1-2: Model Description

## 1-2.Safety precautions






Safety precautions in this manual are divided into the following two categories:

 **Danger:** the dangers caused by failure to perform required operation, may result in serious injury or even death;

 **Caution:**the dangers caused by failure to perform required operation, may result in moderate injury or minor injury, and equipment damage;

Process	Type	Explanation
Before installation	 Danger	<ul style="list-style-type: none"> <li>● When unpacking, if control system with water, parts missed or component damaged are found, do not install!</li> <li>● If packing list does not match the real name, do not install!</li> <li>● Gently carry with care, otherwise there is the risk of damage to equipment!</li> <li>● Please do not use the damaged driver or the frequency inverter with missed pieces, otherwise there is the risk of injury!</li> <li>● Do not use your hand to touch the control system components, otherwise there is the risk of electrostatic damage!</li> </ul>
	 Note	<ul style="list-style-type: none"> <li>● Please install the unit on the metal or flame retardant objects; away from combustible material. Failure to do so may cause a fire!</li> <li>● Never twist the mounting bolts of the equipment components, especially the bolt with the red mark!</li> <li>● Do not let the lead wires or screws fall into the driver. Otherwise which may cause damage to the driver!</li> <li>● Keep the driver installed in the place where less vibration, avoid direct sunlight.</li> <li>● When two or more converters are installed in a cabinet, please pay attention to the installation location, ensure the good heat dissipation effect.</li> </ul>
When wiring	 Danger	<ul style="list-style-type: none"> <li>● Must comply with this manual's guidance, any construction shall be performed by a professional electrician, otherwise there would be the unexpected risk !</li> <li>● A circuit breaker must be set between the inverter and the power supply to separate them, otherwise it may cause a fire!</li> </ul>
	 Danger	<ul style="list-style-type: none"> <li>● Verify if power is a zero-energy status before wiring, otherwise there is a risk of electric shock!</li> <li>● The inverter shall be grounded correctly according to standard specifications, otherwise there is a danger of electrical shock!</li> <li>● Ensure that the distribution line meets the regional safety standards of EMC requirements. The diameter of used wire shall refer to the recommendations of this manual. Otherwise it may cause an accident!</li> <li>● Never directly connect braking resistor to the DC bus P(+) and P(-) terminals. Otherwise it may cause a fire!</li> <li>● Encoder must use the shielded wire, and the shielding layer must ensure the <u>single-ended grounded!</u></li> </ul>
Before energizing	 Note	<ul style="list-style-type: none"> <li>● Please confirm whether the input power voltage is same as the inverter rated voltage; wiring positions of power input terminals(R, S, T) and output terminals(U, V, W) are correct or not; and note that if there is a short circuit in the peripheral circuit connected to driver, if the connected lines are tight, otherwise it may cause damage to the driver!</li> <li>● Do not need to perform withstand voltage test for any part of the inverter, this product has been tested before leaving factory.</li> </ul>



		<p>Otherwise it may cause an accident!</p> <ul style="list-style-type: none"> <li>• The inverter's cover plate must be closed before power on. Otherwise it may cause an electric shock!</li> <li>• Wiring of all external accessories must comply with the guidance of this manual, please correctly wiring in accordance with the circuit connection methods described in this manual. Otherwise it may cause an accident!</li> </ul>
	 Danger	
<b>After energizing</b>	 Danger	<ul style="list-style-type: none"> <li>• Do not open cover plate after energizing. Otherwise there is a risk of electric shock!</li> <li>• Do not touch the driver and peripheral circuits with wet hands. Otherwise there is a risk of electric shock!</li> <li>• Do not touch any input and output terminals of the inverter. Otherwise there is a risk of electric shock!</li> <li>• The inverter automatically perform the safety testing for the external strong electrical circuit in the early stages of energizing, therefore never touch the driver terminals(U, V, W) or motor terminals, otherwise there is a risk of electric shock!</li> <li>• If you need to identify the parameters, please pay attention to the danger of injury during motor rotation. Otherwise it may cause an accident!</li> <li>• Please do not change the inverter manufacturer parameters. Otherwise it may cause damage to this unit!</li> </ul>
<b>During operation</b>	 Danger	<ul style="list-style-type: none"> <li>• Do not touch the cooling fan and the discharge resistor to feel the temperature. Otherwise it may cause burns!</li> <li>• Non-professional personnel is not allowed to detect signal when operating. Doing so may cause personal injury or damage to this unit!</li> </ul>
	 Note	<ul style="list-style-type: none"> <li>• When the inverter is operating, you should avoid that objects fall into this unit. Otherwise cause damage to this unit!</li> <li>• Do not start/stop the driver by switching on/off contactor. Doing otherwise may cause damage to this unit!</li> </ul>
<b>When maintaining</b>	 Danger	<ul style="list-style-type: none"> <li>• Do not perform repairs and maintenance for the live electrical equipment. Otherwise there is a risk of electric shock!</li> <li>• The repairs and maintenance task can be performed only when the inverter bus voltage is lower than 36V. Otherwise, the residual charge from capacitor would cause personal injury!</li> <li>• Non-well-trained professional personnel is not allowed to perform repairs and maintenance of inverter. Doing this may cause personal injury or damage to this unit!</li> <li>• After replacing the inverter, parameter settings must be redone, all pluggable plugs can be operated only in the case of powering off!</li> </ul>

### 1-3.Precautions

No.	Type	Explanation
1	Motor insulation inspection	Please perform motor insulation inspection for the first time use, re-use after leaving unused for a long time as well as regular check, in order to prevent damage to the inverter because of the motor's winding insulation failure. Wiring between motor and inverter shall be disconnected, it is recommended that the 500V voltage type megger should be adopted and insulation resistance shall be not less than 5MΩ.
2	Motor thermal protection	If the rated capacity of the selected motor does not match the inverter, especially when the inverter rated power is greater than the motor rated power, be sure to adjust the motor protection

		parameter values inside inverter or install thermal relay in the front of motor for motor protection.
3	Run over power frequency	The inverter output frequency rang is 0Hz to 3200Hz(Max. vector control only supports 300Hz). If the user is required to run at 50Hz or more, please consider the endurance of your mechanical devices.
4	Vibrations of mechanical device	Inverter output frequency may be encountered mechanical resonance point of the load device, you can set jump frequency parameter inside inverter to avoid the case.
5	Motor heat and noise	The inverter output voltage is PWM wave that contains a certain amount of harmonics, so the temperature rise, noise and vibration of motor show a slight higher than frequency power frequency operation.
6	Output side with piezoresistor or capacitor for proving power factor	The inverter output is PWM wave, if the piezoresistor for lightning protection or the capacitor for improving power factor is installed in the output side, which easily cause the inverter instantaneous overcurrent or even cause damage to the inverter. Please do not use.
7	Contact or switch used in the inverter input/output terminals	If contactor is installed between power supply and inverter, the contactor is not allowed to start/stop the inverter. Necessarily need to use the contactor to control the inverter start/stop, the interval should not be less than one hour. Frequent charging and discharging may reduce the service life of the inverter capacitor. If the contactor or switch is equipped between output terminals and motor, the inverter should be turned on/off without output status, otherwise which easily lead to damage to the inverter module.
8	Use other than the rated voltage	PI series inverter is not suitable for use beyond the allowable operating voltage described in this manual, which easily cause damage to the parts inside inverter. If necessary, please use the corresponding transformer to change voltage.
9	Never change 3-phase input to 2-phase input	Never change PI series 3-phase inverter to 2-phase one for application. Otherwise it will lead to malfunction or damage to the inverter.
10	Lightning surge protection	The series inverter is equipped with lightning overcurrent protection device, so it has the ability of self-protection to lightning induction. For the area where lightning is frequent, user should also install the extra protection in the front of the inverter.
11	High altitude and derating application	When the inverter is used in areas over 1000m altitude, it is required to reduce frequency because the thin air will decrease the cooling effect of inverter. Please consult our technician for details on the application.
12	Special use	If the user need to use methods other than the suggested wiring diagram provided in this manual, such as common DC bus, please consult our technician.
13	Precautions for scrap disposal of the inverter	When electrolytic capacitors on the main circuit and printed circuit board as well as plastic parts are burned, it may produce toxic gases. Please disposing as industrial waste.
14	Adaptive motor	1) Standard adaptive motor shall be four-pole asynchronous squirrel-cage induction motor or permanent magnet synchronous motor. Apart from the said motors, please select the inverter according to the motor rated current. 2) The cooling fan and the rotor shaft for non-inverter motor are coaxially connected, the fan cooling effect is reduced when the rotational speed is reduced, therefore, when the motor works in

		<p>overheating occasions, a strong exhaust fan should be retrofitted or replace non-inverter motor with the inverter motor.</p> <p>3) The inverter has built-in the adaptive motor standard parameters, according to the actual situation, please identify motor parameters or accordingly modify the default values to try to meet the actual value, otherwise it will operation affect and protection performance;</p> <p>4) When short-circuit of cable or motor internal will activate the inverter alarm, even bombing. Therefore, firstly perform insulation short-circuit test for the initial installation of the motor and cable, routine maintenance often also need to perform such test. Note that the parts to be tested and the inverter shall be disconnected completely when testing.</p>
15	Others	<p>1) We need to fix cover and lock before power on, so as to avoid the harm to personal safety that is caused by internal injuries of bad capacitors and other components.</p> <p>2) Do not touch internal circuit board and any parts after powering off and within five minutes after keyboard indicator lamp goes out, you must use the instrument to confirm that internal capacitor has been discharged fully, otherwise there is a danger of electric shock.</p> <p>3) Body static electricity will seriously damage the internal MOS field-effect transistors, etc., if there are not anti-static measures, do not touch the printed circuit board and IGBT internal device with hand, otherwise it may cause a malfunction.</p> <p>4) The ground terminal of the inverter (E or <math>\perp</math>) shall be earthed firmly according to the provisions of the National Electrical Safety and other relevant standards. Do not shut down (power off) by pulling switch, and only cut off the power until the motor stopping operation.</p> <p>5) It is required to add the optional input filter attachment so as to meet CE standards.</p>

## 1-4. Scope of applications

- ※ This inverter is suitable for three-phase AC asynchronous motor and permanent magnet synchronous motor.
- ※ This inverter can only be used in those occasions recognized by this company, an unapproved use may result in fire, electric shock, explosion and other accidents.
- ※ If the inverter is used in such equipment (e.g: equipment for lifting persons, aviation systems, safety equipment, etc.) and its malfunction may result in personal injury or even death. In this case, please consult the manufacturer for your application.

**Only the well-trained personnel can be allowed to operate this unit, please carefully read the instructions on safety, installation, operation and maintenance before use.**

**The safe operation of this unit depends on proper transport, installation, operation and maintenance!**

# Chapter 2 Standard specifications

## 2-1. Technical specifications

Model	Rated output power(kW)	Rated input current(A)	Rated output current(A)	Adaptive motor(kW)
AC 1PH 220V(-15%)~240V(+10%)				
ST500 0R7G1	0.75	8.2	4	0.75
ST500 1R5G1	1.5	14	7	1.5
ST500 2R2G1	2.2	23	10	2.2
ST500 004G1	4.0	35	16	4.0
ST500-5R5G1	5.5	50	25	5.5
AC 3PH 220V(-15%)~240V(+10%)				
ST500 0R7G2	0.75	5.3	4	0.75
ST500 1R5G2	1.5	8.0	7	1.5
ST500 2R2G2	2.2	11.8	10	2.2
ST500 004G2	4.0	18.1	16	4
ST500-5R5G2	5.5	28	25	5.5
ST500-7R5G2	7.5	37.1	32	7.5
ST500-011G2	11	49.8	45	11
ST500-015G2	15.0	65.4	60	15.0
ST500-018G2	18.5	81.6	75	18.5
ST500-022G2	22.0	97.7	90	22.0
ST500-030G2	30.0	122.1	110	30.0
ST500-037G2	37.0	157.4	152	37.0
ST500-045G2	45.0	185.3	176	45.0
ST500-055G2	55.0	214	210	55.0
ST500-075G2	75	307	304	75
ST500-093G2	93	383	380	93
ST500-110G2	110	428	426	110
ST500-132G2	132	467	465	132
ST500-160G2	160	522	520	160
AC 3PH 380V(-15%)~440V(+10%)				
ST500 0R7G3	0.75	4.3	2.5	0.75
ST500 1R5G3	1.5	5.0	3.8	1.5
ST500 2R2G3	2.2	5.8	5.1	2.2
ST500 004G3	4.0	10.5	9	4.0
ST500 5R5G3	5.5	14.6	13	5.5
ST500-7R5G3/ST500-011F3	7.5/11	20.5/26	17/25	7.5/11
ST500-011G3/ST500-015F3	11/15	26/35	25/32	11/15
ST500-015G3/ST500-018F3	15/18.5	35/38.5	32/37	15/18.5
ST500-018G3/ST500-022F3	18.5/22	38.5/46.5	37/45	18.5/22
ST500-022G3/ST500-030F3	22/30	46.5/62	45/60	22/30
ST500-030G3/ST500-037F3	30/37	62/76	60/75	30/37
ST500-037G3/ST500-045F3	37/45	76/91	75/90	37/45
ST500 045G3N	45	91	90	45
ST500-045G3/ST500-055F3	45/55	91/112	90/110	45/55
ST500-055G3/ST500-075F3	55/75	112/157	110/150	55/75
ST500-075G3	75	157	150	75

Model	Rated output power(kW)	Rated input current(A)	Rated output current(A)	Adaptive motor(kW)
ST500-093F3	93	180	176	93
ST500-093G3/ST500-110F3	93/110	180/214	176/210	93/110
ST500-110G3/ST500-132F3	110/132	214/256	210/253	110/132
ST500-132G3/ST500-160F3	132/160	256/307	253/304	132/160
ST500-160G3/ST500-187F3	160/187	307/345	304/340	160/187
ST500-187G3/ST500-200F3	187/200	345/385	340/380	187/200
ST500-200G3/ST500-220F3	200/220	385/430	380/426	200/220
ST500-220G3	220	430	426	220
ST500-250F3	250	468	465	250
ST500-250G3/ST500-280F3	250/280	468/525	465/520	250/280
ST500-280G3/ST500-315F3	280/315	525/590	520/585	280/315
ST500-315G3/ST500-355F3	315/355	590/665	585/650	315/355
ST500-355G3/ST500-400F3	355/400	665/785	650/725	355/400
ST500-400G3	400	785	725	400
ST500-450F3	450	883	820	450
ST500-450G3/ST500-500F3	450/500	883/920	820/860	450/500
ST500-500G3/ST500-560F3	500/560	920/1010	860/950	500/560
ST500-560G3/ST500-630F3	560/630	1010/1160	950/1100	560/630
ST500-630G3/ST500-700F3	630/700	1160/1310	1100/1250	630/700
<b>AC 3PH 480V±10%</b>				
ST500 0R7G4	0.75	4.1	2.5	0.75
ST500 1R5G4	1.5	4.9	3.7	1.5
ST500 2R2G4	2.2	5.7	5.0	2.2
ST500 004G4	4.0	9.4	8	4.0
ST500 5R5G4	5.5	12.5	11	5.5
ST500 7R5G4	7.5	18.3	15	7.5
ST500 011F4	11	23.1	22	11
ST500 011G4	11	23.1	22	11
ST500 015F4	15	29.8	27	15
ST500 015G4/ST500 018F4	15/18.5	29.8/35.7	27/34	15/18.5
ST500 018G4/ST500 022F4	18.5/22	35.7/41.7	34/40	18.5/22
ST500 022G4/ST500 030F4	22/30	41.7/57.4	40/55	22/30
ST500 030G4/ST500 037F4	30/37	57.4/66.5	55/65	30/37
ST500 037G4/ST500 045F4	37/45	66.5/81.7	65/80	37/45
ST500 045G4N	45	81.7	80	45
ST500 045G4/ST500 055F4	45/55	81.7/101.9	80/100	45/55
ST500 055G4	55	101.9	100	55
ST500 075F4	75	137.4	130	75
ST500 075G4	75	137.4	130	75
ST500 093F4	93	151.8	147	93
ST500 093G4/ST500 110F4	93/110	151.8/185.3	147/180	93/110
ST500 110G4/ST500 132F4	110/132	185.3/220.7	180/216	110/132
ST500 132G4/ST500 160F4	132/160	220.7/264.2	216/259	132/160
ST500 160G4/ST500 187F4	160/187	264.2/309.4	259/300	160/187
ST500 187G4/ST500 200F4	187/200	309.4/334.4	300/328	187/200
ST500 200G4/ST500 220F4	200/220	334.4/363.9	328/358	200/220
ST500 220G4	220	363.9	358	220

## Chapter 2 Standard specifications

Model	Rated output power(kW)	Rated input current(A)	Rated output current(A)	Adaptive motor(kW)
ST500 250F4	250	407.9	400	250
ST500 250G4/ST500 280F4	250/280	407.9/457.4	400/449	250/280
ST500 280G4	280	457.4	449	280
ST500 315F4	315	533.2	516	315
ST500 315G4/ST500 355F4	315/355	533.2/623.3	516/570	315/355
ST500 355G4/ST500 400F4	355/400	623.3/706.9	570/650	355/400
ST500 400G4	400	706.9	650	400
<b>AC 3PH 690V±10%</b>				
ST500 011G6/ ST500 015F6	11/15	15/20	12/15	11/15
ST500 015G6/ ST500 018F6	15/18.5	20/30	15/20	15/18.5
ST500 018G6/ ST500 022F6	18.5/22	30/35	20/24	18.5/22
ST500 022G6/ ST500 030F6	22/30	35/45	24/33	22/30
ST500 030G6/ ST500 037F6	30/37	45/55	33/41	30/37
ST500 037G6/ ST500 045F6	37/45	55/65	41/50	37/45
ST500 045G6/ ST500 055F6	45/55	65/70	50/62	45/55
ST500 055G6/ ST500 075F6	55/75	70/90	62/85	55/75
ST500 075G6/ ST500 093F6	75/93	90/105	85/102	75/93
ST500 093G6/ ST500 110F6	93/110	105/130	102/125	93/110
ST500 110G6/ ST500 132F6	110/132	130/170	125/150	110/132
ST500 132G6/ ST500 160F6	132/160	170/200	150/175	132/160
ST500 160G6/ ST500 187F6	160/187	200/210	175/198	160/187
ST500 187G6/ ST500 200F6	187/200	210/235	198/215	187/200
ST500 200G6/ ST500 220F6	200/220	235/247	215/245	200/220
ST500 220G6/ ST500 250F6	220/250	247/265	245/260	220/250
ST500 250G6/ ST500 280F6	250/280	265/305	260/299	250/280
ST500 280G6/ ST500 315F6	280/315	305/350	299/330	280/315
ST500 315G6/ ST500 355F6	315/355	350/382	330/374	315/355
ST500 355G6/ ST500 400F6	355/400	382/435	374/410	355/400
ST500 400G6/ ST500 450F6	400/450	435/490	410/465	400/450

Note: (1) ST500 inverter ST500-132G3/ST500-160F3 to ST500-630G3/ST500-700F3 with "R suffix" indicates an integrated DC reactor, such as ST500-160G3R.

(2) The correct frequency converter selection method is: inverter rated output current is more than or equal to the rated current of motor. The difference between the frequency inverter and the rated power of the motor generally is recommended to be no more than two inverter power steps; Large frequency inverter with small motor, must accurately input motor parameters, so the inverter's protection functions can avoid motor overload and damage.

**2-2.Main circuit terminal screw specification**

Model	Main loop screw specification	Fastening torque (Nm)
ST500-5R5G1	M5	2~2.5
ST500-5R5G2	M5	2~2.5
ST500-7R5G2	M5	2~2.5
ST500-7R5G3/ST500-011F3	M5	2~2.5
ST500-011G3/ST500-015F3	M5	2~2.5
ST500-015G3/ST500-018F3	M5	2~2.5
ST500-011G2	M5	2~2.5
ST500-018G3/ST500-022F3	M5	2~2.5
ST500-022G3/ST500-030F3	M5	2~2.5
ST500-015G2	M6	4~6
ST500-018G2	M6	4~6
ST500-030G3/ST500-037F3	M6	4~6
ST500-037G3/ST500-045F3	M6	4~6
ST500-022G2	M8	9~11
ST500-030G2	M8	9~11
ST500-037G2	M8	9~11
ST500-045G3/ST500-055F3	M8	9~11
ST500-055G3/ST500-075F3	M8	9~11
ST500-075G3	M8	9~11
ST500-045G2	M10	18~23
ST500-055G2	M10	18~23
ST500-093F3	M10	18~23
ST500-093G3/ST500-110F3	M10	18~23
ST500-110G3/ST500-132F3	M10	18~23
ST500-075G2	M10	18~23
ST500-132G3/ST500-160F3	M10	18~23
ST500-093G2	M10	18~23
ST500-110G2	M10	18~23
ST500-160G3/ST500-187F3	M10	18~23
ST500-187G3/ST500-200F3	M10	18~23
ST500-200G3/ST500-220F3	M10	18~23
ST500-220G3	M10	18~23
ST500-132G2	M12	32~40
ST500-160G2	M12	32~40
ST500-250F3	M12	32~40
ST500-250G3/ST500-280F3	M12	32~40
ST500-280G3/ST500-315F3	M12	32~40
ST500-315G3/ST500-355F3	M12	32~40
ST500-355G3/ST500-400F3	M12	32~40
ST500-400G3	M12	32~40
ST500-450F3	M12	32~40
ST500-450G3/ST500-500F3	M12	32~40
ST500-500G3/ST500-560F3	M12	32~40
ST500-560G3/ST500-630F3	M12	32~40
ST500-630G3/ST500-700F3	M12	32~40

## 2-3. Standard specifications

Items		Specifications	
Power Input	Rated voltage	AC 1PH 220V(-15%) - 240V(+10%) AC 3PH 220V(-15%) - 240V(+10%) AC 3PH 380V(-15%) - 440V(+10%) AC 3PH 480V(-10%) - 480V(+10%) AC 3PH 690V(-10%) - 690V(+10%)	
	Input frequency	50Hz/60Hz	
	Allowing fluctuations	Voltage continued volatility: $\pm 10\%$	Less than 3% of voltage unbalance rate 3%
Input frequency fluctuation: $\pm 5\%$		Distortion satisfy IEC61800-2 standard	
Control system	Control system	High performance vector control inverter based on DSP	
	Control method	V/F control, vector control W/O PG, vector control W/ PG	
	Automatic torque boost function	Realize low frequency (1Hz) and large output torque control under the V/F control mode.	
	Acceleration/deceleration control	Straight or S-curve mode. Four times available and time range is 0.0 to 6500.0s.	
	V/F curve mode	Linear, square root/m-th power, custom V/F curve	
	Over load capability	G type: rated current 150% - 1 minute, rated current 180% - 2 seconds	
		F type: rated current 120% - 1 minute, rated current 150% - 2 seconds	
	Maximum frequency	1. Vector control: 0 to 300Hz; 2. V/F control: 0 to 3200Hz	
	Carrier Frequency	0.5 to 16kHz; automatically adjust carrier frequency according to the load characteristics.	
	Input frequency resolution	Digital setting: 0.01Hz minimum analog: 0.01Hz.	
	Start torque	G type: 0.5Hz/150% (vector control W/O PG) F type: 0.5Hz/100% (vector control W/O PG)	
	Speed range	1:100 (vector control W/O PG) 1:1000 (vector control W/ PG)	
	Steady-speed precision	Vector control W/O PG: $\leq \pm 0.5\%$ (rated synchronous speed)	
		Vector control W/ PG: $\leq \pm 0.02\%$ (rated synchronous speed)	
	Torque response	$\leq 40\text{ms}$ (vector control W/O PG)	
	Torque boost	Automatic torque boost; manual torque boost(0.1% to 30.0%)	
	DC braking	DC braking frequency: 0.0Hz to max. frequency, braking time: 0.0 to 100.0 seconds, braking current value: 0.0% to 100.0%	
	Jogging control	Jog Frequency Range: 0.00Hz to max. frequency; Jog Ac/deceleration time: 0.0s to 6500.0s	
	Multi-speed operation	Achieve up to 16-speed operation through the control terminal	
	Built-in PID	Easy to realize closed-loop control system for the process control.	
Automatic voltage regulation(AVR)	Automatically maintain a constant output voltage when the voltage of electricity grid changes		
Torque limit and control	"Excavator" feature - torque is automatically limited during the operation to prevent frequent overcurrent trip; the closed-loop vector mode is used to control torque.		
Person alization	Self-inspection of peripherals after power-on	After powering on, peripheral equipment will perform safety testing, such as ground, short circuit, etc.	
	Common DC bus	Multiple inverter can use a common DC bus.	



	function		
	Quick current limiting	The current limiting algorithm is used to reduce the inverter over current probability, and improve whole unit anti-interference capability.	
	Timing control	Timing control function: time setting range (0m to 6500m)	
<b>Running</b>	Input signal	Running method	Keyboard/terminal/communication
		Frequency setting	10 frequency settings available, including adjustable DC (0 to 10V/-10V to 10V), adjustable DC (0 to 20mA), panel setting, etc.
		Start signal	Rotate forward/reverse
		Multi-speed	At most 16-speed can be set (run by using the multi-function terminals or program)
		Emergency stop	Interrupt controller output
		Wobulate run	Process control run
		Fault reset	When the protection function is active, you can automatically or manually reset the fault condition.
		PID feedback signal	Including DC (0 to 10V), DC (0 to 20mA)
	Output Signal	Running status	Motor status display, stop, ac/deceleration, constant speed, program running status.
		Fault output	Contact capacity :normally closed contact 3A/AC 250V, normally open contact 5A/AC 250V, 1A/DC 30V.
		Analog output	Two-way analog output, 16 signals can be selected such as frequency, current, voltage and other, output signal range (0 to 10V / 0 to 20mA).
		Output signal	At most 4-way output, there are 40 signals each way
	Run function	Limit frequency, jump frequency, frequency compensation, auto-tuning, PID control	
	DC current braking	Built-in PID regulates braking current to ensure sufficient braking torque under no overcurrent condition.	
	Running command channel	Three channels: operation panel, control terminals and serial communication port. They can be switched through a variety of ways.	
	Frequency source	Total 10 frequency sources: digital, analog voltage, analog current, multi-speed and serial port. They can be switched through a variety of ways.	
Input terminals	8 digital input terminals, compatible with active PNP or NPN input mode, one of them can be for high-speed pulse input (0 to 100 kHz square wave); 3 analog input terminals for voltage or current input.		
Output terminals	2 digital output terminals, one of them can be for high-speed pulse output(0 to 100kHz square wave); one relay output terminal; 2 analog output terminals respectively for optional range (0 to 20mA or 0 to 10V), they can be used to set frequency, output frequency, speed and other physical parameters.		
<b>Protection function</b>	Inverter protection	Overvoltage protection, undervoltage protection, overcurrent protection, overload protection, overheat protection, overcurrent stall protection, overvoltage stall protection, losting-phase protection (optional), communication error, PID feedback signal abnormalities, PG failure and short circuit to ground protection.	
	IGBT temperature display	Displays current temperature IGBT	

	Inverter fan control		Can be set
	Instantaneous power-down restart		Less than 15 milliseconds: continuous operation. More than 15 milliseconds: automatic detection of motor speed, instantaneous power-down restart.
	Speed start tracking method		The inverter automatically tracks motor speed after it starts
	Parameter protection function		Protect inverter parameters by setting administrator Password and decoding
Display	LED/OLED display keyboard	Running information	Monitoring objects including: running frequency, set frequency, bus voltage, output voltage, output current, output power, output torque, input terminal status, output terminal status, analog AI1 value, analog AI2 value, motor Actual running speed, PID set value percentage, PID feedback value percentage.
		Error message	At most save three error message, and the time, type, voltage, current, frequency and work status can be queried when the failure is occurred.
	LED display		Display parameters
	OLED display		Optional, prompts operation content in Chinese/English text.
	Copy parameter		Can upload and download function code information of frequency converter, rapid replication parameters.
	Key lock and function selection		Lock part or all of keys, define the function scope of some keys to prevent misuse.
	Communication	RS485	The optional completely isolated RS485 communication module can communicate with the host computer.
Environment Product standard	Environment temperature		-10°C to 40°C (temperature at 40°C to 50°C, please derating for use)
	Storage temperature		-20°C to 65°C
	Environment humidity		Less than 90% R.H, no condensation.
	Vibration		Below 5.9m/s <sup>2</sup> (= 0.6g)
	Application sites		Indoor where no sunlight or corrosive, explosive gas and water vapor, dust, flammable gas, oil mist, water vapor, drip or salt, etc.
	Altitude		No need derating below 1000m, please derating 1% every 100 m when the altitude is above 3000m
	Pollution degree		2
	Protection level		IP20
Product standard	Product adopts safety standards.		IEC61800-5-1:2007
	Product adopts EMC standards.		IEC61800-3:2005
Cooling method			Forced air cooling

## Chapter 3 Keyboard

### 3-1.Keyboard description












Figure 3-1:Operation panel display




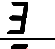
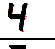
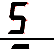
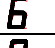
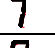
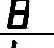
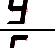
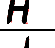
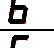
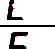

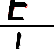
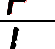
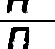
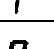
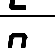
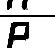
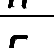
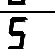
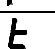
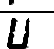
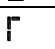

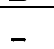
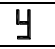



### 3-2.Keyboard Indicators

Indicator flag		Name												
Status lamp	RUN	Running indicator light * ON: the inverter is working * OFF: the inverter stops												
	LOCAL/REMOTE	Command indicator light That is the indicator for keyboard operation, terminal operation and remote operation (communication control) * ON: terminal control working status * OFF: keyboard control working status * Flashing: remote control working status												
	FWD/REV	Forward/reverse running light * ON: in forward status * OFF: in reversal status												
	TUNE/TC	Motor self-learning/Torque control/Fault indicator * ON: in torque control mode * Slow flashing: in the motor tuning status * Quick flashing: in the fault status												
Units combination indicator	HzAV		<table border="1"> <tr> <td>Hz</td> <td>frequency unit</td> </tr> <tr> <td>A</td> <td>current unit</td> </tr> <tr> <td>V</td> <td>voltage unit</td> </tr> <tr> <td>RPM</td> <td>speed unit</td> </tr> <tr> <td>%</td> <td>percentage</td> </tr> </table>	Hz	frequency unit	A	current unit	V	voltage unit	RPM	speed unit	%	percentage	
Hz	frequency unit													
A	current unit													
V	voltage unit													
RPM	speed unit													
%	percentage													

### 3-3. Description of operation panel keys

Sign	Name	Function
	Parameter Setting/Esc Key	* Enter into the modified status of main menu * Esc from functional parameter modification * Esc submenu or functional menu to status menu
	Shift Key	*Choose displayed parameter circularly under running or stop interface; choose parameter's modified position when modify parameter
	Increasing Key	Parameter or function number increasing, set by parameter F6.18.
	Decreasing key	Parameter or function number decreasing, set by parameter F6.19.
	Running key	For starting running in the mode of keyboard control status
	Stop/Reset Key	*For stopping running in the running status; for resetting the operation in fault alarm status. The function of the key is subject to F6.00
	Running key	For starting running in the mode of keyboard control status
	Quick multifunction key	This key function is determined by the function code F6.21.
	Keyboard encoder	* In query status, function parameter increasing or decreasing * In modified status, the function parameter or modified position increasing or decreasing. * In monitoring status, frequency setting increasing or decreasing

### 3-4. Keyboard display and corresponding letters and numbers

Digital display area	Display letters	Corresponding letters	Display letters	Corresponding letters	Display letters	Corresponding letters
		0		1		2
		3		4		5
		6		7		8
		9		A		B
		C		d		E
		F		H		I
		L		N		n
		o		P		r
		S		t		U
		T		.		-
	y					

## 3-5.Examples of parameter settings

### 3-5-1.Instructions on viewing and modifying function code

ST500 inverter's operation pane is three levels menu for parameter setting etc.Three levels: function parameter group (Level 1)→function code(level 2)→function code setting(level 3). The operation is as following:

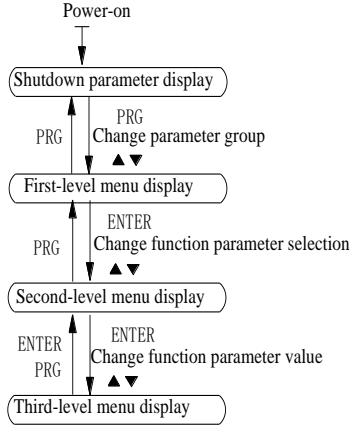
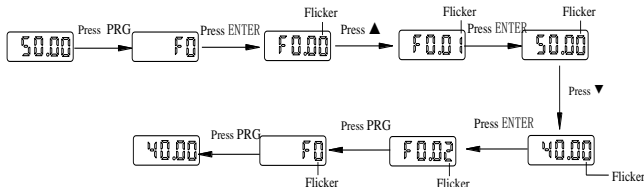


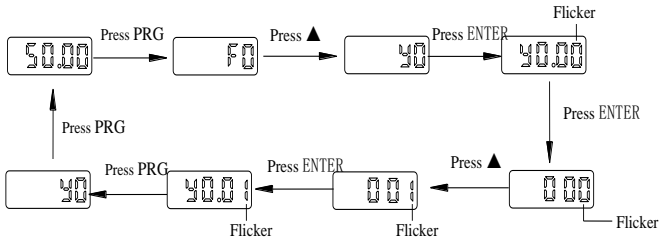
Figure 3-2:Operation processes

Description: Back to the level 2 menu from level 3 menu by PRG key or ENTER key in the level 3 operation status. The differences between the two keys : ENTER will be back to the level 2 menu and save parameter setting before back, and transfer to the next function code automatically; PRG will be back to the level 2 menu directly, not save parameter setting, then back to current function code.

Example 1 Frequency setting to modify parameters  
Set F0.01 from 50.00Hz to 40.00Hz



Example 2 :Restore factory settings




Without blinking digit, the function code can not be modified in the level 3 menu. The reason may be one of the following:

1) The function code can not be modified itself, eg: actual detecting parameters, running record parameters.

2) The function code cannot be modified in the running state. It must be modified while stopped.

### 3-5-2.The way to read parameters in various status

In stop or run status, operate shift key  to display a variety of status parameters respectively. Parameter display selection depends on function code F6.01 (run parameter 1), F6.02 (run parameter 2) and F6.03 (stop parameter 3).

In stop status, there are total 16 stop status parameters that can be set to display/not display: set frequency, bus voltage, DI input status, DO output status, analog input AI1 voltage, analog input AI2 voltage, panel potentiometer input voltage, Actual count value, Actual length value, PLC running step number, Actual speed display, PID settings, high-speed pulse input frequency and reserve, switch and display the selected parameter by pressing key orderly.

In running status, there are 5 running-status parameters:running frequency,setting frequency,bus voltage,output voltage, output current default display, and other display parameters: output power, output torque, DI input status, DO output status, analog input AI1 voltage, analog input AI2 voltage, panel potentiometer input voltage, Actual count value, Actual length value, linear speed, PID settings and PID feedback, etc, their display depends on function code F6.01 and F6.02 switch and display the selected parameter by pressing key orderly.

Inverter powers off and then powers on again, the displayed parameters are the selected parameters before power-off.

### 3-5-3.Password settings

The inverter has password protection. When y0.01 become not zero, it is the password and will be work after exit from function code modified status. Press PRG key again, will display”----”. One must input the correct password to go to regular menu, otherwise, inaccessible.

To cancel the password protection function, first enter correct password to access and then set y0.01 to 0.

### 3-5-4.Motor parameter auto turning

Choose vector control, one must input the motor’s parameters in the nameplate accurately before running the inverter. ST500 series frequency inverter will match the motor’s standard parameters according to its nameplate. The vector control is highly depend on motor’s parameters. The parameters of the controlled motor must be entered accurately for good control performance.

Motor parameter auto tuning steps are as follows:

Firstly select command source (F0.11=0) as the comment channel for operation panel, then input the following parameters according to the actual motor parameters (selection is based on the current motor):

Motor Selection	Parameters
Motor	b0.00: motor type selection b0.01: motor rated power b0.02: motor rated voltage b0.03: motor rated current b0.04: motor rated frequency b0.05: motor rated speed

For asynchronous motors

If the motor can NOT completely disengage its load, please select 1 (asynchronous motor parameter static auto tuning) for b0.27, and then press the RUN key on the keyboard panel.

If the motor can completely disengage its load, please select 2 (asynchronous motor parameter comprehensive auto tuning) for b0.27, and then press the RUN key on the keyboard panel, the inverter will automatically calculate the motor’s following parameters:

Motor Selection	Parameters
Motor	b0.06:asynchronous motor stator resistance b0.07: asynchronous motor rotor resistance b0.08:asynchronous motor leakage inductance b0.09: asynchronous motor mutual inductance b0.10: asynchronous motor no-load current

Complete motor parameter auto tuning

## Chapter 4 Installation and commissioning

### 4-1. Use of the environment

- (1) Environmental temperature  $-10^{\circ}\text{C}$  to  $50^{\circ}\text{C}$ . Above  $40^{\circ}\text{C}$ , the capacity will decrease 3% by each  $1^{\circ}\text{C}$ . It is not advisable to use inverter above  $50^{\circ}\text{C}$ .
- (2) Prevent electromagnetic interference, and away from interference sources.
- (3) Prevent the ingress of droplets, vapor, dust, dirt, lint and metal fine powder.
- (4) Prevent the ingress of oil, salt and corrosive gases.
- (5) Avoid vibration.
- (6) Avoid high temperature and humidity or exposure to rain, humidity shall be less than 90% RH (non-condensing).
- (7) Altitude below 1000 meters, otherwise degrading 1% per 100m
- (8) Never use in the dangerous environment of flammable, combustible, explosive gas, liquid or solid.

### 4-2. Installation direction and space

ST500 series inverter according to different power rating, the requirements of around installation reserve space is different, specifically as shown below:

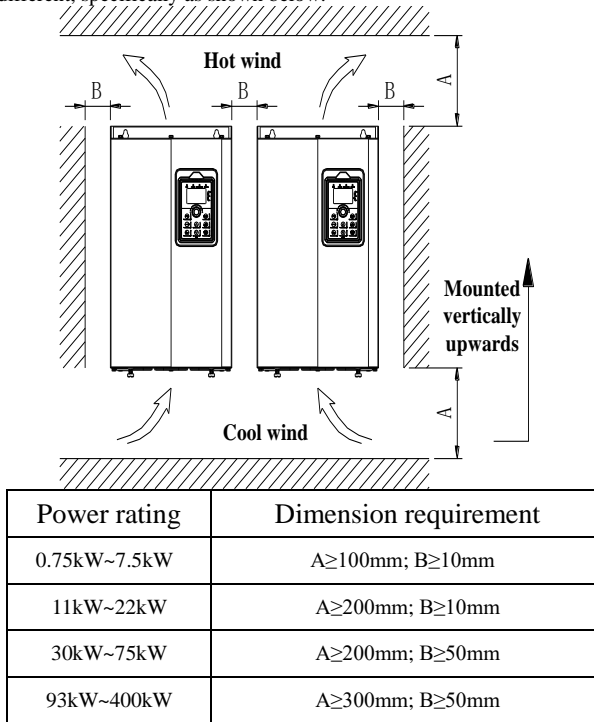


Figure 4-1: ST500 Series Each power level installation space requirement

ST500 Series frequency inverter heat radiator circulated from bottom to top, when more than one inverter work together, usually mounted side by side. In the case of the need to install them by upper and lower rows, due to the heat of the lower inverters rising to the upper equipment, fault maybe caused, heat insulation deflector and other objects to be installed.

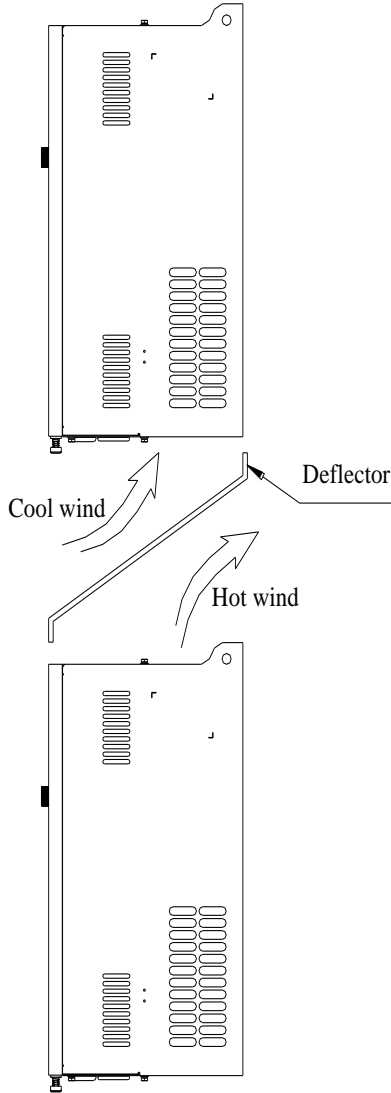


Figure 4-2: Heat insulation deflector up and down installation diagram

### 4-3. Wiring Diagram

Frequency inverter wiring is divided by main circuit and control circuit. Users must properly connect frequency inverter in accordance with the wiring connection diagram showing below.



### 4-3-1. Wiring diagram

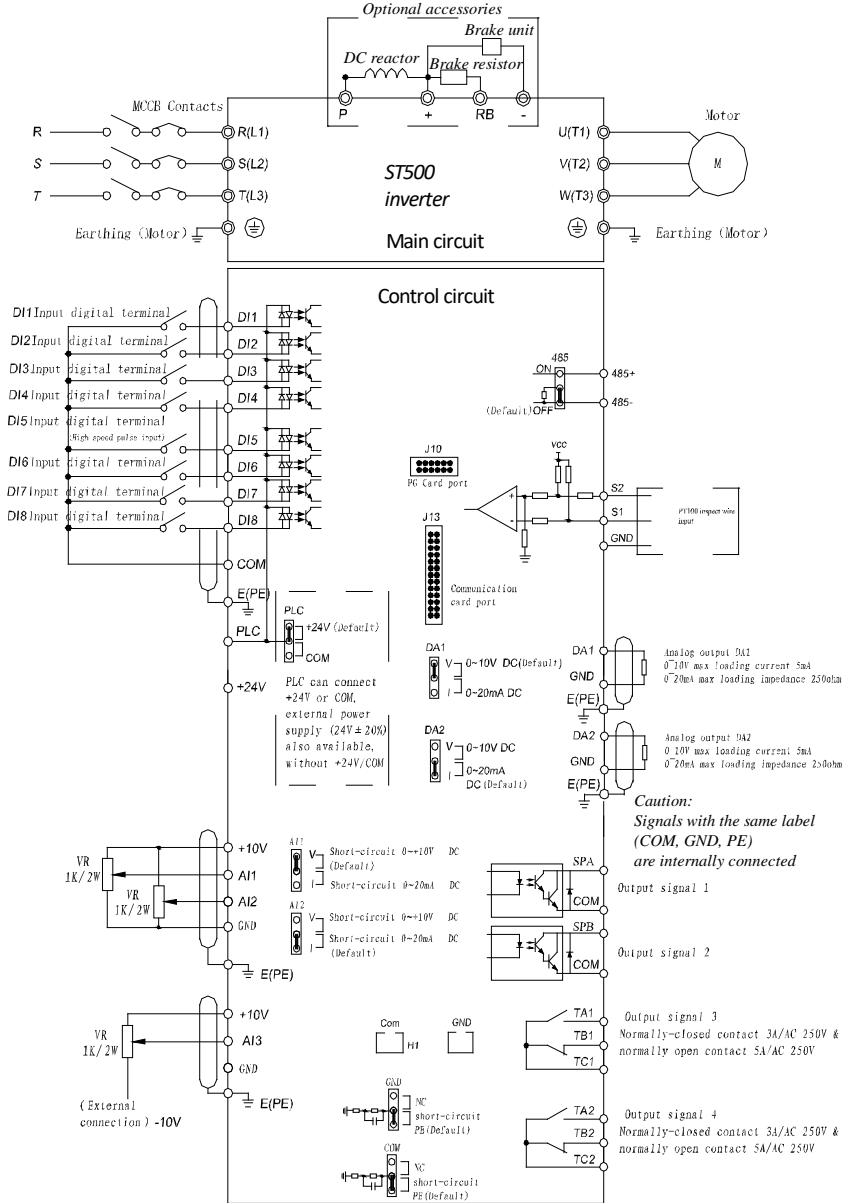


Figure 4-3: Wiring diagram

## 4-4. Main circuit terminal

### 4-4-1. Main circuit terminal arrangement

1. 0.75kW~4kW G3 main circuit terminal

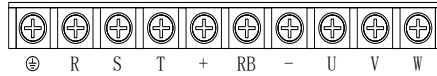


Figure 4-4: 0.75kW~4kW G3 main circuit terminal

2. 5.5kW~11kW G3 main circuit terminal

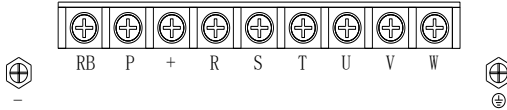


Figure 4-5: 5.5kW~11kW G3 main circuit terminal

3. 15kW G3 main circuit terminal

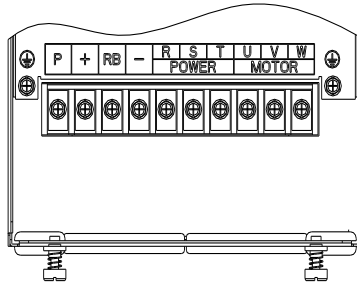


Figure 4-6: 15kW G3 main circuit terminal

4. 18.5kW~22kW G3 main circuit terminal

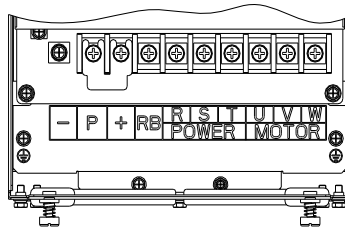


Figure 4-7: 18.5kW~22kW G3 main circuit terminal

5. 30kW~37kW G3 main circuit terminal

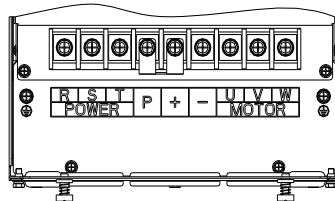


Figure 4-8: 30kW~37kW G3 main circuit terminal

6. 45kW~75kW G3 main circuit terminal

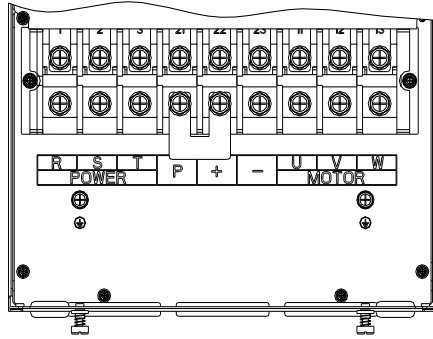


Figure 4-9: 45kW~75kW G3 main circuit terminal

7.93kW~110kW G3 main circuit terminal

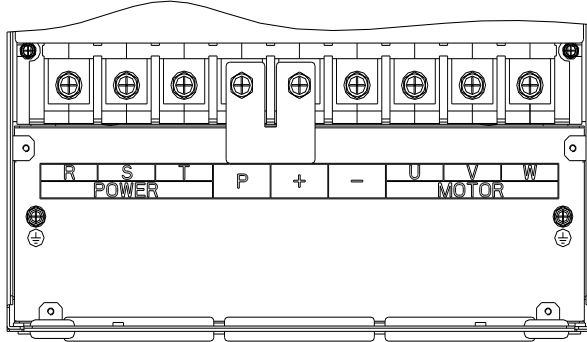


Figure 4-10: 93kW~110kW G3

8.132kW main circuit terminal

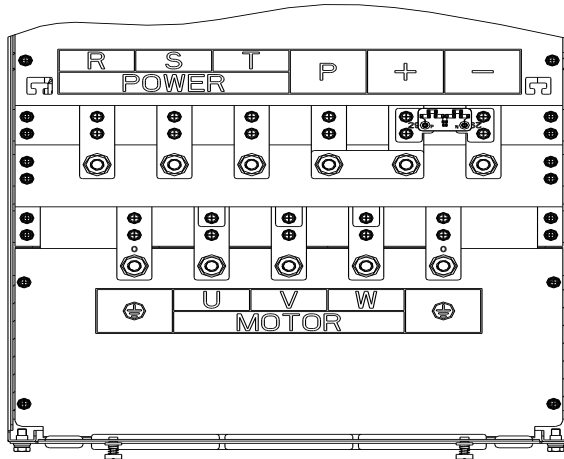


Figure 4-11: 132kW G3 main circuit terminal

9.160kW~220kW G3 main circuit terminal

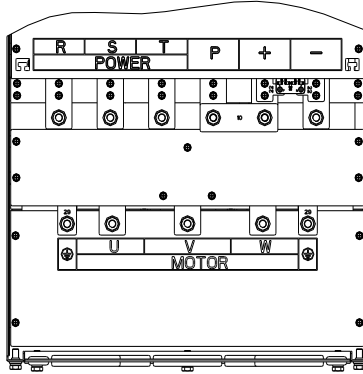


Figure 4-12: 160kW~220kW G3 main circuit terminal

10.250kW~400kW G3 main circuit terminal

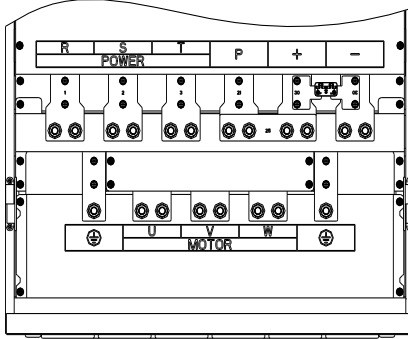


Figure 4-13: 250kW~400kW G3 main circuit terminal

11.450kW~630kW G3 main circuit terminal

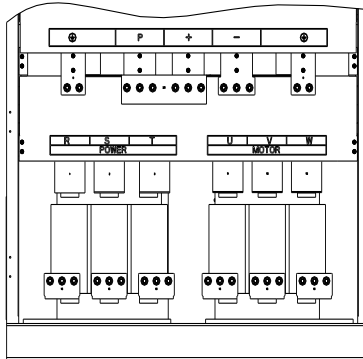




Figure 4-14: 450kW~630kW G3 main circuit terminal

Note: P/+ is shorted in standard configuration; if external DC reactor is to be connected, firstly disconnect the shorting block and then connect the reactor.

## 4-4-2. Function description of main circuit terminal

Terminal	Name	Explain
R	Inverter input terminals	Connect to three-phase power supply, single-phase connects to R, T only (S has no screw)
S		
T		
	Ground terminals	Connect to ground
P, RB	Braking resistor terminals	Connect to braking resistor
U	Output terminals	Connect to three-phase motor  Never connect to a single-phase motor
V		
W		
+, -	DC bus output terminals	Connect to braking unit
P, +	DC reactor terminals	Connect to DC reactor (removing the shorting block)

## 4-5. Control circuit terminals

### 4-5-1. Control circuit terminals arrangement

#### 1. Control panel control circuit terminals

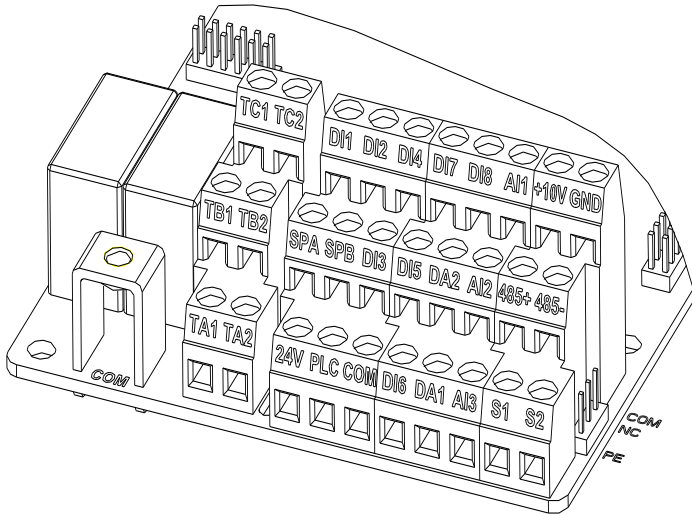


Figure 4-15: Control panel control circuit terminals

### 4-5-2. Description of control circuit terminals

Category	Symbol	Name	Function
Power supply	+10V-GND	+10V power supply	Output +10V power supply, maximum output current: 10mA Generally it is used as power supply of external potentiometer, potentiometer resistance range: 1k $\Omega$ (one such potentiometer only) to 5k $\Omega$ (several allowed)
	+24V-COM	+24V power supply	Output +24V power supply, generally it is used as power supply of digital input and output terminals and external sensor. Maximum output current: 200mA

Category	Symbol	Name	Function
	PLC	External power input terminal	To use an external signal when driving, connect PLC to an external power supply and please unplug the PLC jumper. Factory default is PLC jumper set to internal +24V connection..
Analog input	AI1-GND	Analog input terminal 1	1.Input range: (DC <b>0V to 10V/0</b> to 20mA), depends on the selected AI1 jumper on control panel. 2.Input impedance: 20kΩ with voltage input, 500Ω with current input.
	AI2-GND	Analog input terminal 2	1.Input range: (DC 0V to 10V/ <b>0 to 20mA</b> ), depends on the selected AI2 jumper on control panel. 2.Input impedance: 20kΩ with voltage input, 500Ω with current input.
	AI3-GND	Analog input terminal 3	1. Input range: DC -10V to +10V 2. Voltage input impedance: 20kΩ; 3. AI3 reference potential can be GND or -10V.
Digital input	DI1	Multi-function digital input 1	1. Optocoupler compatible bipolar input, determined by the setting of the jumper PLC; 2. Input impedance: 3.3kΩ 3. Level input voltage range is 19.2~28.8V. Note: DI5 input impedance is 1.65k.
	DI2	Multi-function digital input 2	
	DI3	Multi-function digital input 3	
	DI4	Multi-function digital input 4	
	DI5	Multi-function digital input 5	
	DI6	Multi-function digital input 6	
	DI7	Multi-function digital input 7	
	DI8	Multi-function digital input 8	
	DI5	High-speed pulse input terminal	Except the function of DI1 to DI4, DI6 to DI8, DI5 can also be used as high-speed pulse input channel. Maximum input frequency: 100kHz
Analog output	DA1-GND	Analog output 1	The selection of DA1 jumper on control panel determines voltage or current output. Output voltage range: <b>0V to 10V</b> , output current range: 0mA to 20mA
	DA2-GND	Analog output 2	The selection of DA2 jumper on control panel determines voltage or current output. Output voltage range: 0V to 10V, output current range: <b>0mA to 20mA</b>
Digital output	SPA-COM	Digital output 1	Opto-coupler isolation, bipolar open collector output Output voltage range: 0V to 24V , output current range: 0mA to 50mA
	SPB-COM	Digital output 2	
	SPB-COM	High-speed pulse output	Subject to function code (F2.00) "SPB terminal output mode selection" As a high-speed pulse output, the highest frequency is up to 100kHz.
Relay output	TA1-TC1	Normally open terminals	Contactor drive capacity: normally closed contact 3A/AC 250V, normally open contact 5 A/AC 250V, COSφ = 0.4.
	TB1-TC1	Normally closed terminals	

Category	Symbol	Name	Function
Motor temperature inspection input	S1- S2- GND	PT100 inspect wire input	PT100 temperature sensor. Note: such as PT100 three detection line, with a universal table test, to find two of the detection line is 0 after the one received S2 terminal, the other received a GND; the remaining one received S1 terminal.
Built-in RS485	485+	485 differential signal + terminal	485 communication interface, 485 differential signal terminal, use twisted-pair or shielded wire connect to the standard 485 communication interface
	485-	485 differential signal - terminal	“485” jumper in the control panel to decide whether to connect the termination resistance (default OFF)
Auxiliary interface	J13	communication interface	CANbus or Profibus-DP card, 26-pin terminal
	J10	PG card interface	12-pin terminal
	GND	GND ground interface jumper	GND jumper decides whether to connect PE, improving the inverter anti-interference
	COM	COM ground interface jumper	COM jumper decides whether to connect PE, improving the inverter anti-interference
	H1	COM Terminal interface	Additional screw terminal for COM
	GND	GND Terminal interface	Additional screw terminal for GND

Signal input terminal circuit

For switch input and output signal transmission, generally use shielded cable and wiring short distance as much as possible, good grounding and shielding layer on the inverter side, try not to use over 20m transmission distance. Drive in active way, elected to the power of crosstalk necessary filtering measures are taken, generally recommend that choose dry contact control mode.

Wiring control cable should be kept from the main circuit and high voltage lines (such as the power cord, motor connecting line, relay or contactor) more than 20cm distance, and to avoid high voltage lines parallel to and can't be avoided and the high voltage lines cross, the proposal USES vertical wiring way, in order to prevent the misoperation caused by disturbance frequency converter.

Dry contact mode:

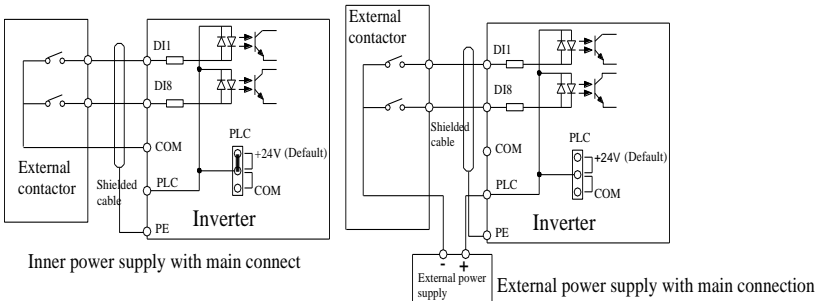
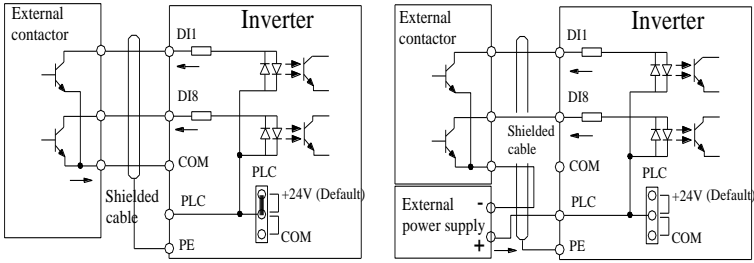


Figure 4-16: Signal input terminal circuit, dry contact mode

Note: using an external power supply, PLC and 24V jumper cap must be removed, otherwise it will damage the product.

**Open collector NPN connect wire:**

When the input signal from the NPN transistor, according to the use of power supply, please set the + 24 V and PLC jumper cap according to the figure.



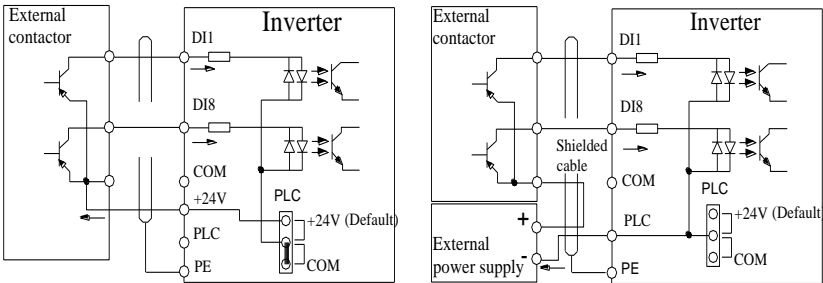
Inner power NPN connect mode

External power supply NPN connect mode

Figure 4-17: Signal input terminal wiring diagram, open collector NPN connection mode

Note: using an external power supply, PLC and 24 v jumper cap must be removed, otherwise it will damage the product.

**Open collector PNP connection mode:**



Inner power PNP connect mode

External power supply PNP connect mode

Figure 4-18: Signal input terminal wiring diagram, open collector PNP connection mode

Note: using an external power supply, PLC and 24 v jumper cap must be removed, otherwise it will damage the product.

**4-6. Wiring Precautions**

<p><b>⚠ Danger</b></p> <p>Make sure that the power breaker switch is in the OFF state before wiring operation, or electrical shock may occur!                  Wiring must be performed by a professional trained personnel, or this may cause damage to the equipment and personal injury!                  Must be grounded firmly, otherwise there is a danger of electric shock or fire hazard!</p>
<p><b>⚠ Note</b></p> <p>Make sure that the input power is consistent with the rated value of inverter, otherwise this may cause damage to the inverter!                  Make sure that the motorrated voltage matches the inverter, otherwise this may cause damage to the motor or activate the inverter protection!                  Do not connect power supply to U, V, W terminals, otherwise this will cause damage to the inverter which is not covered under any warranty!                  Do not directly connect braking resistor to DC bus (P), (+) terminals, otherwise which may cause a fire!</p>

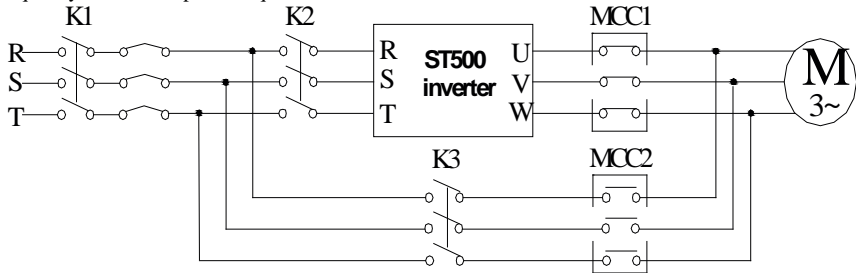


- ※ The U,V,W output end of inverter can not install phase advancing capacitor or RC absorbing device. The inverter input power must be cut off when replacing the motor
- ※ Do not let metal chips or wire ends drop into inside the inverter when wiring, otherwise this may cause malfunction to the inverter.
- ※ Disconnect motor or switch power-frequency power supply only when the inverter stops output
- ※ In order to minimize the effects of electromagnetic interference, it is recommended that a surge absorption device shall be installed additionally when electromagnetic contactor and relay is closer from the inverter.
- ※ External control lines of inverter shall adopt isolation device or shielded wire.
- ※ In addition to shielding, the wiring of input command signal should also be aligned separately, it is best to stay away from the main circuit wiring.
- ※ If the carrier frequency is less than 3KHz, the maximum distance between the inverter and the motor should be within 50 meters; if the carrier frequency is greater than 4KHz, the distance should be reduced appropriately, it is best to lay the wiring inside metal tube.
- ※ When the inverter is additionally equipped with peripherals (filter, reactor, etc.), firstly measure its insulation resistance to ground by using 1000 volt megger, so as to ensure the measured value is no less than 4 megohms.
- ※ When the inverter need to be started frequently, do not directly turn power off, only the control terminal or keyboard or RS485 operation command can be used to control the start/stop operation, in order to avoid damage to the rectifier bridge.
- ※ To prevent the occurrence of an accident, the ground terminal ( $\perp$ ) must be earthed firmly (grounding impedance should be less than 10 ohms), otherwise the leakage current will occur.
- ※ The specifications on wires used by the main circuit wiring shall comply with the relevant provisions of the National Electrical Code.
- ※ The motor's capacity should be equal to or less than the inverter's capacity.

#### 4-7.Spare Circuit

When the inverter occurs the fault or trip, which will cause a larger loss of downtime or other unexpected faults. In order to avoid this case from happening, please additionally install spare circuit to ensure safety.

Note: Electrical diagram MCC1 and MCC2 interlock ac contactor; Spare circuit must be confirmed in advance and test running characteristics, make sure that the power frequency and frequency conversion phase sequence



MCC1 & MCC2 interlocking AC contactor

Figure 4-19: Spare Circuit electrical diagram

### 4-8.Commissioning

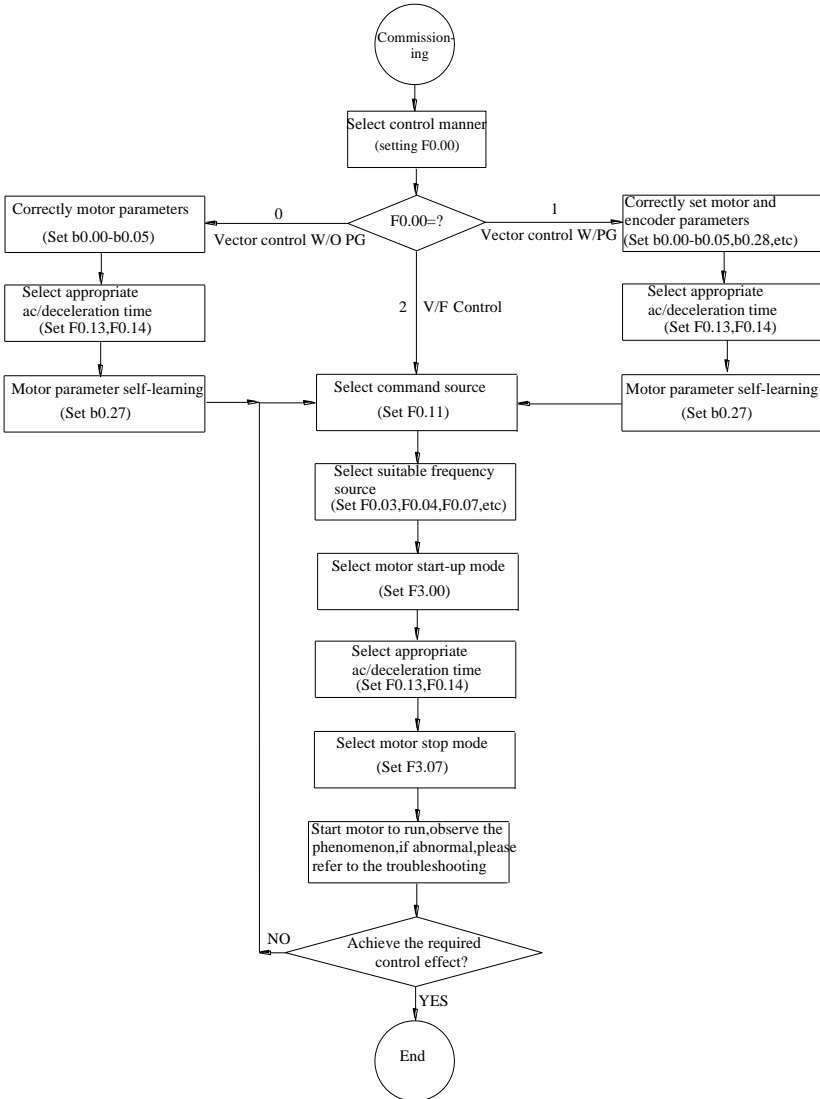


Figure 4-20: Commissioning

- Firstly confirm that AC input power supply voltage shall be within inverter rated input voltage range before connecting power supply to the inverter.
- Connect power supply to the R, S and T terminals of the inverter (1-phase only R and T)
- Connect 3-phase motor to the U, V and W terminals of the inverter.
- Select the appropriate operation control method.

# Chapter 5 Function parameter

## 5-1.Menu grouping

Note:

“★”: In running status, can not modify the parameter setting

“●”: The actual testing data, can not be modified

“☆”: In stop and run statuses, both can be changed;

“▲”: “Factory parameter”, no change about it.

“\_” means the factory parameter is related to power or model. Please check the details in the involved parameter introduction.

Change limit refers to whether the parameters are adjustable.

y0.01 is used for parameters protection password. Parameter menu can be enter into only after inputting the right password in the function parameter mode or user change parameter mode. When the y0.01 set to 0, the password is canceled.

Parameter menu is not protected by password under user customized parameters mode.

F group is the basic function parameters, E group is to enhance function parameters, b group is a function of motor parameters,d group is the monitoring function parameters.

Code	Parameter name	Functional Description
d0	Monitoring function group	Monitoring frequency, current, etc
F0	Basic function group	Frequency setting, control mode, acceleration and deceleration time
F1	Input terminals group	Analog and digital input functions
F2	Output terminals group	Analog and digital output functions
F3	Start and stop control group	Start and stop control parameters
F4	V/F control parameters	V/F control parameters
F5	Vector control parameters	Vector control parameters
F6	Keyboard and display	To set key and display function parameters
F7	Auxiliary function group	To set Jog, jump frequency and other auxiliary function parameters
F8	Fault and protection	To set fault and protection parameters
F9	Communication parameter group	To set MODBUS communication function
FA	Torque control parameters	To set parameters under torque control mode
Fb	Control optimization parameters	To set parameters of optimizing the control performance
FC	Extend parameters group	Special application parameter settings
E0	Wobblulate, fixed-length and counting	To set Wobblulate, fixed-length and counting function parameters
E1	Multi-stage command, simple PLC	Multi-speed setting, PLC operation
E2	PID function group	To set Built-in PID parameters
E3	Virtual DI, Virtual DO	Virtual I/O parameter setting

b0	Motor parameters	To set motor parameter
y0	Function code management	To set password, parameter initialization and parameter group display
y1	Fault query	Fault message query

**5-1-1.d0Group - Monitoring function group**

No.	Code	Parameter name	Setting range	Factory setting
0.	d0.00	Running frequency	Frequency converter theory	0.01Hz
1.	d0.01	Set frequency	Actual set frequency	0.01Hz
2.	d0.02	DC bus voltage	Detected value for DC bus voltage	0.1V
3.	d0.03	output voltage	Actual output voltage	1V
4.	d0.04	output current	Effective value for Actual motor current	0.01A
5.	d0.05	output power	Calculated value for motor output power	0.1kW
6.	d0.06	output torque	Motor output torque percentage	0.1%
7.	d0.07	DI input status	DI input status	-
8.	d0.08	DO output status	DO output status	-
9.	d0.09	AI1 voltage (V)	AI1 input voltage value	0.01V
10.	d0.10	AI2 voltage (V)	AI2 input voltage value	0.01V
11.	d0.11	AI3 voltage (V)	AI3 input voltage value	0.01V
12.	d0.12	Count value	Actual pulse count value in counting function	-
13.	d0.13	Length value	Actual length in fixed length function	-
14.	d0.14	Actual operating speed	Motor actual running speed	-
15.	d0.15	PID setting	Reference value percentage when PID runs	%
16.	d0.16	PID feedback	Feedback value percentage when PID runs	%
17.	d0.17	PLC stage	Stage display when PLC runs	-
18.	d0.18	High-speed pulse input frequency	High-speed pulse input frequency display, unit: 0.01Khz	0.01kHz
19.	d0.19	Feedback speed	Actual output frequency of converter unit: 0.1Hz/0.01Hz depending on F0.02	0.01Hz
20.	d0.20	Remaining run time	Remaining run time display, it is for timing run control	0.1Min

21.	d0.21	Linear speed	Show the line speed of DI5 high speed pulse sampling, according to the actual sample pulse number per minute and E0.07, calculate the line speed value.	1m/Min
22.	d0.22	Current power-on time	Total time of current inverter power-on	Min
23.	d0.23	Current run time	Total time of current inverter run	0.1Min
24.	d0.24	HDI (DI5) impulse frequency	HDI (DI5) High-speed impulse input frequency display, unit: 1Hz	1Hz
25.	d0.25	Communication set value	Frequency, torque or other command values set by communication port	0.01%
26.	d0.26	Encoder feedback speed	PG feedback speed, to an accuracy of 0.01Hz	0.01Hz
27.	d0.27	Master frequency display	Frequency set by F0.03 master frequency setting source	0.01Hz
28.	d0.28	Auxiliary frequency display	Frequency set by F0.04 auxiliary frequency setting source	0.01Hz
29.	d0.29	Command torque (%)	Observe the set command torque under the torque control mode	0.1%
30.	d0.30	Reserved		
31.	d0.31	Synchro rotor position	Synchro rotor position angle	0.0°
32.	d0.32	Resolver position	Rotor position when rotary transformer is used as a speed feedback	-
33.	d0.33	ABZ position	Position information calculated from when ABZ incremental feedback encoder is adopted	0
34.	d0.34	Z signal counter	Encoder Z-phase signal count	-
35.	d0.35	Inverter status	Display run, standby and other statuses	-
36.	d0.36	Inverter type	1.G type (constant torque load type) 2.F type (fans/pumps load type)	-
37.	d0.37	AI1 voltage before correction	Input voltage value before AI1 linear correction	0.001V
38.	d0.38	AI2 voltage before correction	Input voltage value before AI2 linear correction	0.001V
39.	d0.39	AI3 voltage before correction	Input voltage value before AI3 linear correction	0.001V
40.	d0.40	Reserved		
41.	d0.41	motor temperature inspection function	PT100 inspect motor temperature value	0°C

**5-1-2.F0 Group -Basic function group**

No.	Code	Parameter name	Setting range	Factory setting	Change
42.	F0.00	Motor control manner	0: Vector control W/O PG 1: Vector control W/ PG 2: V/F control	2	★
43.	F0.01	Keyboard set frequency	0.00Hz to F0.19 (maximum frequency)	50.00Hz	☆
44.	F0.02	Frequency command resolution	1: 0.1Hz; 2: 0.01Hz	2	★
45.	F0.03	Frequency source master setting	0 to 10	1	★
46.	F0.04	Frequency source auxiliary setting	0 to 10	2	★
47.	F0.05	Reference object selection for frequency source auxiliary setting	0. relative to maximum frequency 1. relative to master frequency source 1 2. relative to master frequency source 2	0	☆
48.	F0.06	Frequency source auxiliary setting range	0% to 150%	100%	☆
49.	F0.07	Frequency source superimposed selection	Units digit: frequency source selection Tens digit: arithmetic relationship of master and auxiliary for frequency source	00	☆
50.	F0.08	Frequency source offset frequency when superimposing	0.00Hz to F0.19(maximum frequency)	0.00Hz	☆
51.	F0.09	Shutdown memory selection for digital set frequency	0: W/O memory 1: With memory	1	☆
52.	F0.10	Frequency command UP / DOWN reference when running	0: Running frequency 1: Set frequency	0	★
53.	F0.11	Command source selection	0.Keyboard control (LED off) 1.Terminal block control (LED on) 2.Communications command control (LED flashes) 3. Keyboard control+ Communications command control 4. Keyboard control+ Communications command control+ Terminal block control	0	☆
54.	F0.12	Binding frequency source for	Units digit: binding frequency	000	☆

		command source	source selection for operation panel command Tens digit: terminal command binding frequency source selection (0 to 9, same as units digit) Hundreds digit: communication command binding frequency source selection (0 to 9, same as units digit)		
55.	F0.13	Acceleration time 1	0.00s to 6500s	Depends on models	☆
56.	F0.14	Deceleration time 1	0.00s to 6500s	Depends on models	☆
57.	F0.15	Ac/Deceleration time unit	0:1 second;1:0.1 second; 2:0.01 second	1	★
58.	F0.16	Ac/deceleration time reference frequency	0: F0.19(maximum frequency) 1: Set frequency 2: 100Hz	0	★
59.	F0.17	Carrier frequency adjustment as per temperature	0: NO; 1: YES	0	☆
60.	F0.18	Carrier Frequency	0.5kHz to 16.0kHz	Depends on models	☆
61.	F0.19	Maximum output frequency	50.00Hz to 3200.0Hz	50.00Hz	★
62.	F0.20	Upper limit frequency source	0: F0.21 setting 1: AI1 analog quantity setting 2: AI2 analog quantity setting 3: Panel encoder setting 4: High-speed pulse setting 5: communications reference 6: AI3 analog quantity setting	0	★
63.	F0.21	Upper limit frequency	F0.23 (lower limit frequency) to F0.19(maximum frequency)	50.00Hz	☆
64.	F0.22	Upper limit frequency offset	0.00Hz to F0.19 (maximum frequency)	0.00Hz	☆
65.	F0.23	Lower limit frequency	0.00Hz to F0.21 (upper limit frequency)	0.00Hz	☆
66.	F0.24	Running direction	0:same direction 1: opposite direction	0	☆
67.	F0.25	Reserve			
68.	F0.26	AI Simulation accuracy	0: 0.01Hz; 1: 0.05Hz; 2: 0.1Hz; 3: 0.5Hz	1	☆
69.	F0.27	GF type	1.G type (constant torque load	-	●

			type) 2.F type (fans/pumps load type)		
--	--	--	--	--	--

### 5-1-3.F1 Group - Input terminals group

No.	Code	Parameter name	Setting range	Factory setting	Change
70.	F1.00	DI1 terminal function selection	0 to 51	1	★
71.	F1.01	DI2 terminal function selection		2	★
72.	F1.02	DI3 terminal function selection		8	★
73.	F1.03	DI4 terminal function selection		9	★
74.	F1.04	DI5 terminal function selection		12	★
75.	F1.05	DI6 terminal function selection		13	★
76.	F1.06	DI7 terminal function selection		0	★
77.	F1.07	DI8 terminal function selection		0	★
78.	F1.08	Undefined			
79.	F1.09	Undefined			
80.	F1.10	Terminal command mode	0: Two-wire type 1 1: Two-wire type 2 2: Three-wire type 1 3: Three-wire type 2	0	★
81.	F1.11	Terminal UP/DOWN change rate	0.001Hz/s to 65.535Hz/s	1.000Hz/s	☆
82.	F1.12	Minimum input for AIC1	0.00V to F1.14	0.30V	☆
83.	F1.13	F1.12corresponding setting	-100.0% to +100.0%	0.0%	☆
84.	F1.14	Maximum input for AIC1	F1.12 to +10.00V	10.00V	☆
85.	F1.15	F1.14corresponding setting	-100.0% to +100.0%	100.0%	☆
86.	F1.16	Minimum input for AIC2	0.00V to F1.18	0.00V	☆
87.	F1.17	F1.16corresponding setting	-100.0% to +100.0%	0.0%	☆
88.	F1.18	Maximum input for AIC2	F1.16 to +10.00V	10.00V	☆
89.	F1.19	F1.18corresponding setting	-100.0% to +100.0%	100.0%	☆
90.	F1.20	Minimum input for AIC3	-10.00V to F1.22	0.00V	☆
91.	F1.21	F1.20corresponding setting	-100.0% to +100.0%	0.0%	☆
92.	F1.22	Maximum input for AIC 3	F1.20 to +10.00V	10.00V	☆
93.	F1.23	F1.22corresponding setting	-100.0% to +100.0%	100.0%	☆
94.	F1.24	AI curve selection	Units digit: All curve selection	321	☆



			Tens digit: AI2 curve selection Hundreds digit: AI3 curve selection		
95.	F1.25	Setting selection for AI input	Units digit: setting selection for AI1 less than minimum input 0: corresponding to minimum setting 1: 0.0% Tens digit: setting selection for AI2 less than minimum input, ditto Hundreds digit: setting selection for AI3 less than minimum input(0 to 1,ditto)	000	☆
96.	F1.26	HDI Minimum pulse input	0.00kHz to F1.28	0.00kHz	☆
97.	F1.27	F1.26 corresponding setting	-100.0% to +100.0%	0.0%	☆
98.	F1.28	HDI Maximum input	F1.26 to 100.00kHz	50.00kHz	☆
99.	F1.29	F1.28 corresponding setting	-100.0% to +100.0%	100.0%	☆
100.	F1.30	DI filter time	0.000s to 1.000s	0.010s	☆
101.	F1.31	AI1 filter time	0.00s to 10.00s	0.10s	☆
102.	F1.32	AI2 filter time	0.00s to 10.00s	0.10s	☆
103.	F1.33	AI3 filter time	0.00s to 10.00s	0.10s	☆
104.	F1.34	HDI Filter time	0.00s to 10.00s	0.00s	☆
105.	F1.35	DI terminal valid mode selection 1	Units digit: DI1 0: high level active 1: low level active Tens digit: DI2 Hundreds digit: DI3 Thousands digit: DI4 Ten thousands digit: DI5	00000	★
106.	F1.36	DI terminal valid mode selection 2	Units digit: DI6 0: high level active 1: low level active Tens digit: DI7 Hundreds digit: DI8 Thousands digit: DI9 Ten thousands digit: DI10	00000	★
107.	F1.37	DI1 delay time	0.0s to 3600.0s	0.0s	★
108.	F1.38	DI2 delay time	0.0s to 3600.0s	0.0s	★
109.	F1.39	DI3 delay time	0.0s to 3600.0s	0.0s	★
110.	F1.40	Define the input terminal repeat	0:unrepeatable 1:repeatable	0	★
111.	F1.41	Keyboard encoder X1	0~100.00%	0.00%	☆

112.	F1.42	Keyboard encoder X2	0~100.00%	100.00%	☆
113.	F1.43	Keyboard encoder set value	0~100.00%	-	☆
114.	F1.44	Keyboard encoder X1 corresponding value Y1	-100.00%~+100.00%	0.00%	☆
115.	F1.45	Keyboard encoder X2 corresponding valueY2	-100.00%~+100.00%	100.00%	☆
116.	F1.46	Keyboard encoder control	Bits: 0: Power down protection 1: Power down zero clear Ten bits: 0: Stop keep 1: Stop order zero clear 2: Stop over zero clear Hundred bits: reserve Thousand bits: reserve	00	☆

**5-1-4.F2 Group - Output terminals group**

No.	Code	Parameter name	Setting range	Factory setting	Change
117.	F2.00	SPB terminal output mode selection	0 to 1	0	☆
118.	F2.01	Switching quantity output function selection	0 to 40	0	☆
119.	F2.02	Relay 1 output function selection (TA1.TB1.TC1)		2	☆
120.	F2.03	Undefined			
121.	F2.04	SPA output function selection (collector open circuit output terminals)		1	☆
122.	F2.05	Relay 2 output function selection (TA2.TB2.TC2)		1	☆
123.	F2.06	High-speed pulse output function selection	0 to 17	0	☆
124.	F2.07	DA1 output function selection		2	☆
125.	F2.08	DA2 output function selection		13	☆
126.	F2.09	Maximum output frequency of high-speed pulse	0.01kHzto 100.00kHz	50.00 kHz	☆
127.	F2.10	SPB switching quantity output delay time	0.0s to 3600.0s	0.0s	☆
128.	F2.11	Relay 1 output delay time	0.0s to 3600.0s	0.0s	☆
129.	F2.12	Expansion card DO output delay time	0.0s to 3600.0s	0.0s	☆
130.	F2.13	SPA output delay time	0.0s to 3600.0s	0.0s	☆

131.	F2.14	Relay 2 output delay time	0.0s to 3600.0s	0.0s	☆
132.	F2.15	DO output terminal active status selection	Units digit: SPB switching quantity 0: positive logic 1: anti-logic Tens digit: Relay 1 Hundreds digit: Hundreds digit: Undefined Thousands digit: SPA Ten thousands digit: Relay 2	00000	☆
133.	F2.16	DA1 zero bias coefficient	-100.0% to +100.0%	0.0%	☆
134.	F2.17	DA1 gain	-10.00 to +10.00	1.00	☆
135.	F2.18	DA2 zero bias coefficient	-100.0% to +100.0%	20.0%	☆
136.	F2.19	DA2 gain	-10.00 to +10.00	0.80	☆

### 5-1-5.F3 Group - Start and stop control group

No.	Code	Parameter name	Setting range	Factory setting	Change
137.	F3.00	Start-up mode	0: Direct startup 1: Speed tracking restart 2: Pre-excitation start (AC asynchronous motor)	0	☆
138.	F3.01	Speed tracking mode	0~2: reserve 3: Rotate speed tracking method3	3	★
139.	F3.02	Speed tracking value	1 to 100	20	☆
140.	F3.03	Start frequency	0.00Hz to 10.00Hz	0.00Hz	☆
141.	F3.04	Hold time for start frequency	0.0s to 100.0s	0.0s	★
142.	F3.05	DC beforehand field current	0% to 100%	0%	★
143.	F3.06	DC excitation time beforehand	0.0s to 100.0s	0.0s	★
144.	F3.07	Stop mode	0: Deceleration parking 1: Free stop	0	☆
145.	F3.08	DC Initial frequency	0.00Hz to F0.19 (maximum frequency)	0.00 Hz	☆
146.	F3.09	DC Waiting time	0.0s to 100.0s	0.0s	☆
147.	F3.10	Stop DC braking current	0% to 100%	0%	☆
148.	F3.11	Stop DC braking time	0.0s to 100.0s	0.0s	☆

149.	F3.12	Braking utilization rate	0% to 100%	100%	☆
150.	F3.13	Ac/deceleration mode	0: Linear acceleration and deceleration 1:S curve acceleration and deceleration A 2:S curve acceleration and deceleration B	0	★
151.	F3.14	Proportion of S curve start-section	0.0% to (100.0% to F3.15)	30.0%	★
152.	F3.15	Proportion of S curve end-section	0.0% to (100.0% to F3.14)	30.0%	★

### 5-1-6.F4 Group - V/F control parameters

No.	Code	Parameter name	Setting range	Factory setting	Change
153.	F4.00	V/F curve setting	0 to 11	0	★
154.	F4.01	Torque boost	0.0% Automatic torque boost 0.1% to 30%	0.0%	★
155.	F4.02	Torque boost cut-off frequency	0.00Hz to F0.19(maximum frequency)	15.00 Hz	★
156.	F4.03	Multipoint V/F frequency point 1	0.00Hz to F4.05	0.00Hz	★
157.	F4.04	Multipoint V/F voltage point 1	0.0% to 100.0%	0.0%	★
158.	F4.05	Multipoint V/F frequency point 2	F4.03 to F4.07	0.00Hz	★
159.	F4.06	Multipoint V/F voltage point 2	0.0% to 100.0%	0.0%	★
160.	F4.07	Multipoint V/F frequency point 3	F4.05 to b0.04 (rated motor frequency)	0.00Hz	★
161.	F4.08	Multipoint V/F voltage point 3	0.0% to 100.0%	0.0%	★
162.	F4.09	Slip compensation coefficient	0% to 200.0%	0.0%	☆
163.	F4.10	Overexcitation gain	0 to 200	80	☆
164.	F4.11	Oscillation suppression gain	0 to 100	0	☆
165.	F4.12	V/F separation voltage source	0 to 9	0	☆
166.	F4.13	V/F separation voltage digital setting	0V to rated motor voltage	0V	☆
167.	F4.14	V/F separation voltage rise time	0.0s to 1000.0s	0.0s	☆

### 5-1-7.F5 Group - Vector control parameters

No.	Code	Parameter name	Setting range	Factory setting	Change
168.	F5.00	Speed loop ratio G1	1 to 100	30	☆
169.	F5.01	Speed loop integral T1	0.01s to 10.00s	0.50s	☆

170.	F5.02	switching frequency 1	0.00 to F5.05	5.00Hz	☆
171.	F5.03	Speed loop ratio G2	0 to 100	20	☆
172.	F5.04	Speed loop integral T2	0.01s to 10.00s	1.00s	☆
173.	F5.05	switching frequency 2	F5.02 to F0.19(max. frequency)	10.00 Hz	☆
174.	F5.06	Speed loop integral	0: invalid 1: valid	0	☆
175.	F5.07	Torque limit upper limit source	0 to 8	0	☆
176.	F5.08	Upper limit digital setting for torque	0.0% to 200.0%	150.0%	☆
177.	F5.09	Vector control differential gain	50% to 200%	150%	☆
178.	F5.10	Speed loop filter time constant	0.000s to 0.100s	0.000s	☆
179.	F5.11	Vector control overexcitation gain	0 to 200	64	☆
180.	F5.12	Excitation regulator proportional gain	0 to 60000	2000	☆
181.	F5.13	Excitation regulator integral gain	0 to 60000	1300	☆
182.	F5.14	Torque regulator proportional gain	0 to 60000	2000	☆
183.	F5.15	Torque regulator integral gain	0 to 60000	1300	☆

### 5-1-8.F6 Group - Keyboard and display

No.	Code	Parameter name	Setting range	Factory setting	Chan ge
184.	F6.00	STOP/RESET key functions	0: STOP/RES key is enabled only under keyboard operation mode 1:STOP/RES key is enabled under any operation mode	1	☆
185.	F6.01	Running status display parameters 1	0x0000 to 0xFFFF	001F	☆
186.	F6.02	Running status display parameters 2	0x0000 to 0xFFFF	0000	☆
187.	F6.03	Stop status display parameters	0x0000 to 0xFFFF	0033	☆
188.	F6.04	Load speed display coefficient	0.0001 to 6.5000	3.0000	☆
189.	F6.05	Decimal places for load speed display	0:0 decimal places 2:2 decimal places 1:1 decimal places 3:3 decimal places	1	☆
190.	F6.06	Inverter module radiator temperature	0.0℃ to 100.0℃	-	●

Chapter 5 Function parameter

191.	F6.07	Total run time	0h to 65535h		-	●
192.	F6.08	Total power-on time	0h to 65535h		-	●
193.	F6.09	Total power consumption	0 to 65535 kwh		-	●
194.	F6.10	Product series number	Frequency inverter series number		-	●
195.	F6.11	Software version number	Control board software version		-	●
196.	F6.12	Reserved				
197.	F6.13	Communication read-write data selection	1 digit: CRC error response selection 0: CRC error response selection 1: CRC error response selection 10 digit: broadcast message screening option 0: no shielding; 1: shielding. 100 digit: frequency converter fault information read selection 0: read; 1: not read.			☆
198.	F6.14 F6.15	Reserved				
199.	F6.16	Monitor selection 2	1Kbit/100bit parameter number	10bit/1bit parameter series number	d0.04	☆
200.	F6.17	Power correction coefficient	0.00~10.00		1.00	☆
201.	F6.18	Multifunction key definition 1	0 to 7		0	☆
202.	F6.19	Multifunction key definition 2	0 to 7		0	☆
203.	F6.20	Keypad lock selection	0:RUN, STOP button valid 1:RUN, STOP, keypad encode valid 2:RUN, STOP, UP, DOWN button valid 3: STOP button valid		0	☆
204.	F6.21	QUICK key function selection	0: no function; 1: Jog running 2: Shift switch display state 3: FWD/RVS switchover 4: Clear-up UP/DOWN setting 5: Free stop 6: running command given in sequence		1	☆

5-1-9.F7 Auxiliary function group

No.	Code	Parameter name	Setting range	Factory setting	Char ge
205.	F7.00	Jog running frequency	0.00Hz to F0.19(maximum frequency)	2.00Hz	☆
206.	F7.01	Jog acceleration time	0.0s to 6500.0s	20.0s	☆

207.	F7.02	Jog deceleration time	0.0s to 6500.0s	20.0s	☆
208.	F7.03	Jog priority	0:Invalid 1: Valid	1	☆
209.	F7.04	Jump frequency 1	0.00Hz to F0.19(maximum frequency)	0.00Hz	☆
210.	F7.05	Jump frequency 2	0.00Hz to F0.19(maximum frequency)	0.00Hz	☆
211.	F7.06	Jump frequency range	0.00Hz to F0.19(maximum frequency)	0.00Hz	☆
212.	F7.07	Jump frequency availability during ac/deceleration process	0: Invalid 1: Valid	0	☆
213.	F7.08	Acceleration time 2	0.0s to 6500.0s	Depends on models	☆
214.	F7.09	Deceleration time 2	0.0s to 6500.0s	Depends on models	☆
215.	F7.10	Acceleration time 3	0.0s to 6500.0s	Depends on models	☆
216.	F7.11	Deceleration time 3	0.0s to 6500.0s	Depends on models	☆
217.	F7.12	Acceleration time 4	0.0s to 6500.0s	Depends on models	☆
218.	F7.13	Deceleration time 4	0.0s to 6500.0s	Depends on models	☆
219.	F7.14	Switching frequency point between acceleration time 1 and acceleration time 2	0.00Hz to F0.19 (maximum frequency)	0.00Hz	☆
220.	F7.15	Switching frequency point between deceleration time 1 and deceleration time 2	0.00Hz to F0.19 (maximum frequency)	0.00Hz	☆
221.	F7.16	Forward/reverse rotation deadband	0.00s to 3600.0s	0.00s	☆
222.	F7.17	Reverse rotation control	0: Enable 1: Disable	0	☆
223.	F7.18	Set frequency lower than lower limit frequency mode	0: running at lower limit frequency 1: stop 2: zero speed running	0	☆
224.	F7.19	Droop control	0.00Hz to 10.00Hz	0.00Hz	☆
225.	F7.20	Setting cumulative power-on arrival time	0h to 36000h	0h	☆

Chapter 5 Function parameter

226.	F7.21	Setting cumulative running arrival time	0h to 36000h	0h	☆
227.	F7.22	Start protection selection	0: OFF 1: ON	0	☆
228.	F7.23	Frequency detection value (FDT1)	0.00Hz to F0.19(maximum frequency)	50.00Hz	☆
229.	F7.24	Frequency detection hysteresis value (FDT1)	0.0% to 100.0% (FDT1 level)	5.0%	☆
230.	F7.25	Frequency reaches detection width	0.00 to 100% (maximum frequency)	0.0%	☆
231.	F7.26	Frequency detection value (FDT2)	0.00Hz to F0.19 (maximum frequency)	50.00Hz	☆
232.	F7.27	Frequency detection hysteresis value (FDT2)	0.0% to 100.0% (FDT2 level)	5.0%	☆
233.	F7.28	Random arrivals frequency detection value 1	0.00Hz to F0.19 (maximum frequency)	50.00Hz	☆
234.	F7.29	Random arrivals frequency detection width 1	0.00% to 100.0% (maximum frequency)	0.0%	☆
235.	F7.30	Random arrivals frequency detection value 2	0.00Hz to F0.19 (maximum frequency)	50.00Hz	☆
236.	F7.31	Random arrivals frequency detection width 2	0.00% to 100.0% (maximum frequency)	0.0%	☆
237.	F7.32	Zero current detection level	0.0% to 300.0% (rated motor current)	5.0%	☆
238.	F7.33	Zero current detection delay time	0.01s to 360.00s	0.10s	☆
239.	F7.34	Overrun value of output current	0.0% (not detected) 0.1% to 300.0% (rated motor current)	200.0%	☆
240.	F7.35	Output current overrun detection delay time	0.00s to 360.00s	0.00s	☆
241.	F7.36	Random arrivals current 1	0.0% to 300.0% (rated motor current)	-100.0%	☆
242.	F7.37	Random arrivals current 1 width	0.0% to 300.0% (rated motor current)	0.0%	☆
243.	F7.38	Random arrivals current 2	0.0% to 300.0% (rated motor current)	-100.0%	☆
244.	F7.39	Random arrivals current 2 width	0.0% to 300.0% (rated motor current)	0.0%	☆
245.	F7.40	Module temperature arrival	0°C to 100°C	75°C	☆



246.	F7.41	Cooling fan control	0: Fan running only when running 1: Fan always running	0	☆
247.	F7.42	Timing function selection	0: Invalid 1: Valid	0	★
248.	F7.43	Timing run time selection	0: F7.44 setting 1: AI1 2: AI2 3: Panel potentiometer Analog input range corresponds to F7.44	0	★
249.	F7.44	Timing run time	0.0Min to 6500.0Min	0.0Min	★
250.	F7.45	Current running reaches the set time.	0.0Min to 6500.0Min	0.0Min	★
251.	F7.46	Awakens frequency	dormancy frequency (F7.48) to maximum frequency (F0.19)	0.00Hz	☆
252.	F7.47	Awakens delay time	0.0s to 6500.0s	0.0s	☆
253.	F7.48	Dormancy frequency	0.00Hz to awakens frequency (F7.46)	0.00Hz	☆
254.	F7.49	Dormancy delay time	0.0s to 6500.0s	0.0s	☆
255.	F7.50	AI1 input voltage protection lower limit	0.00V to F7.51	3.10V	☆
256.	F7.51	AI1 input voltage protection upper limit	F7.50 to 10.00V	6.80V	☆
257.	F7.52~ F7.53	Reserve			
258.	F7.54	Jog mode setting <sup>3</sup>	Units digit: 0: forward 1: reverse 2: determine the direction from the main terminal Tens digit: 0: restore to the previous state after jogging 1: stop running after jogging Hundreds digit: 0: return to the previous deceleration time after jogging 1: keep the deceleration time the same after jogging	002	☆

### 5-1-10.F8 Group - Fault and protection

No.	Code	Parameter name	Setting range	Factory setting	Change
259.	F8.00	Overcurrent stall gain	0 to 100	20	☆
260.	F8.01	Overcurrent stall protection current	100% to 200%	-	☆

Chapter 5 Function parameter

261.	F8.02	Motor overload protection selection	0: Invalid      1: Enable	1	☆
262.	F8.03	Motor overload protection gain	0.20 to 10.00	1.00	☆
263.	F8.04	Motor overload pre-alarm coefficient	50% to 100%	80%	☆
264.	F8.05	Over-voltage stall gain	0 to 100	0	☆
265.	F8.06	Over-voltage stall protection voltage / energy consumption brake voltage	120% to 150%	130%	☆
266.	F8.07	Input phase loss protection selection	Units digit: Input phase loss protection selection 0: Invalid      1: Enable Tens digit: contactor actuation protection 0: Invalid      1: Enable	11	☆
267.	F8.08	Output phase loss protection selection	0: Invalid      1: Enable	1	☆
268.	F8.09	Short to ground protection	0: Invalid      1: Valid	1	☆
269.	F8.10	Number of automatic fault reset	0 to 32767	0	☆
270.	F8.11	Fault DO action selection during automatic fault reset	0: OFF 1: ON	0	☆
271.	F8.12	Automatic fault reset interval	0.1s to 100.0s	1.0s	☆
272.	F8.13	Over-speed detection value	0.0 to 50.0% (maximum frequency)	20.0%	☆
273.	F8.14	Over-speed detection time	0.0 to 60.0s	1.0s	☆
274.	F8.15	Detection value for too large speed deviation	0.0 to 50.0% (maximum frequency)	20.0%	☆
275.	F8.16	Detection time for too large speed deviation	0.0 to 60.0s	5.0s	☆
276.	F8.17	Fault protection action selection 1	Units digit: Motor overload (Err.11) 0: Free stop 1: Stop at the selected mode 2: Continue to run Tens digit: input phase loss (Err.12) (same as units digit) Hundred digit: output phase loss (Err.13) (same as units digit) Thousand digit: external fault (Err.15) (same as units digit)	00000	☆

			Ten thousands digit: Communication abnormal(Err.16)(same as units digit)		
277.	F8.18	Fault protection action selection 2	Units digit: Encoder fault(Err.20) 0: Free stop 1:Switch to V/F and then stop at the selected mode 2:Switch to V/F and continue to run Tens digit: function code read and write abnormal (Err.21) 0: Free stop 1: Stop at the selected mode Hundreds digit: Reserved Thousands digit: Motor overheating (Err.45) ( same as F8.17 units digit) Ten thousands digit: Running time arrival(Err.26)(same as F8.17 units digit)	00000	☆
278.	F8.19	Fault protection action selection 3	Units digit:User-defined fault 1 (Err.27) (same as F8.17 units digit) Tens digit:User-defined fault 2 (Err.28) (same as F8.17 units digit) Hundreds digit: Power-on time arrival (Err.29) ( same as F8.17 units digit) Thousands digit: Reserved Ten thousands digit: PID feedback loss when running (Err.31) (same as F8.17 units digit)	00000	☆
279.	F8.20	Fault protection action selection 4	Units digit: Too large speed deviation (Err.42) ( same as F8.17 units digit) Tens digit: Motor over-speed (Err.43) Hundreds digit: Initial position error (Err.51) ( same as F8.17 units digit) Thousands digit: Reserved Ten thousands digit: Reserved	00000	☆
280.	F8.21~ F8.23	Reserved			
281.	F8.24	Fault running frequency	0: current frequency running 1: setting frequency running 2: upper frequency running 3: down frequency running 4: Abnormal reserve frequency running	0	☆
282.	F8.25	Abnormal reserve frequency	60.0% to 100.0%	90%	☆
283.	F8.26	Momentary power cut action selection	0: Invalid 1: Deceleration 2: Deceleration and stop	0.50s	☆

## Chapter 5 Function parameter

284.	F8.27	Reserved			
285.	F8.28	Recovery voltage judgment time of momentary power cut	0.00s to 100.00s	0	☆
286.	F8.29	Judgment voltage of momentary power cut action	50.0% to 100.0% (standard bus voltage)	10%	☆
287.	F8.30~ F8.32	Reserved			
288.	F8.33	motor temperature sensor type	0: Invalid; 1: PT100 detect	0	☆
289.	F8.34	motor over heat protection value	0~200	110	☆
290.	F8.35	motor over heat alma value	0~200	90	☆

### 5-1-11.F9 Group - Communication parameter

No.	Code	Parameter name	Setting range	Factory setting	Change
291.	F9.00	Baud rate	Units digit:MODBUS Tens digit:Profibus-DP Hundreds digit:Reserve Thousands digit:CAN bus baudrate	6005	☆
292.	F9.01	Data format	0: no parity (8-N-2) 2: odd parity (8-O-1) 1: even parity (8-E-1); 3: no parity (8-N-1)	0	☆
293.	F9.02	This unit address	1-250, 0 for broadcast address	1	☆
294.	F9.03	Response delay	0ms-20ms	2ms	☆
295.	F9.04	Communication timeout time	0.0 (Invalid); 0.1~60.0s	0.0	☆
296.	F9.05	Data protocol selection	Units digit: MODBUS 0: non-standard MODBUS protocol 1: standard MODBUS protocol Tens digit: Profibus-DP 0: PP01 format 1: PP02 format 2: PP03 format 3: PP05 format	31	☆
297.	F9.06	Current resolution	0: 0.01A 1: 0.1A	0	☆
298.	F9.07	Communication card type	0:Modbus communication card 1:Profibus communication card 2:Reserved 3:CAN bus communication card	0	☆

**5-1-12.FA Group - Torque control parameters**

No.	Code	Parameter name	Setting range	Factory setting	Change
299.	FA.00	Speed/torque control mode selection	0: speed control 1: torque control	0	★
300.	FA.01	Torque setting source selection under torque control mode	0: keyboard setting (FA.02) 1: Analog AI1 setting 2: Analog AI2 setting 3: Panel potentiometer setting 4: High-speed pulse setting 5: Communications reference 6: MIN (AI1, AI2) 7: MAX (AI1, AI2) 8: AI3	0	★
301.	FA.02	Torque value keyboard setting under torque control mode	-200.0% to 200.0%	150%	☆
302.	FA.03	Torque control acceleration time	0.00s to 650.00s	0.00s	☆
303.	FA.04	Torque control deceleration time	0.00s to 650.00s	0.00s	☆
304.	FA.05	Torque control forward maximum frequency	0.00Hz to F0.19(maximum frequency)	50.00 Hz	☆
305.	FA.06	Torque control backward maximum frequency	0.00Hz to F0.19 (maximum frequency)	50.00 Hz	☆
306.	FA.07	Torque filter time	0.00s to 10.00s	0.00s	☆

**5-1-13.FB Group - Control optimization parameters**

No.	Code	Parameter name	Setting range	Factory setting	Change
307.	FB.00	Fast current limiting manner	0: Invalid 1: enable	1	☆
308.	FB.01	Under-voltage point setting	50.0% to 140.0%	100.0%	☆
309.	FB.02	Over-voltage point setting	200.0V to 2500.0V	810V	☆
310.	FB.03	Deadband compensation mode selection	0: no compensation 1: compensation mode 1 2: compensation mode 2	1	☆
311.	FB.04	Current detection compensator	0 to 100	5	☆
312.	FB.05	Vector optimization without PG mode selection	0: no optimization 1: optimization mode 1 2: optimization mode 2	1	☆
313.	FB.06	Upper limiting frequency for DPWM switching	0.00Hz to 15.00Hz	12.00 Hz	☆
314.	FB.07	PWM modulation manner	0:asynchronous; 1:synchronous	0	☆

315.	FB.08	Random PWM depth	0: Invalid 1 to 10: PWM carrier frequency random depth	0	☆
316.	FB.09	Deadband time adjustment	100% to 200%	150%	☆

### 5-1-14.FC Group - Extended parameter group

No.	Code	Parameter name	Setting range	Factory setting	Change
317.	FC.00	Undefined			
318.	FC.01	Proportional linkage coefficient	0.00 to 10.00	0	☆
319.	FC.02	PID start deviation	0.0 to 100.0	0	☆

### 5-1-15.E0 Group - Wobble, fixed-length and counting

No.	Code	Parameter name	Setting range	Factory setting	Change
320.	E0.00	Swing setting manner	0: relative to center frequency 1: relative to maximum frequency	0	☆
321.	E0.01	Wobble range	0.0% to 100.0%	0.0%	☆
322.	E0.02	Sudden jump frequency range	0.0% to 50.0%	0.0%	☆
323.	E0.03	Wobble cycle	0.1s to 3000.0s	10.0s	☆
324.	E0.04	Triangle wave rise time coefficient	0.1% to 100.0%	50.0%	☆
325.	E0.05	Set length	0m to 65535m	1000m	☆
326.	E0.06	Actual length	0m to 65535m	0m	☆
327.	E0.07	Pulse per meter	0.1 to 6553.5	100.0	☆
328.	E0.08	Set count value	1 to 65535	1000	☆
329.	E0.09	Specified count value	1 to 65535	1000	☆
330.	E0.10	Reduction frequency pulse number	0: invalid; 1~65535	0	☆
331.	E0.11	Reduction frequency	0.00Hz~F0.19 (max frequency)	5.00Hz	☆

### 5-1-16.E1 Group, Multi-speed, Simple PLC

No.	Code	Parameter name	Setting range	Factory setting	Change
332.	E1.00	0-stage speed setting 0X	-100.0% to 100.0%	0.0%	☆
333.	E1.01	1-stage speed setting 1X	-100.0% to 100.0%	0.0%	☆
334.	E1.02	2-stage speed setting 2X	-100.0% to 100.0%	0.0%	☆

335.	E1.03	3-stage speed setting 3X	-100.0% to 100.0%	0.0%	☆
336.	E1.04	4-stage speed setting 4X	-100.0% to 100.0%	0.0%	☆
337.	E1.05	5-stage speed setting 5X	-100.0% to 100.0%	0.0%	☆
338.	E1.06	6-stage speed setting 6X	-100.0% to 100.0%	0.0%	☆
339.	E1.07	7-stage speed setting 7X	-100.0% to 100.0%	0.0%	☆
340.	E1.08	8-stage speed setting 8X	-100.0% to 100.0%	0.0%	☆
341.	E1.09	9-stage speed setting 9X	-100.0% to 100.0%	0.0%	☆
342.	E1.10	10-stage speed setting 10X	-100.0% to 100.0%	0.0%	☆
343.	E1.11	11-stage speed setting 11X	-100.0% to 100.0%	0.0%	☆
344.	E1.12	12-stage speed setting 12X	-100.0% to 100.0%	0.0%	☆
345.	E1.13	13-stage speed setting 13X	-100.0% to 100.0%	0.0%	☆
346.	E1.14	14-stage speed setting 14X	-100.0% to 100.0%	0.0%	☆
347.	E1.15	15-stage speed setting 15X	-100.0% to 100.0%	0.0%	☆
348.	E1.16	Simple PLC running mode	0: stop after single running 1: hold final value after single running 2: circulating	0	☆
349.	E1.17	Simple PLC power-down memory selection	Units digit: power-down memory selection 0: power-down without memory 1: power-down with memory Tens digit: stop memory selection 0: stop without memory 1: stop with memory	11	☆
350.	E1.18	0 stage running time T0	0.0s(h) to 6500.0s(h)	0.0s(h)	☆
351.	E1.19	0 stage ac/deceleration time selection	0 to 3	0	☆
352.	E1.20	1 stage running time T1	0.0s(h) to 6500.0s(h)	0.0s(h)	☆
353.	E1.21	1 stage ac/deceleration time selection	0 to 3	0	☆
354.	E1.22	2 stage running time T2	0.0s(h) to 6500.0s(h)	0.0s(h)	☆
355.	E1.23	2 stage ac/deceleration time selection	0 to 3	0	☆
356.	E1.24	3 stage running time T3	0.0s(h) to 6500.0s(h)	0.0s(h)	☆
357.	E1.25	3 stage ac/deceleration time selection	0 to 3	0	☆
358.	E1.26	4 stage running time T4	0.0s(h) to 6500.0s(h)	0.0s(h)	☆

## Chapter 5 Function parameter

359.	E1.27	4 stage ac/deceleration time selection	0 to 3	0	☆
360.	E1.28	5 stage running time T5	0.0s(h) to 6500.0s(h)	0.0s(h)	☆
361.	E1.29	5 stage ac/deceleration time selection	0 to 3	0	☆
362.	E1.30	6 stage running time T6	0.0s(h) to 6500.0s(h)	0.0s(h)	☆
363.	E1.31	6 stage ac/deceleration time selection	0 to 3	0	☆
364.	E1.32	7 stage running time T7	0.0s(h) to 6500.0s(h)	0.0s(h)	☆
365.	E1.33	7 stage ac/deceleration time selection	0 to 3	0	☆
366.	E1.34	8 stage running time T8	0.0s(h) to 6500.0s(h)	0.0s(h)	☆
367.	E1.35	8 stage ac/deceleration time selection	0 to 3	0	☆
368.	E1.36	9 stage running time T9	0.0s(h) to 6500.0s(h)	0.0s(h)	☆
369.	E1.37	9 stage ac/deceleration time selection	0 to 3	0	☆
370.	E1.38	10 stage running time T10	0.0s(h) to 6500.0s(h)	0.0s(h)	☆
371.	E1.39	10 stage ac/deceleration time selection	0 to 3	0	☆
372.	E1.40	11 stage running time T11	0.0s(h) to 6500.0s(h)	0.0s(h)	☆
373.	E1.41	11 stage ac/deceleration time selection	0 to 3	0	☆
374.	E1.42	12 stage running time T12	0.0s(h) to 6500.0s(h)	0.0s(h)	☆
375.	E1.43	12 stage ac/deceleration time selection	0 to 3	0	☆
376.	E1.44	13 stage running time T13	0.0s(h) to 6500.0s(h)	0.0s(h)	☆
377.	E1.45	13 stage ac/deceleration time selection	0 to 3	0	☆
378.	E1.46	14 stage running time T14	0.0s(h) to 6500.0s(h)	0.0s(h)	☆
379.	E1.47	14 stage ac/deceleration time selection	0 to 3	0	☆
380.	E1.48	15 stage running time T15	0.0s(h) to 6500.0s(h)	0.0s(h)	☆
381.	E1.49	15 stage ac/deceleration time selection	0 to 3	0	☆
382.	E1.50	Simple PLC run-time unit	0: S (seconds) 1: H (hours)	0	☆
383.	E1.51	Multi-stage command 0	0: Function code E1.00 reference	0	☆



		reference manner	1: Analog AI1 reference 2: Analog AI2 reference 3: Panel potentiometer setting 4: High-speed pulse setting 5: PID control setting 6: Keyboard set frequency (F0.01) setting, UP/DOWN can be modified 7: Analog AI3 given		
--	--	------------------	--	--	--

### 5-1-17.E2 Group - PID function

No.	Code	Parameter name	Setting range	Factory setting	Change
384.	E2.00	PID setting source	0: E2.01 setting 1: Analog AI1 reference 2: Analog AI2 reference 3: Panel potentiometer setting 4: High-speed pulse setting 5: Communications reference 6: Multi-stage command reference 7: AI3	0	☆
385.	E2.01	PID keyboard reference	0.0% to 100.0%	50.0%	☆
386.	E2.02	PID feedback source	0: Analog AI1 reference 1: Analog AI2 reference 2: Panel potentiometer setting 3: AI1-AI2 reference 4: High-speed pulse setting 5: Communications reference 6: AI1+AI2 reference 7: MAX( AI1 ,  AI2 ) reference 8: MIN ( AI1 ,  AI2 ) reference 9: Analog AI3 reference	0	☆
387.	E2.03	PID action direction	0: positive 1: negative	0	☆
388.	E2.04	PID setting feedback range	0 to 65535	1000	☆
389.	E2.05	PID inversion cutoff frequency	0.00 to F0.19 (maximum frequency)	0.00Hz	☆
390.	E2.06	PID deviation limit	0.0% to 100.0%	2.0%	☆
391.	E2.07	PID differential limiting	0.00% to 100.00%	0.10%	☆
392.	E2.08	PID reference change time	0.00s to 650.00s	0.00s	☆
393.	E2.09	PID feedback filter time	0.00s to 60.00s	0.00s	☆
394.	E2.10	PID output filter time	0.00s to 60.00s	0.00s	☆
395.	E2.11	PID feedback loss detection value	0.0%: feedback loss not judged 0.1% to 100.0%	0.0%	☆

## Chapter 5 Function parameter

396.	E2.12	PID feedback loss detection time	0.0s to 20.0s	0.0s	☆
397.	E2.13	Proportional gain KP1	0.0 to 200.0	80.0	☆
398.	E2.14	Integration time Ti1	0.01s to 10.00s	0.50s	☆
399.	E2.15	Differential time Td1	0.00s to 10.000s	0.000s	☆
400.	E2.16	Proportional gain KP2	0.0 to 200.0	20.0	☆
401.	E2.17	Integration time Ti2	0.01s to 10.00s	2.00s	☆
402.	E2.18	Differential time Td2	0.00 to 10.000	0.000s	☆
403.	E2.19	PID parameter switching conditions	0: no switching 1: switching via terminals 2: automatically switching according to deviation.	0	☆
404.	E2.20	PID parameter switching deviation 1	0.0% to E2.21	20.0%	☆
405.	E2.21	PID parameter switching deviation 2	E2.20 to 100.0%	80.0%	☆
406.	E2.22	PID integral properties	Units digit: integral separation 0: Invalid; 1: Valid Tens digit: whether stop integration when output reaches limit 0: continue; 1: stop	00	☆
407.	E2.23	PID initial value	0.0% to 100.0%	0.0%	☆
408.	E2.24	PID initial value hold time	0.00s to 360.00s	0.00s	☆
409.	E2.25	Maximum deviation of twice outputs(forward)	0.00% to 100.00%	1.00%	☆
410.	E2.26	Maximum deviation of twice outputs(backward)	0.00% to 100.00%	1.00%	☆
411.	E2.27	Computing status after PID stop	0: stop without computing 1: stop with computing	1	☆
412.	E2.28	reserved			
413.	E2.29	PID automatic decrease frequency selection	0: invalid; 1: valid	1	☆
414.	E2.30	PID stop frequency	0.00Hz~maximum frequency (F0.19)	25	☆
415.	E2.31	PID checking time	0s~3600s	10	☆
416.	E2.32	PID checking times	1~500	20	☆

### 5-1-18.E3 Group – Virtual DI, Virtual DO

No.	Code	Parameter name	Setting range	Factory setting	Change
417.	E3.00	Virtual VDI1 terminal function selection	0 to 51	0	★
418.	E3.01	Virtual VDI2 terminal function selection	0 to 51	0	★
419.	E3.02	Virtual VDI3 terminal function selection	0 to 51	0	★
420.	E3.03	Virtual VDI4 terminal function selection	0 to 51	0	★
421.	E3.04	Virtual VDI5 terminal function selection	0 to 51	0	★
422.	E3.05	Virtual VDI terminal status set	Units digit:Virtual VDI1 Tens digit:Virtual VDI2 Hundreds digit:Virtual VDI3 Thousands digit:Virtual VDI4 Tens of thousands:Virtual VDI5	00000	★
423.	E3.06	Virtual VDI terminal effective status set mode	Units digit:Virtual VDI1 Tens digit:Virtual VDI2 Hundreds digit:Virtual VDI3 Thousands digit:Virtual VDI4 Tens of thousands:Virtual VDI5	11111	★
424.	E3.07	AI1 terminal as a function selection of DI	0 to 51	0	★
425.	E3.08	AI2 terminal as a function selection of DI	0 to 51	0	★
426.	E3.09	Panel potentiometer as a function selection of DI	0 to 51	0	★
427.	E3.10	AI as DI effective mode selection	Units digit: AI1 0:High level effectively 1:Low level effectively Tens digit:AI2 (0 to 1,same as units digit) Hundreds digit: Panel potentiometer (0 to 1,same as units digit)	000	★
428.	E3.11	Virtual VDO1 output function selection	0 to 40	0	☆
429.	E3.12	Virtual VDO2 output function	0 to 40	0	☆
430.	E3.13	Virtual VDO3 output function	0 to 40	0	☆
431.	E3.14	Virtual VDO4 output function	0 to 40	0	☆
432.	E3.15	Virtual VDO5 output function	0 to 40	0	☆

433.	E3.16	VDO output terminal effective status selection	Units digit:VDO1 0:Positive logic 1:Negative logic Tens digit: VDO2 (0 to 1, same as above) Hundreds digit:VDO3 (0 to 1, same as above) Thousands digit:VDO4 (0 to 1, same as above) Tens of thousands digit:VDO5 (0 to 1, same as above)	00000	☆
434.	E3.17	VDO1 output delay time	0.0s to 3600.0s	0.0s	☆
435.	E3.18	VDO2 output delay time	0.0s to 3600.0s	0.0s	☆
436.	E3.19	VDO3 output delay time	0.0s to 3600.0s	0.0s	☆
437.	E3.20	VDO4 output delay time	0.0s to 3600.0s	0.0s	☆
438.	E3.21	VDO5 output delay time	0.0s to 3600.0s	0.0s	☆

### 5-1-19.b0 Group - Motor parameters

No.	Code	Parameter name	Setting range	Factory setting	Change
439.	b0.00	Motor type selection	0: general asynchronous motor 1: asynchronous inverter motor 2: permanent magnet synchronous motor	0	★
440.	b0.01	Rated power	0.1kW to 1000.0kW	Depends on models	★
441.	b0.02	Rated voltage	1V to 2000V	Depends on models	★
442.	b0.03	Rated current	0.01A to 655.35A (inverter power $\leq$ 55kW) 0.1A to 6553.5A (inverter rate > 55kW)	Depends on models	★
443.	b0.04	Rated frequency	0.01Hz to F0.19 (maximum frequency)	Depends on models	★
444.	b0.05	Rated speed	1rpm to 36000rpm	Depends on models	★
445.	b0.06	Asynchronous motor stator resistance	0.001 $\Omega$ to 65.535 $\Omega$ (inverter power $\leq$ 55kW) 0.0001 $\Omega$ to 6.5535 $\Omega$ (inverter power > 55kW)	Motor parameters	★
446.	b0.07	Asynchronous motor rotor resistance	0.001 $\Omega$ to 65.535 $\Omega$ (inverter power $\leq$ 55kW) 0.0001 $\Omega$ to 6.5535 $\Omega$ (inverter power > 55kW)	Motor parameters	★

447.	b0.08	Asynchronous motor leakage inductance	0.01mH to 655.35mH (inverter power <= 55kW) 0.001mH to 65.535mH (inverter power> 55kW)	Motor parameters	★
448.	b0.09	Asynchronous motor mutual inductance	0.1mH to 6553.5mH (inverter power <= 55kW) 0.01mH to 655.35mH (inverter power> 55kW)	Motor parameters	★
449.	b0.10	Asynchronous motor no-load current	0.01A to b0.03 (inverter power <= 55kW) 0.1A to b0.03 (inverter power> 55kW)	Motor parameters	★
450.	b0.11	Synchronous motor stator resistance	0.001Ω to 65.535Ω (inverter power <= 55kW) 0.0001Ω to 6.5535Ω (inverter power> 55kW)	-	★
451.	b0.12	Synchronous D-axis inductance	0.01mH to 655.35mH (inverter power <= 55kW) 0.001mH to 65.535mH (inverter power> 55kW)	-	★
452.	b0.13	Synchronous Q-axis inductance	0.01mH to 655.35mH (inverter power <= 55kW) 0.001mH to 65.535mH (inverter power> 55kW)	-	★
453.	b0.14	Synchronous motor back-EMF	0.1V to 6553.5V	-	★
454.	b0.15 to b0.26	Reserve			
455.	b0.27	Motor parameter auto tuning	0: no operation 1: asynchronous motor parameters still auto tuning 2: asynchronous motor parameters comprehensive auto tuning 11: synchronous motor parameters still auto tuning 12: synchronous motor parameters comprehensive auto tuning	0	★
456.	b0.28	Encoder type	0: ABZ incremental encoder 1: UVW incremental encoder 2: Rotational transformer 3: Sine and cosine encoder 4: Wire-saving UVW encoder	0	★
457.	b0.29	Encoder every turn pulse number	1 to 65535	2500	★
458.	b0.30	Encoder installation angle	0.00 to 359.90	0.00	★

459.	b0.31	ABZ incremental encoder AB phase sequence	0: forward      1: reverse	0	★
460.	b0.32	UVW encoder offset angle	0.00 to 359.90	0.0	★
461.	b0.33	UVW encoder UVW phase sequence	0: forward      1: reverse	0	★
462.	b0.34	Speed feedback PG disconnection detection time	0.0s: OFF 0.1s to 10.0s	0.0s	★
463.	b0.35	Pole-pairs of rotary transformer	1 to 65535	1	★

### 5-1-20.y0 Group - Function code management

No.	Code	Parameter name	Setting range	Factory setting	Change
464.	y0.00	Parameter initialization	0: no operation 1: restore default parameter values, not including motor parameters 2: clear history 3: restore default parameter values, including motor parameters 4: backup current user parameters 501: restore from backup user parameters 10: Clear keyboard storage area3 11:upload parameter to keyboard storage area 1 12:upload parameter to keyboard storage area 2 21: download the parameters from keyboard storage 1 area to the storage system 3 22: download the parameters from keyboard storage 2 area to the storage system 3	0	★
465.	y0.01	User password	0 to 65535	0	☆
466.	y0.02	Function parameter group display selection	Units digit: d group display selection 0: not displays    1: displays Tens digit: E group display selection (the same as above) Hundreds digit:b group display selection (the same as above) Thousands digit:y group display selection (the same as above) Tens thousands digit:L group display selection (the same as above)	11111	★
467.	y0.03	Personality parameter group display selection	Units digit:User's customization parameter display selection 0: not display    1:display	00	☆

			Tens digit: User's change parameter display selection 0: not display    1:display		
468.	y0.04	Function code modification properties	0: modifiable 1: not modifiable	0	☆

### 5-1-21.y1 Group -Fault query

No.	Code	Parameter name	Setting range	Factory setting	Change
469.	y1.00	Type of the first fault	0: No fault	-	●
470.	y1.01	Type of the second fault	1: Inverter unit protection 2: Acceleration overcurrent 3: Deceleration overcurrent 4: Constant speed overcurrent 5: Acceleration overvoltage 6: Deceleration overvoltage 7: Constant speed overvoltage 8: Control power failure 9: Undervoltage 10: Inverter overload 11: Motor Overload 12: Input phase loss 13: Output phase loss 14: Module overheating 15: External fault 16: Communication abnormal 17: Contactor abnormal 18: Current detection abnormal 19: Motor self-learning abnormal 20: Encoder/PG card abnormal 21: Parameter read and write abnormal 22: Inverter hardware abnormal 23: Motor short to ground 24: Reserved 25: Reserved 26: Running time arrival 27: Custom fault 1 28: Custom fault 2 29: Power-on time arrival 30: Load drop 31: PID feedback loss when running 40: Fast current limiting timeout 41: Switch motor when running 42: Too large speed deviation 43: Motor overspeed 45: Motor over-temperature 51: Initial position error COF: communication failure	-	●
471.	y1.02	Type of the third (most recent) fault		-	●
472.	y1.03	Frequency of the third (most recent) fault	-	-	●

Chapter 5 Function parameter

473.	y1.04	Current of the third (most recent) fault	-	-	●
474.	y1.05	Bus voltage of the third (most recent) fault	-	-	●
475.	y1.06	Input terminal status of the third (most recent) fault	-	-	●
476.	y1.07	Output terminal status of the third (most recent) fault	-	-	●
477.	y1.08	Reserved	-		
478.	y1.09	Power-on time of the third (most recent) fault		-	●
479.	y1.10	Running time of the third (most recent) fault	-	-	●
480.	y1.11	Reserve	-		
481.	y1.12	Reserve			
482.	y1.13	Frequency of the second fault		-	●
483.	y1.14	Current of the second fault	-	-	●
484.	y1.15	Bus voltage of the second fault	-	-	●
485.	y1.16	Input terminal status of the second fault	-	-	●
486.	y1.17	Output terminal status of the second fault	-	-	●
487.	y1.18	Reserved	-		
488.	y1.19	Power-on time of the second fault		-	●
489.	y1.20	Running time of the second fault	-	-	●
490.	y1.21	Reserve	-		
491.	y1.22	Reserve			
492.	y1.23	Frequency of the first fault		-	●
493.	y1.24	Current of the first fault	-	-	●
494.	y1.25	Bus voltage of the first fault	-	-	●



495.	y1.26	Input terminal status of the first fault	-	-	●
496.	y1.27	Output terminal status of the first fault	-	-	●
497.	y1.28	Reserved	-		
498.	y1.29	Power-on time of the first fault		-	●
499.	y1.30	Running time of the first fault	-	-	●

## 5-2.Function parameter description

### 5-2-1.Basic monitoring parameters: d0.00-d0.41

D0 parameters group is used to monitor the inverter running status information. User can view those information through the panel to facilitate on-site commissioning, also read parameters group value via communication for host computer monitoring.

For the specific parameters function code, name and the smallest unit, check Table 5-2.

Function code	Name	Unit						
d0.00	Running frequency (Hz)	0.01Hz						
Frequency converter theory.								
d0.01	Set frequency (Hz)	0.01Hz						
Actual set frequency								
d0.02	Bus voltage (V)	0.1V						
Detected value for DC bus voltage								
d0.03	Output voltage (V)	1V						
Actual output voltage								
d0.04	Output current (A)	0.01A						
Effective value for Actual motor current								
d0.05	Output power (kW)	0.1kW						
Calculated value for motor output power								
d0.06	Output torque (%)	0.1%						
Motor output torque percentage								
d0.07	DI input status	-						
DI input status, this value is a hexadecimal digits. The table listed each input terminal status sequence for each bit:								
<table border="1" style="margin-left: auto; margin-right: auto;"> <thead> <tr> <th>0 to 10 bits</th> <th>Input terminal status</th> </tr> </thead> <tbody> <tr> <td>0</td> <td>Invalid</td> </tr> <tr> <td>1</td> <td>Valid</td> </tr> </tbody> </table>			0 to 10 bits	Input terminal status	0	Invalid	1	Valid
0 to 10 bits	Input terminal status							
0	Invalid							
1	Valid							
Figure 5-1:DI1 the sequence of the input terminal								
d0.08	DO output status	-						
DO output status, this value is a hexadecimal digits. The table listed each output terminal status sequence for each bit:								

0 to 10 bits	Output terminal status
0	Invalid
1	Valid

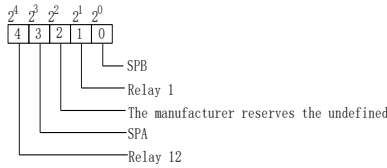


Figure 5-2:DO the sequence of the Output terminal

d0.09	AI1 voltage (V)	0.01V
AI1 input voltage value		
d0.10	AI2 voltage (V)	0.01V
AI2 input voltage value		
d0.11	AI3 voltage (V)	0.01V
AI3 input voltage value		
d0.12	Count value	-
Actual pulse count value in counting function		
d0.13	Length value	-
Actual length in fixed length function		
d0.14	Actual speed	-
Motor Actual running speed display		
d0.15	PID setting	%
Reference value percentage under PID adjustment mode		
d0.16	PID feedback	%
Feedback value percentage under PID adjustment mode		
d0.17	PLC stage	-
Stage display when PID program is running		
d0.18	High-speed pulse input pulse frequency (Hz)	0.01kHz
High-speed pulse input frequency display, unit: 0.01Khz		
d0.19	Feedback speed (unit:0.1Hz)	0.1Hz
Actual output frequency of converter		
d0.20	Remaining run time	0.1Min
Remaining run time display, it is for timing run control		
d0.21	Linear speed	1m/Min
Show the line speed of DI5 high speed pulse sampling, according to the actual sample pulse number per minute and E0.07, calculate the line speed value.		
d0.22	Current power-on time	1Min
Total time of current inverter power-on		
d0.23	Current run time	0.1Min
Total time of current inverter run		
d0.24	High-speed pulse input pulse frequency	1Hz
High-speed pulse input frequency display, unit: 1hz		
d0.25	Communication set value	0.01%
Frequency, torque or other command values set by communication port		
d0.26	Encoder feedback speed	0.01Hz
PG feedback speed, to an accuracy of 0.01hz		
d0.27	Master frequency setting display	0.01Hz
Frequency set by F0.03 master frequency setting source		

d0.28	Auxiliary frequency setting display	0.01Hz
Frequency set by F0.04 auxiliary frequency setting source		
d0.29	Command torque (%)	0.1%
Display the set target torque under torque control mode		
d0.30	Reserve	
Reserve		
d0.31	Synchro rotor position	0.0°
Current position angle of synchronous motor rotor		
d0.32	Resolver position	-
Rotor position when rotary transformer is used as a speed feedback		
d0.33	ABZ position	0
Displays AB phase pulse count of the current ABZ or UVW encoder		
d0.34	Z signal counter	
Displays Z phase pulse count of the current ABZ or UVW encoder		
d0.35	Inverter status	
Displays inverter running status information Data definition format is as follows:		
Digit 1	0: stop; 1: forward; 2: reverse	
Digit 10		
Digit 100	0: constant; 1: acceleration; 2: deceleration	
Digit 1000		
Digit 10000	0: bus voltage normal; 1: undervoltage	
d0.36	Inverter type	-
1:G type: Suitable for constant torque load		
2:F type: Suitable for variable torque load (fans, pumps load)		
d0.37	AI1 voltage before correction	0.001V
d0.38	AI2 voltage before correction	0.001V
d0.39	AI3 voltage before correction	0.001V
d0.40	Reserve	
d0.41	motor temperature inspection function	0°C
Motor temperature sensor signal, need connect to control board S1 S2 GND terminal.		

### 5-2-2. Basic function group: F0.00-F0.27

Code	Parameter name	Setting range	Factory setting	Change Limit
F0.00	Motor control mode	Vector control without PG	0	★
		Vector control with PG	1	
		V/F control	2	
<p>0: Vector control without PG Refers to the open-loop vector control for high-performance control applications typically , only one inverter to drive a motor.</p> <p>1: Vector control with PG Refers to the closed-loop vector control, motor encoder client must be installed , the drive must be matching with the same type of PG encoder card . Suitable for high-precision speed control or torque control . An inverter can drive only one motor.</p> <p>2: V/F control Suitable for less precision control applications, such as fan and pump loads .Oneinverter can be used for several motors at the same time.</p> <p>Note: When vector control mode , the drive and motor capacity can not vary widely.The drive's power can be bigger than motor's power two degree or smaller than motor's power one degree.If not, it may result in not very good performance control, or the drive system does not work normally .</p>				

Chapter 5 Function parameter

F0.01	Keyboard set frequency	0.00Hz to F0.19 (maximum frequency)	50.00Hz	☆	
When "Digital Setting" or "Terminal UP/DOWN " is selected as frequency source, the parameter value is the initial value of the inverter frequency digital setting.					
F0.02	Frequency command resolution	0.1Hz	1	2	
		0.01Hz	2		
<p>This parameter is used to determine the resolution of <i>all</i> related frequency parameters.</p> <p>When the frequency resolution is 0.1Hz, ST500 maximum output frequency can reach 3200Hz, when the frequency resolution is 0.01Hz , ST500 maximum output frequency is 320.00Hz.</p> <p>Note: when modifying the function parameters, the number of decimal places of <b>all related frequency parameters</b> will change displayed, the <b>frequency value will change</b> accordingly.</p>					
F0.03	Frequency source master setting	Keyboard set frequency (F0.01, UP/DOWN can be modified, power-down without memory)	0	1	★
		Keyboard set frequency (F0.01, UP/DOWN can be modified, power-down with memory)	1		
		Analog AI1 setting	2		
		Analog AI2 setting	3		
		Panel potentiometer setting	4		
		High-speed pulse setting	5		
		Multi-speed operation setting	6		
		Simple PLC program setting	7		
		PID control setting	8		
		Remote communications setting	9		
	Analog AI3 input, voltage input range -10v ~ +10v	10			
<p>Select inverter master reference frequency input channels. There are 10 master reference frequency channels in all:</p> <p>0: Keyboard set frequency (F0.01, UP/DOWN can be modified, power-down without memory)</p> <p>Initial value for the set frequency is F0.01 "preset frequency" value. The set frequency value of the inverter can be changed by using the ▲ key and ▼ key on the keyboard (or multi-function input terminals UP, DOWN).</p> <p>The Inverter powers down and then powers on again, the set frequency value will be recovered as F0.01 "digital preset frequency value".</p> <p>1: Keyboard set frequency (F0.01, UP/DOWN can be modified, power-down with memory)</p> <p>Initial value for the set frequency is F0.01 "preset frequency" value. The set frequency value of the inverter can be changed by using the ▲ key and ▼ key on the keyboard (or multi-function input terminals UP, DOWN).</p> <p>The Inverter powers down and then powers on again, the set frequency value is same as the frequency before the last power-down.</p> <p>Please note that F0.09 is for "digital set frequency stop memory selection", F0.09 is used to select SAVE or CLEAR frequency correction when the inverter stops Besides, F0.09 is not related to the power-down memory but shutdown.</p> <p>2: Analog AI1 setting</p> <p>3: Analog AI2 setting</p> <p>4: Panel potentiometer setting</p> <p>5: high speed pulse setting</p> <p>Frequency given by terminal pulse. Pulse signal specification: voltage range 24V±20%, frequency range 0kHz ~ 100kHz. Pulse is given only from the multi function input terminal DI5 input. DI5 terminal input pulse frequency and the corresponding set, set by F1.26 F1.29. The corresponding relation for 2 corresponds to a linear relationship, the pulse input corresponding to the set of 100.0%, is refers to the percentage of maximum relative frequency F0.19.</p> <p>6: Multi-speed operation setting</p>					

<p>When multi-stage command operation mode is selected, the different input state combination of DI terminal correspond to the different set frequency value. ST500 can set up more than 4 multi-stage command terminals and 16 statuses, and any 16 "multi-stage commands" can be achieved correspondence through E1 group function code, the "multi-stage command" refers to the percent of F0.19 relative to maximum frequency.</p> <p>Under the mode, DI terminal function in F1 group parameters will be required to set as the multi-stage command.</p> <p>7: Simple PLC program setting Under the mode, the inverter operating frequency source can be switched between 1 to 16 any frequency commands, the user can set hold time and ac/deceleration time for 1 to 16 frequency command, the specific content refers to the related E1 group instructions.</p> <p>8: PID control setting Select process PID control output as the operating frequency. Generally it is used for closed-loop control, such as constant pressure closed-loop control, constant tension closed-loop control and other occasions. Select PID as the frequency source, you need to set E2 group "PID function" parameters.</p> <p>9: Remote communications setting ST500 supports Modbus communication. Communication card must be installed when using the function.</p> <p>10: Analog AI3 input, voltage input range -10v~+10v.</p>					
F0.04	Frequency source auxiliary setting	Keyboard set frequency (F0.01, UP/DOWN can be modified, power-down without memory)	0	2	★
		Keyboard set frequency (F0.01, UP/DOWN can be modified, power-down with memory)	1		
		Analog AI1 setting	2		
		Analog AI2 setting	3		
		Panel potentiometer setting	4		
		High-speed pulse setting	5		
		Multi-speed operation setting	6		
		Simple PLC program setting	7		
		PID control setting	8		
		Remote communications setting	9		
		Analog AI3 input, voltage input range -10v ~ +10v	10		
<p>The instructions for use refers to F0.03.</p> <p>When the frequency source auxiliary setting is used as overlays reference (select frequency source as master+auxiliary, master to master+auxiliary or auxiliary to master+auxiliary), you need to pay attention to:</p> <p>1) When the frequency source auxiliary setting is set to digital reference, the preset frequency (F0.01) does not work, user can adjust frequency by using ▲, ▼ keys (or multi-function input terminals UP, DOWN) on the keyboard, adjust directly on the basis of master frequency source.</p> <p>2) When the frequency source auxiliary setting is set to analog input reference (AI1, AI2, panel potentiometer) or pulse input reference, the frequency source auxiliary setting range for the set 100% can be set by F0.05 and F0.06.</p> <p>3) When the frequency source is set to pulse input reference, it is similar to analog reference.</p> <p>Tip: Both master and auxiliary setting of frequency source can not be set in the same channel, ie F0.03 and F0.04 can not be set as the same value, otherwise easily lead to confusion.</p>					
F0.05	Reference object selection for frequency source auxiliary setting	Relative to maximum frequency	0	0	☆
		Relative to master frequency source A	1		
		Relative to master frequency source 2	2		
F0.06	Frequency source auxiliary setting range	0% to 150%		100%	☆
<p>When the frequency source is set to "frequency overlay" (i.e. F0.07 is set to 1, 3 or 4), these two parameters are used to determine the range of adjustment of frequency source auxiliary</p>					

setting.  
 F0.05 is used to determine the object corresponding to frequency source auxiliary setting range, either the maximum frequency or the frequency source master setting. If the frequency source master setting 1 is selected, so the frequency source auxiliary setting range will be subject to the change of the frequency source master setting, it applies for when auxiliary setting range is less than master setting range; If the frequency source master setting 2 is selected, so the frequency source auxiliary setting range will be subject to the change of the frequency source master setting, it applies for when auxiliary setting range is more than master setting range;  
 Recommendation: frequency source master setting (F0.03) shall adopt analog setting, frequency source auxiliary setting (F0.04) shall adopt digital setting.

F0.07	Frequency source super-imposed selection	Units digit	Frequency source selection	00	☆	
			Frequency source master setting			0
			Arithmetic result of master and auxiliary(arithmetic relationship depends on tens digit)			1
			switch between frequency source master setting and auxiliary setting			2
			Switch between frequency source master setting and arithmetic result of master and auxiliary			3
			Switch between frequency source auxiliary setting and arithmetic result of master and auxiliary			4
		Tens digit	Arithmetic relationship of master and auxiliary for frequency source			
			Master+auxiliary			0
			Master-auxiliary			1
			Max(master, auxiliary)			2
			Min (master, auxiliary)			3
			Master*auxiliary/ maximum frequency			4

Frequency source reference is achieved by compounding frequency source master setting and frequency source auxiliary setting  
 Units digit: frequency source selection:  
 0: Frequency source master setting  
 Frequency source master setting is used as command frequency  
 1: Arithmetic result of master and auxiliary is used as command frequency, for the arithmetic relationship of master and auxiliary, please see the instructions of function code "tens digit".  
 2: Switch between frequency source master setting and auxiliary setting, when multi-function input terminal 18 (frequency switching) is invalid, the frequency source master setting is selected as command frequency, when multi-function input terminal 18 (frequency switching) is valid, frequency source auxiliary setting is selected as command frequency.  
 3: Switch between the frequency source master setting and the arithmetic result of master and auxiliary, when multi-function input terminal 18 (frequency switching) is invalid, the frequency source master setting is selected as command frequency. When multi-function input terminal 18 (frequency switching) is valid, the arithmetic result of master and auxiliary is selected as command frequency.  
 4: Switch between the frequency source auxiliary setting and the arithmetic result of master and auxiliary, when multi-function input terminal 18 (frequency switching) is invalid, the frequency source auxiliary setting is selected as command frequency. When multi-function input terminal 18 (frequency switching) is valid, the arithmetic result of master and auxiliary is selected as command frequency.  
 Tens digit: arithmetic relationship of master and auxiliary for frequency source  
 0: frequency source master setting + frequency source auxiliary setting  
 The sum of frequency source master setting plus frequency source auxiliary setting is used as command frequency Achieve frequency overlay reference function.  
 1: frequency source master setting - frequency source auxiliary setting  
 The difference of frequency source master setting minus frequency source auxiliary setting is

used as command frequency					
2: MAX (master and auxiliary) take the largest absolute value in frequency source master setting and frequency source auxiliary setting as command frequency.					
3: MIN (master and auxiliary) take the smallest absolute value in frequency source master setting and frequency source auxiliary setting as command frequency. In addition, when the arithmetic result of master and auxiliary is selected as frequency source, you can set offset frequency by F0.08 and overlay offset frequency to the arithmetic result of master and auxiliary, so as to respond flexibly to various needs.					
4: frequency source master setting X frequency source auxiliary setting and divided by the maximum value of frequency as the frequency command.					
F0.08	Frequency source offset frequency when superimposing	0.00Hz to F0.19 (maximum frequency)	0.00Hz	☆	
The function code is only valid when the arithmetic result of master and auxiliary is selected as frequency source.					
When the arithmetic result of master and auxiliary is selected as frequency source, F0.08 is used as offset frequency, and it overlays with the arithmetic result of master and auxiliary as the set value of final frequency so that the frequency setting can be more flexible.					
F0.09	Shutdown memory selection for digital set frequency	W/O memory With memory	0 1	1	☆
This feature is only frequency source for the digital set.					
"W/O memory" refers to that the digital set frequency value will recovered to F0.01 (preset frequency) value when the inverter stops, and the frequency correction by the ▲/▼ key on the keyboard or terminals UP, DOWN is cleared.					
"W/ memory" refers to that the digital set frequency is reserved when the inverter stops, and the frequency correction by the ▲/▼ key on the keyboard or terminals UP, DOWN remains valid.					
F0.10	Frequency command UP / DOWN reference when running	Running frequency Set frequency	0 1	0	★
This parameter is valid only when the frequency source is the digital set value.					
When determining the keyboard ▲ ▼ keys or terminal UP/DOWN action, the method to correct the set frequency that is, the target frequency decreases or increases on the basis of the operating frequency or the set frequency.					
The obvious difference between two settings appears when the inverter is in the process of ac/deceleration, that is, if the inverter operating frequency is not same as the set frequency, the different choices of the parameters has very different effect.					
F0.11	Command source selection	Keyboard control (LED off) Terminal block control (LED on) Communications command control (LED flashes) Keyboard control+ Communications command control Keyboard control+ Communications command control+ Terminal block control	0 1 2 3 4	0	☆
Select inverter control command input channel. Inverter control commands include: start, stop, forward, reverse and jog, etc.					
0: keyboard control ("LOCAL / REMOTE" lights out); Operate command control by using RUN, STOP/RESET Keys on the operation panel.					
1: terminal block control ("LOCAL / REMOTE" lights up); Operate command control by using multi-function input terminals FWD, REV or FJOG.					
2: communication command control("LOCAL / REMOTE" flashes) Gives the run command from the host computer through the means of communication. Select this option, the optional communication card(Modbus card) is required .					
3.keyboard+communication command control Operation panel and communication command control.					
4.keyboard+terminal block+communication command control Operation panel, terminal block and communication command control.					
F0.12	Binding	Units digit	Keyboard command binding frequency		

frequency source for command source	source selection		000	☆	
	Not binded				0
	Keyboard set frequency				1
	AI1				2
	AI2				3
	Panel encoder				4
	High-speed pulse setting				5
	Multi-speed				6
	Simple PLC				7
	PID				8
Communications reference		9			
Tens digit	Terminal block command binding frequency source selection (0 to 9, same as units digit)				
Hundreds digit	Communication command binding frequency source selection (0 to 9, same as units digit)				
<p>Define the combination of 3 operation command channels and 9 frequency reference channels for easily synchronously switching.</p> <p>The principle for above frequency source reference channel is same as frequency source master setting selection F0.03, please see the description of F0.03 function code. The different running command channel can be bundled with the same frequency reference channel. When command source has the available frequency source for bundling, in the valid period of command source, the set frequency source by F0.03 to F0.07 is no longer valid.</p>					
F0.13	Acceleration time 1	0.00s~6500s	-	☆	
F0.14	Deceleration time 1	0.00s~6500s	-	☆	
<p>Acceleration time refers to the required time when the inverter accelerates from zero frequency to F0.16.</p> <p>Deceleration time refers to the required time when the inverter decelerates from F0.16 to zero frequency.</p> <p>ST500 provides four groups of ac/deceleration time, user can select by using the digital input terminal DI, as follows:</p> <p>The first group: F0.13, F0.14;                      The third group: F7.10, F7.11;  The second group: F7.08, F7.09;                      The fourth group: F7.12, F7.13.</p>					
F0.15	Ac/Deceleration time unit	1 second	0	1	★
		0.1 second	1		
		0.01 second	2		
<p>To meet the demand of the various on-site, ST500 provides three kinds of time unit: 1 second, 0.1 second and 0.01 second respectively.</p> <p>Note: when modifying the function parameters, the number of decimal places that the four groups of ac/deceleration time displayed will change, and all ac/deceleration times will change accordingly.</p>					
F0.16	Ac/deceleration time reference frequency	Maximum frequency (F0.19)	0	0	★
		Set frequency	1		
		100Hz	2		
<p>Ac/deceleration time refers to the required time from zero frequency to F0.16 or from F0.16 to zero frequency.</p> <p>When F0.16 selects 1, the ac/deceleration time depends on the set frequency, if the set frequency change frequently, and the acceleration of the motor is varied, please use with caution.</p>					
F0.17	Carrier frequency adjustment as per temperature	NO	0	0	☆
		YES	1		
<p>The adjustment of carrier frequency refers to that the inverter automatically adjusts the carrier frequency according to the radiator temperature, so as to reduce the carrier frequency .when the radiator temperature rises, and to restore the carrier frequency when the radiator temperature reduces.</p>					



F0.18	Carrier Frequency	0.5kHz to 16.0kHz	-	☆																
<p>This function is mainly used for improving the noise and vibration phenomena that the inverter operation may occur. If the carrier frequency is higher, there are more ideal current waveform and less motor noise. It is very applicable in the place to be muted. But at this time, the switching loss of main components is large, the whole unit fevers, the efficiency decreases and the output reduces. At the same time, there is a bigger radio interference, another problem is that the capacitive leakage current increases when running at the high carrier frequency, the equipped leakage protective device may cause malfunction or overcurrent.</p> <p>When running at the low carrier frequency, the above-mentioned phenomenon are opposite.</p> <p>There are different responds to carrier frequency for the different motors. The best carrier frequency can be obtained based on the Actual situation adjustment. However, with the increase of motor capacity, the smaller carrier frequency should be selected. This company reserves the right to limit the maximum carrier frequency.</p> <p>The adjustment of carrier frequency will have impacts on the following performances:</p> <table border="1" data-bbox="193 478 972 702"> <tr> <td>Carrier Frequency</td> <td>Low → high</td> </tr> <tr> <td>Motor noise</td> <td>Large → small</td> </tr> <tr> <td>Output current waveform</td> <td>Poor → good</td> </tr> <tr> <td>Motor temperature</td> <td>High → low</td> </tr> <tr> <td>Inverter temperature</td> <td>Low → high</td> </tr> <tr> <td>Leakage current</td> <td>Small → large</td> </tr> <tr> <td>External radiation and interference</td> <td>Small → large</td> </tr> </table> <p>Note: the larger the carrier frequency, the higher the whole unit temperature</p>					Carrier Frequency	Low → high	Motor noise	Large → small	Output current waveform	Poor → good	Motor temperature	High → low	Inverter temperature	Low → high	Leakage current	Small → large	External radiation and interference	Small → large		
Carrier Frequency	Low → high																			
Motor noise	Large → small																			
Output current waveform	Poor → good																			
Motor temperature	High → low																			
Inverter temperature	Low → high																			
Leakage current	Small → large																			
External radiation and interference	Small → large																			
F0.19	Maximum output frequency	50.00Hz~3200.0Hz	50.00Hz	★																
<p>If analog input, pulse input (DI5) or multi-stage command in ST500 is selected as frequency source, the respective 100.0% is calibrated relative to the parameter.</p> <p>When ST500 maximum output frequency reaches up to 3200Hz, in order to take into account the two indexes of frequency command resolution and frequency input range, the number of decimal places for frequency command can be selected by F0.02 .</p> <p>When F0.02 selects 1, the frequency resolution is 0.1Hz, at this time F0.19 can be set in the range from 50.0Hz to 3200.0Hz; When F0.02 selects 2, the frequency resolution is 0.01Hz, at this time F0.19 can be set in the range from 50.00Hz to 320.00Hz.</p>																				
F0.20	Upper limit frequency source	<table border="1" data-bbox="423 954 929 1161"> <tr> <td>F0.21 setting</td> <td>0</td> </tr> <tr> <td>AI1</td> <td>1</td> </tr> <tr> <td>AI2</td> <td>2</td> </tr> <tr> <td>Panel encoder setting</td> <td>3</td> </tr> <tr> <td>High-speed pulse setting</td> <td>4</td> </tr> <tr> <td>Communications reference</td> <td>5</td> </tr> <tr> <td>F0.21 setting</td> <td>6</td> </tr> <tr> <td>AI3</td> <td></td> </tr> </table>	F0.21 setting	0	AI1	1	AI2	2	Panel encoder setting	3	High-speed pulse setting	4	Communications reference	5	F0.21 setting	6	AI3		0	★
F0.21 setting	0																			
AI1	1																			
AI2	2																			
Panel encoder setting	3																			
High-speed pulse setting	4																			
Communications reference	5																			
F0.21 setting	6																			
AI3																				
<p>Setting upper limit frequency. The upper limit frequency can be set from either digital setting (F0.21) or analog input channels. If the upper limit frequency is set from analog input, the set 100% of analog input is relative to F0.19.</p> <p>To avoid the "Runaway", the setting of upper limit frequency is required, when the inverter reaches up to the set upper limit frequency value, the inverter will remain operation at the upper limit frequency, no further increase.</p>																				
F0.21	Upper limit frequency	F0.23 (lower limit frequency) to F0.19 (maximum frequency)	50.00Hz	☆																
F0.22	Upper limit frequency offset	0.00Hz to F0.19 (maximum frequency)	0.00Hz	☆																
<p>When the upper limit frequency is set from the analog or the high-speed pulse, F0.22 will be used as the offset of set value, the overlay of the offset frequency and F0.20 is used as the set value of the final upper limit frequency.</p>																				

F0.23	Lower limit frequency	0.00Hz to F0.21 (upper limit frequency)		0.00Hz	☆
When the frequency command is lower than the lower limit frequency set by F0.23, the inverter can shut down, and then run at the lower limit frequency or the zero speed, the running mode can be set by F7.18.					
F0.24	Running direction	Same direction	0	0	☆
		Opposite direction	1		
By changing the parameters, the motor steering can be achieved without changing the motor wiring, which acts as the adjustment of any two lines (U, V, W) of the motor to achieve the conversion of the motor rotation direction. Tip: after the parameter is initialized, the motor running direction will be restored to its original status. When the system debugging is completed, please use with caution where the change of motor steering is strictly prohibited.					
F0.25	Reserve				
F0.26	AI Simulation accuracy	0: 0.01Hz; 1: 0.05Hz; 2: 0.1Hz; 3: 0.5Hz		1	☆
AI analog input corresponding frequency resolution.					
F0.27	Inverter type	G type (constant torque load type)	1	-	●
		F type (fans/pumps load type)	2		
The parameters is only for user to view the factory model and can not be changed. 1: Suitable for constant torque load 2: Suitable for variable torque load (fans, pumps load)					

### 5-2-3. Input terminal: F1.00-F1.46

ST500 series inverters come standard with eight multifunctional digital input terminals (where DI5 can be used as high-speed pulse input terminal), and three analog input terminals.

Code	Parameter name	Setting range	Factory setting	Change
F1.00	DI1 terminal function selection	0~51	1	★
F1.01	DI2 terminal function selection	0~51	2	
F1.02	DI3 terminal function selection	0~51	8	
F1.03	DI4 terminal function selection	0~51	9	
F1.04	DI5 terminal function selection	0~51	12	
F1.05	DI6 terminal function selection	0~51	13	
F1.06	DI7 terminal function selection	0~51	0	
F1.07	DI8 terminal function selection	0~51	0	
F1.08	Undefined			
F1.09	Undefined			

These parameters are used to set the digital multi-function input terminal, the optional functions are shown in the following table:

Set value	Function	Description
0	No function	The terminal for not use can be set to "no function" to prevent accidental operation.
1	Forward run (FWD)	External terminals are used to control the FWD/REV run mode of inverter.
2	Reverse run (REV)	
3	Three-wire operation control	This terminal is used to determine the inverter's three-wire control mode. For details, please refer to the instructions of function code F1.10 ("terminal command mode).
4	Forward JOG(FJOG)	FJOG means Forward JOG running, RJOG means Reverse JOG

5	Reverse JOG(RJOG)	running. For Jog running frequency and Jog Ac/deceleration time, please refer to the description of the function code F7.00, F7.01, F7.02.
6	Terminal UP	Modify frequency increment/decrement command when the frequency is referenced by external terminal. Adjust up/down the set frequency when the digital setting is selected as the frequency source.
7	Terminal DOWN	
8	Free stop	The inverter output is blocked, at the time, the parking process of motor is not controlled by the inverter. This way is same as the principle of free stop described in F3.07.
9	Fault reset (RESET)	The function make use of terminal for fault reset. It has same function with RESET key on the keyboard. This function can be used to realize remote fault reset.
10	Run pausing	The inverter slows down and stops, but all operating parameters are memorized. Such as PLC parameters, wobble frequency parameters, and PID parameters. This terminal signal disappears, the inverter reverts to the previous state of running before parking.
11	External fault normally open input	When the signal is sent to the inverter, the inverter reports fault Err.15, and performs troubleshooting according to fault protection action (for details, please refer to the function code F8.17).
12	Multi-speed terminal 1	The setting of 16 stage speed or 16 kinds of other command can be achieved through the 16 states of the four terminals. For details, see Table 1
13	Multi-speed terminal 2	
14	Multi-speed terminal 3	
15	Multi-speed terminal 4	
16	Ac/deceleration time selection terminal 1	The selection of 4 ac/deceleration times can be achieved through the 4 states of the two terminals. For details, see Table 2
17	Ac/deceleration time selection terminal 2	
18	Frequency source switching	Used to switch between different frequency sources. According to frequency source selection function code (F0.07) settings, the terminal is used to switch between two frequency sources.
19	UP/DOWN setting (terminal, keyboard)	When the frequency reference is the digital frequency, this terminal is used to clear the changed frequency value by terminal UP/DOWN or keyboard UP/DOWN, so that the reference frequency can recover to the set value of F0.01.
20	Run command switch terminal 1	When the command source is set to the terminal control (F0.11 = 1), the terminal can be used to switch between terminal control and keyboard control. When the command source is set to the communication control (F0.11 = 2), the terminal can be used to switch between communication control and keyboard control.
21	Ac/deceleration prohibited	Ensure the inverter is free from external signals affect (except for shutdown command), maintain current output frequency.
22	PID pause	PID is temporarily disabled, the inverter maintains current output frequency, no longer performs PID adjustment of frequency source.

23	PLC status reset	When PLC pauses and runs again, this terminal is used to reset the inverter to the initial state of simple PLC.
24	Wobble pause	When the inverter outputs at center frequency. Wobble will pause
25	Counter input	Input terminal of the count pulse
26	Counter reset	Clear counter status
27	Length count input	Input terminal of the length count.
28	Length reset	Clear length
29	Torque control prohibited	When the inverter torque control is prohibited, the inverter will enter speed control mode.
30	High-speed pulse input (only valid for DI5)	DI5 is used as pulse input terminal.
31	Reserve	Reserve
32	Immediately DC braking	If the terminal is active, the inverter switches directly to DC braking status
33	External fault normally closed input	When the signal of external fault normally closed input is inputted into the inverter, the inverter will report fault Err.15 and shutdown.
34	Frequency change enable	If the function is set to be valid, when the frequency changes, the inverter does not respond to frequency changes until the terminal state is invalid.
35	PID action direction as reverse	If the terminal is valid, PID action direction opposites to the direction set by E2.03
36	External parking terminal 1	Under keyboard control mode, the terminal can be used to stop the inverter, same as STOP key on the keyboard.
37	Control command switch terminal 2	Used to switch between terminal control and communication control. If the command source is selected as terminal control, the system will be switched to the communication control mode when the terminal is active; and vice versa.
38	PID integral pause	When the terminal is active, the PID integral adjustment function is paused, but the proportion and differential adjustments of PID are still valid.
39	Switch between frequency source master setting and preset frequency	When the terminal is active, the frequency source A is replaced by the preset frequency (F0.01)
40	Switch between frequency source auxiliary setting and preset frequency	When the terminal is active, the frequency source B is replaced with the preset frequency (F0.01)
41	Reserve	
42	Reserve	
43	PID parameter switching	When DI terminal (E2.19 = 1) is used to switch PID parameters, if the terminal is invalid, PID parameters use E2.13 to E2.15; if the terminal is valid, PID parameters use E2.16 to E2.18
44	Custom fault 1	When custom fault 1 and custom fault 2 are active, the inverter respectively alarms fault Err.27 and fault Err.28, and deals with them according to the mode selected by the fault protection action F8.19.
45	Custom fault 2	

46	Speed control / torque control switching	Switch between speed control mode and torque control mode under vector control mode. If the terminal is invalid, the inverter will run at the mode defined by FA.00 (speed/torque control mode); if the terminal is valid, the inverter will be switched to another mode.
47	Emergency parking	If the terminal is valid, the inverter will park at the fastest speed, and the current maintains at the set upper limit during the parking process. This function is used to meet the requirements that the inverter needs to stop as soon as possible when the system is in a emergency state.
48	External parking terminal 2	In any control mode (keyboard control, terminal control, communication control), the terminal can be used to decelerate the inverter until stop, at the time the deceleration time is fixed for deceleration time 4.
49	Deceleration DC braking	If the terminal is valid, firstly the inverter decelerates to the initial frequency of stop DC braking, and then switches directly to DC braking status.
50	Clear current running time	If the terminal is valid, the inverter's current running time is cleared.
51	Jog order3(set F7.54)	Jog running order, direction set through F7.54

Table 1 Multi command functions description

Over 4 segments command terminal, can be combined into 16 states, each state corresponds to the 16 instruction set value. As shown in Table 1 below:

K4	K3	K2	K1	Command setting	Parameters
OFF	OFF	OFF	OFF	0-stage speed setting 0X	E1.00
OFF	OFF	OFF	ON	1-stage speed setting 1X	E1.01
OFF	OFF	ON	OFF	2-stage speed setting 2X	E1.02
OFF	OFF	ON	ON	3-stage speed setting 3X	E1.03
OFF	ON	OFF	OFF	4-stage speed setting 4X	E1.04
OFF	ON	OFF	ON	5-stage speed setting 5X	E1.05
OFF	ON	ON	OFF	6-stage speed setting 6X	E1.06
OFF	ON	ON	ON	7-stage speed setting 7X	E1.07
ON	OFF	OFF	OFF	8-stage speed setting 8X	E1.08
ON	OFF	OFF	ON	9-stage speed setting 9X	E1.09
ON	OFF	ON	OFF	10-stage speed setting 10X	E1.10
ON	OFF	ON	ON	11-stage speed setting 11X	E1.11
ON	ON	OFF	OFF	12-stage speed setting 12X	E1.12
ON	ON	OFF	ON	13-stage speed setting 13X	E1.13
ON	ON	ON	OFF	14-stage speed setting 14X	E1.14
ON	ON	ON	ON	15-stage speed setting 15X	E1.15

When multi-speed is selected as frequency source, the 100.0% of function code E1.00 to E1.15 corresponds to maximum frequency F0.19. Multi-stage command is used for the function of multi-speed, also for PID reference source to meet the need to switch between different reference values.

Table 2 - function description of ac/deceleration time selection terminal.

Terminal 2	Terminal 1	Ac/deceleration time selection	Parameters		
OFF	OFF	Acceleration time 1	F0.13, F0.14		
OFF	ON	Acceleration time 2	F7.08, F7.09		
ON	OFF	Acceleration time 3	F7.10, F7.11		
ON	ON	Acceleration time 4	F7.12, F7.13		

F1.10	Terminal command mode	Two-wire type 1	0	0	★
		Two-wire type 2	1		

	Three-wire type 1	2	
	Three-wire type 2	3	

This parameter defines four different modes to control inverter operation through external terminals.0: Two-wire type 1

This mode is the most commonly used two-wire mode. The forward/reverse operation of motor is determined by terminal DIx, DIy.

The terminal function is set as follows:

Terminals	Set value	Description
DIx	1	Forward run (FWD)
DIy	2	Reverse run (REV)

Of which, DIx and DIy are the multi-function input terminals of DI1 to DI10, the level is active.

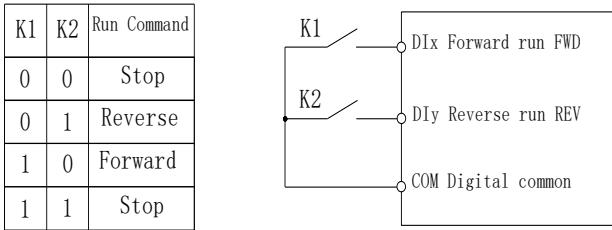


Figure 5-3:Terminal command mode: Two wire mode 1

1: Two-wire type 2

In the mode, DIx terminal is used as running enabled, while DIy terminal is used to determine running direction.

The terminal function is set as follows:

Terminals	Set value	Description
DIx	1	Forward run (FWD)
DIy	2	Reverse run (REV)

Of which, DIx and DIy are the multi-function input terminals of DI1 to DI10, the level is active.

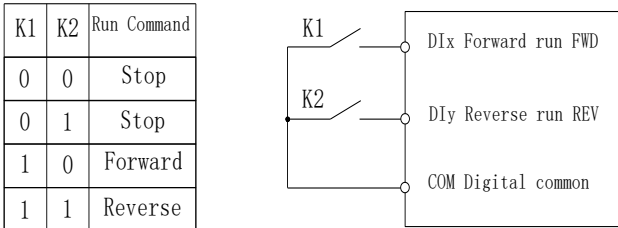


Figure 5-4:Terminal command mode: Two wire mode 2

2: Three-wire control mode 1

In the mode, DIIn is used as enabled terminal, while DIx, DIy terminal are used to control direction. The terminal function is set as follows:

Terminals	Set value	Description
DIx	1	Forward run (FWD)
DIy	2	Reverse run (REV)
DIIn	3	Three-wire operation control

To run, firstly close DIIn terminal, the forward or reverse of motor is controlled by the ascendant edge of DIx or DIy pulse

To stop, you must disconnect DIIn terminal signals Of which, DIx, DIy and DIIn are the multi-

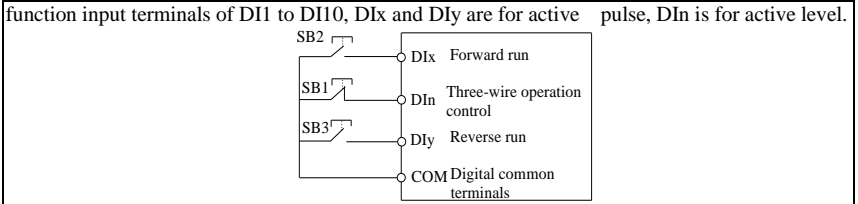


Figure 5-5: Three-wire control mode 1

Of which: SB1: Stop button SB2: Forward button SB3: Reverse button  
 3: Three-wire control mode 2

In the mode, DIn is the enabled terminal, the running commands are given by DIx, the direction is determined by the state of DIy.

The terminal function is set as follows:

Terminals	Set value	Description
DIx	1	Forward run (FWD)
DIy	2	Reverse run (REV)
DIn	3	Three-wire operation control

To run, firstly close DIn terminal, the motor run signal is generated by the ascendant edge of DIx, the motor direction signal is generated by DIy status

To stop, you must disconnect DIx terminal signals Of which, DIx, DIy and DIn are the multi-function input terminals of DI1 to DI10, DIx is for active pulse, DIy and DIn are for active level.

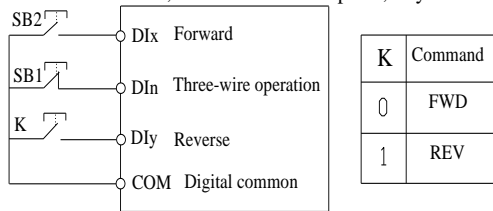


Figure 5-6: Three-wire control mode 2

Of which: SB1: Stop button SB2: Run button

F1.11	Terminal UP / DOWN change rate	0.001Hz/s~65.535Hz/s	1.000Hz/s	☆
-------	--------------------------------	----------------------	-----------	---

Used to set terminal UP/DOWN adjustment frequency, the rate of frequency change, i.e. frequency change amount per second.

When F0.02 (frequency decimal point) is 2, the value range is 0.001Hz/s to 65.535Hz/s.

When F0.02 (frequency decimal point) is 1, the value range is 0.01Hz/s to 655.35Hz/s.

F1.12	Minimum input for AI Curve 1	0.00V to F1.14	0.30V	☆
F1.13	F1.12 corresponding setting	-100.0% to 100.0%	0.0%	☆
F1.14	Maximum input for AI Curve 1	F1.12 to 10.00V	10.00V	☆
F1.15	F1.14 corresponding setting	-100.0% to 100.0%	100.0%	☆

The above function codes are used to set the relationship between analog input voltage and its representatives set value.

When the analog input voltage is more than the set Maximum Input (F1.14), the analog voltage takes the Maximum Input as the calculated value, Similarly, when the analog input voltage is less than the set Minimum Input (F1.12), according to the Setting Selection For AI Less Than Minimum Input (F1.25), the analog voltage takes Minimal Input or 0.0% as the calculated value.

When the analog input is the current input, 1mA current is equivalent to 0.5V voltage.

All input filter time is used to set All software filter time, When the on-site analog quantity is easily interfered, please increase the filter time to stabilize the detected analog quantity, but the greater filter time, the slower analog detection response, the proper setting method depends on the

actual application.

In the different applications, the 100.0% of analog setting vary from the meaning of its corresponding nominal value, please refer to the description of each application for details.

The three legends are for two typical settings.

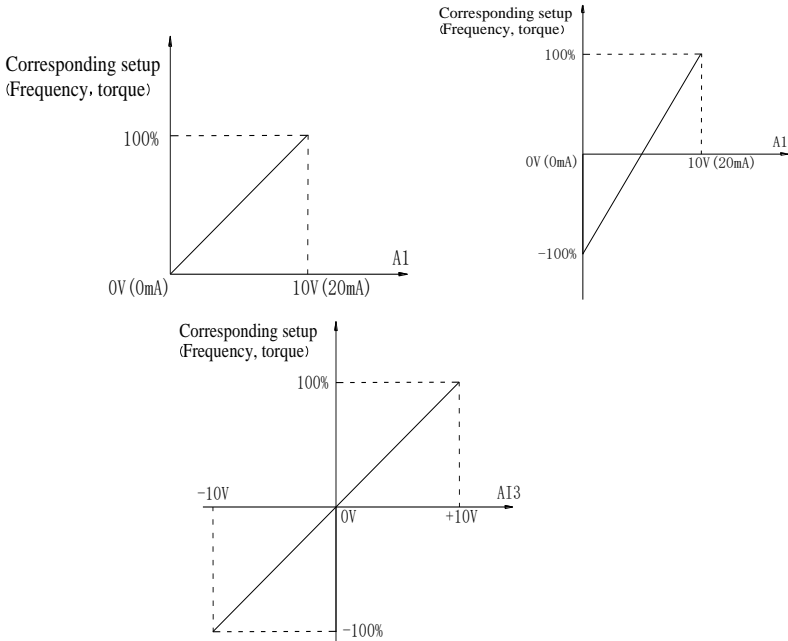


Figure 5-7:Relationship between analog reference and set amount

F1.16	Minimum input for AI Curve 2	0.00V~F1.18	0.00V	☆
F1.17	F1.16 Corresponding to the set	-100.0%~100.0%	0.0%	☆
F1.18	AI Curve 2 max. input	F1.16~+10.00V	10.00V	☆
F1.19	F1.18 Corresponding to the set	-100.0%~100.0%	100.0%	☆
For the function and use of curve 2, please refer to the description of curve 1.				
F1.20	Minimum input for AI Curve 3	0.00V~F1.22	0.00V	☆
F1.21	F1.20 Corresponding to the set	-100.0%~100.0%	0.0%	☆
F1.22	AI Curve 3 Maximum input	F1.20~+10.00V	10.00V	☆
F1.23	F1.22 Corresponding to the set	-100.0%~100.0%	100.0%	☆

For the function and use of curve 3, please refer to the description of curve 1.

F1.24	AI curve selection	Units digit	AI1 curve selection		321	☆
		Curve 1 (2 points, refers to F1.12~F1.15)	1			
		Curve 2 (2 points, refers to F1.16~F1.19)	2			
		Curve 3 (2 points, refers to F1.20~F1.23)	3			
		Tens digit	AI2 curve selection (1-3, the same as the units digit)			
Hundreds digit	AI3 curve selection (1-3, the same as the units digit)					

Units digit, tens digit and hundreds digit of the function code are used to respectively select the corresponding set curves of analog input AI1, AI2, AI3.

3 analog input can respectively select any one of 3 curves.

Curve 1, curve 2 and curve 3 are 2-point curve, they are set in F1 function code.



F1.25	AI input setting selection	Units digit	AI1 Below the minimum input setting selection		000	☆	
		Corresponding to the minimum input set					0
		0.0%					1
		Tens digit	Setting selection for AI2 less than minimum input(0 to 1, ditto)				
		Hundreds digit	Setting selection for AI3 less than minimum input(0 to 1, ditto)				
<p>The function code is used to set analog quantity and its corresponding setting when the analog input voltage is less than the set Minimum Input.</p> <p>Units digit, tens digit and hundreds digit the function code respectively correspond to the analog input AI1, AI2, AI3. If 0 is selected, when the analog input is less than the Minimum Input, the setting corresponding to the analog amount is the setting of minimum input of the function code curve (F1.13, F1.17, F1.21).</p> <p>If 1 is selected, when the analog input is less than the minimum input, the setting corresponding to the analog amount is 0.0%.</p>							
F1.26	HDI Minimum pulse input		0.00kHz~F1.28	0.00kHz	☆		
F1.27	F1.26 Corresponding to the set		-100.0%~100.0%	0.0%	☆		
F1.28	HDI Maximum input		F1.26~100.00kHz	50.00kHz	☆		
F1.29	F1.28 Corresponding to the set		-100.0%~100.0%	100.0%	☆		
<p>This group function code is used to set the relationship between DI5 pulse frequency and its corresponding setting.</p> <p>Pulse frequency can be inputted into the inverter only through DI5 channel. The application on this group of functions is similar to curve 1, please refer to the description of curve 1.</p>							
F1.30	DI filter time		0.000s~1.000s	0.010s	☆		
<p>Set software filter time for DI terminals status. For the application that input terminals are vulnerable to interference and cause the accidental operation, you can increase this parameter so as to enhance the anti-interference ability. However, the increase of filter time will cause DI terminal slow response.</p>							
F1.31	AI1 filter time		0.00s~10.00s	0.10s	☆		
F1.32	AI2 filter time		0.00s~10.00s	0.10s	☆		
F1.33	Panel encoder/AI3 filter time		0.00s~10.00s	0.10s	☆		
F1.34	HDI filter time		0.00s~10.00s	0.00s	☆		
F1.35	DI terminal Mode Selection 1	Units digit	DI1 Terminal active state set		00000	★	
		high level active					0
		Low level active					1
		Tens digit	DI2 Terminal active state set (0~1, same as the units digit)				
		Hundreds digit	DI3 Terminal active state set (0~1, same as the units digit)				
		Thousands digit	DI4 Terminal active state set (0~1, same as the units digit)				
		Ten thousands digit	DI5 Terminal active state set (0~1, same as the units digit)				
F1.36	DI terminal mode selection 2	Units digit	DI6 Terminal active state set		00000	★	
		high level active					0
		Low high level active					1
		Tens digit	DI7 Terminal active state set (0~1, same as the units digit)				
		Hundreds digit	DI8 Terminal active state set (0~1, same as the units digit)				

		Thousands digit	DI9 Terminal active state set (0~1, same as the units digit)			
		Ten Thousands digit	DI10 Terminal active state set (0~1, same as the units digit)			
<p>For setting the digital input terminal of the active mode. When selecting high effective, appropriate DI terminal and COM communicated effectively, disconnect invalid. Select is low effective, appropriate DI terminal and COM connectivity invalid, disconnect effective.</p>						
F1.37	DI1 delay time	0.0s~3600.0s		0.0s	★	
F1.38	DI2 delay time	0.0s~3600.0s		0.0s	★	
F1.39	DI3 delay time	0.0s~3600.0s		0.0s	★	
<p>DI terminal for setting status changes, changes in the delay time of the inverter. Currently only DI1, DI2, DI3 with delay time setting function.</p>						
F1.40	Define the input terminal repeat	0: unrepeatable; 1: repeatable	0		★	
<p>0: unrepeatable Two different multi-function input terminals can not be set to the same function. 1: repeatable You can repeat two different multi-function input terminal can be set to the same function.</p>						
F1.41	Keyboard encoder X1	0~100.00%	0.00%		☆	
Keyboard encoder set value start point						
F1.42	Keyboard encoder X2	0~100.00%	100.00%		☆	
Keyboard encoder set value end point						
F1.43	Keyboard encoder setting value	0~100.00%	-		☆	
<p>Display keyboard encoder value, through the keyboard encoder can modify Settings under monitoring menu. Keyboard encoder Settings can be used as frequency analogy, setting frequency = maximum frequency x keyboard encoder Settings. Eg.: Keyboard encoder Settings can be used as a PID given value, PID given value=Keyboard encoder Settings.</p>						
F1.44	Keyboard encoder X1 correspondent value is Y1	-100.00%~+100.00%	0.00%		☆	
F1.45	Keyboard encoder X2 correspondent value is Y2	-100.00%~+100.00%	100.00%		☆	
Figure 5-8:Keyboard encoder X correspondent value is Y						
F1.46	Keyboard encoder control	Units digit	Keyboard encoder power-down to save state		00	☆
		Power-down save		0		
		Power down zero clear		1		
		Tensdigit	Keyboard encoder setting stop keep			
		Stop keep		0		
		With stop command, zero clear		1		
		Cleared at the end of down time		2		
		Hundreds digit		Reserve		
Thousands digit		Reserve				

## 5-2-4. Output terminal group: F2.00-F2.19

Code	Parameter name	Setting range	Factory setting	Change
F2.00	SPB terminal output selection	High speed pulse output	0	☆
		Switching output	1	
<p>SPB terminals are programmable multiplex terminal can be used as high-speed pulse output terminal, it can also be used as open collector output terminal.</p> <p>As a high-speed pulse output, the maximum frequency of the output pulse is 100kHz, high-speed pulse output of the correlation function refer to Note F2.06.</p>				
F2.01	Switching quantity output function selection (Open collector output terminal)	0~40	0	☆
F2.02	Relay 1 output function selection (TA1.TB1.TC1)	0~40	2	☆
F2.03	Undefined			
F2.04	SPA output function selection (collector open circuit output terminals)	0~40	1	☆
F2.05	Relay 2 output function selection (TA2.TB2.TC2)	0~40	1	☆
<p>Above 5 function code is used to select five digital output function. Multifunctional output terminal functions are as follows:</p>				
Setting value	Functions	Description		
0	No output	No output action		
1	Inverter running	Inverter is in running state, the output frequency (can be zero), the output ON signal.		
2	Fault output (fault down)	When the drive fails and downtime, the output ON signal.		
3	Frequency level detection FDT1 output	Please refer to the function code F7.23, F7.24's instructions.		
4	Frequency arrival	Please refer to the description of function code F7.25.		
5	Zero-speed running (no output when shutdown)	Inverter operation and the output frequency is 0, output ON signal. When the drive is shut down, the signal is OFF.		
6	Motor overload pre-alarm	Before the motor overload protection, according to the overload pre-alarm threshold value judgment, more than the pre-alarm threshold value output ON signal. Motor overload parameter settings refer to the function code F8.02 ~ F8.04.		
7	Inverter overload pre-alarm	Before the inverter overload occurs 10s, output ON signal. Setup counter arrive		
8	Setup counter arrive	When the count reaches the set value of E0.08, output ON signal. Specifies the count value reaches		
9	Specifies the count value reaches	When the count reaches the set value of E0.09, output ON signal. Counting Function Reference E0 group		
10	Length arrival	When the actual length of the detection of more than E0.05 set length, output ON signal.		
11	PLC cycle is complete	After simple PLC completes one cycle, the output of a pulse width of 250ms signal.		
12	Total running time arrival	Inverter total running time of more than F7.21 F6.07 set time, the output ON signal.		
13	Limited in frequency	When the set frequency exceeds the upper limit frequency or lower frequency, and output frequency is beyond the upper limit frequency or lower limit frequency, output ON signal.		
14	Torque limiting	Drive under the speed control mode, when the output torque		

		reaches the torque limit, the inverter is stall protection status, while the output ON signal.
15	Ready to run	When the inverter main circuit and control circuit power supply has stabilized, and the drive does not detect any fault information, the drive is in an operational state, output ON signal.
16	AI1>AI2	When the value of the analog input AI1 is greater than the value of AI2 input and output ON signal.
17	Upper frequency arrival	When the operating frequency reaches the upper frequency, output ON signal.
18	The lower frequency arrival (no output when shutdown)	When the operating frequency reaches the lower frequency, output ON signal. The next stop status signal is OFF.
19	Under voltage state output	When the inverter is in an undervoltage condition, output ON signal.
20	Communication setting	Refer to the communication protocol.
21	Reserve	Reserve
22	Reserve	Reserve
23	Zero-speed operation 2 (shutdown also output)	The inverter's output frequency is 0, output ON signal. The signal is also ON when shutdown.
24	Cumulative power-on time arrival	When the inverter's accumulated power on time (F6.08) over F7.20 the set time, the output ON signal.
25	Frequency level detection FDT2 output	Please refer to the function code F7.26, F7.27's instructions.
26	Frequency 1 reaches output	Please refer to the function code F7.28, F7.29's instructions.
27	Frequency 2 reaches output	Please refer to the function code F7.30, F7.31's instructions.
28	Current 1 reaches output	Please refer to the function code F7.36, F7.37's instructions.
29	Current 2 reaches output	Please refer to the function code F7.38, F7.39's instructions.
30	Timing reach output	When the timer function selection (F7.42) is valid, the drive time to reach this run after the set time runs out, output ON signal.
31	AI1 input overrun	When the value of analog input AI1 greater than F7.51 (AI1 input protection limit) or less than F7.50 (AI1 input protection under), output ON signal.
32	Off load	When the inverter is off-load state, output ON signal.
33	Reverse operation	Inverter in reverse run, output ON signal
34	0 current state	Refer to the description of function code F7.32, F7.33.
35	Module temperature reaches	Inverter module heatsink temperature (F6.06) reach the set module temperature reaches value (F7.40), output signal ON.
36	Software current limit	Please refer to the function code F7.34, F7.35's instructions.
37	The lower frequency arrival (stop and output)	When the operating frequency reaches the lower limit frequency, output ON signal. In shutdown state of the signal is also ON.
38	Alarm output	When the inverter failure, and the failure of the process to continue to run mode, the inverter alarm output.
39	Motor overtemperature pre-warning	When the motor temperature reaches F8.35 (motor overheat pre-alarm threshold), the output ON signal. (Motor temperature

		can be viewed at d0.41)		
40	Current running time of arrival	When the inverter starts running time is longer than the time set by F7.45, it outputs ON signal.		
F2.06	High-speed pulse output function selection	0~17	0	☆
F2.07	DA1 output function selection	0~17	2	☆
F2.08	DA2 output function selection	0~17	13	☆
<p>High-speed pulse output frequency range of 0.01kHz ~ F2.09 (high speed pulse output maximum frequency), F2.09 can be set between 0.01kHz ~ 100.00kHz.</p> <p>Analog Output DA1 and DA2 output range is 0V ~ 10V, or 0mA ~ 20mA. Pulse output or analog output range, with the corresponding scaling function relationship in the following table:</p>				
Setting value	Functions	Description		
0	Running frequency	0~Max. output frequency		
1	Set frequency	0~Max. output frequency		
2	Output current	0~2 times the motor rated current		
3	Output torque	0~2 times the motor rated torque		
4	Output power	0~2 times rated power		
5	Output voltage	0~1.2 times inverter rated voltage		
6	High speed pulse input	0.01kHz~100.00kHz		
7	Analog AI1	0V~10V (or 0~20mA)		
8	Analog AI2	0V~10V (or 0~20mA)		
9	Analog AI3	0V~10V		
10	Length value	0~Max. setting length		
11	The count value	0~Max. count value		
12	Communication set	0.0%~100.0%		
13	Motor speed	0~Max. output frequency correspondent speed		
14	Output current	0.0A~100.0A (Inverter power≤55kW); 0.0A~1000.0A (Inverter power>55kW)		
15	DC bus voltage	0.0V~1000.0V		
16	Reserved	Reserve		
17	Frequency source main set	0~Max. output frequency		
F2.09	Maximum frequency of high-speed pulse	0.01kHz~100.00kHz	50.00kHz	☆
When the SPB terminal as a pulse output, the function code is used to select the maximum output pulse frequency value.				
F2.10	SPB output delay	0.0s~3600.0s	0.0s	☆
F2.11	Relay 1 output delay time	0.0s~3600.0s	0.0s	☆
F2.12	Expansion card DO output delay time	0.0s~3600.0s	0.0s	☆
F2.13	SPA output delay time	0.0s~3600.0s	0.0s	☆
F2.14	Relay 2 output delay time	0.0s~3600.0s	0.0s	☆
Set the output terminal SPA, SPB, relay 1, relay 2, delay time of changing from the state produced to the actual output differentiated.				
F2.15	DO terminal active status selection	Units digit	SPB switching active status selection	
		Positive	0	
		Negative	1	
		Tens digit	Relay 1 active setting (0 to 1, as defined in units digit)	
		Hundreds digit	Reserve	
		Thousands digit	SPA Terminal active state settings (0 to 1, as defined in units digit)	
		Tens thousand	Relay 2 active setting (0 to 1, as	
			00000	☆

	digit	defined in units digit)		
Define the output terminal SPA, SPB, relay 1, relay 2 output logic. 0: positive, digital output terminal and the corresponding public terminal connectivity to the active state, disconnecting is inactive state; 1: negative, digital output terminal and the corresponding public terminal connectivity to the inactive state, disconnecting is active state.				
F2.16	DA1 zero bias coefficient	-100.0%~+100.0%	0.0%	☆
F2.17	DA1 gain	-10.00~+10.00	1.00	☆
F2.18	DA2 zero bias coefficient	-100.0%~+100.0%	20.0%	☆
F2.19	DA2 gain	-10.00~+10.00	0.80	☆
The above function codes generally used to bias the output amplitude of zero drift and correcting the analog output. It can also be used to customize the desired analog output curve. Calculation relationship with DA1 example: y1 represents DA1 minimum output voltage or current value; y2 represents DA1 maximum output voltage or current value $y1=10V$ or $20mA * F2.16 * 100\%$ ; $y2=10V$ or $20mA * (F2.16 + F2.17)$ ; Factory Default $F2.16 = 0.0\%$ , $F2.17 = 1$ , so the output $0 \sim 10V$ (or $0 \sim 20mA$ ) corresponding to characterize the physical minimum value to characterize the physical maximum. Example 1: $0 \sim 20mA$ output will be changed to $4 \sim 20mA$ The minimum input current value from the formula: $y1 = 20mA * F2.16 * 100\%$ , $4 = 20 * F2.16$ , calculated according to the formula $F2.16 = 20\%$ ; Maximum input current value by the formula: $y2 = 20mA * (F2.16 + F2.17)$ ; $20 = 20 * (20\% + F2.17)$ , calculated according to the formula $F2.17 = 0.8$ Example 2: $0 \sim 10V$ output will be changed to $0 \sim 5V$ The minimum input voltage value from the formula: $y1 = 10 * F2.16 * 100\%$ , $0 = 10 * F2.16$ , calculated according to the formula $F2.16 = 0.0\%$ ; The maximum input voltage value from the formula: $y2 = 10 * (F2.16 + F2.17)$ ; $5 = 10 * (0 + F2.17)$ , calculated according to the formula $F2.17 = 0.5$				

**5-2-5.Start and stop control group: F3.00-F3.15**

Code	Parameter name	Setting range	Factory setting	Change	
F3.00	Start-up mode	Direct startup	0	0	☆
		Speed tracking restart	1		
		Pre-excitation start (AC asynchronous motor)	2		
0: Directly startup If the start DC braking time is set to 0, the inverter starts running from the start frequency. If the start DC braking time is not set to 0, the inverter firstly performs DC braking and then starts running from the start frequency. Applicable for the small inertia load and the application that the motor may rotate when starting. 1: Speed tracking restart The inverter firstly judges the speed and direction of motor, and then starts at the tracked motor frequency, smoothly starts the rotating motor without shocks. Applicable for the momentary power cut and restart with high inertia loads. To ensure the performance of Speed Tracking Restart, it is required to accurately set the parameters of motor b0 group. 2: Asynchronous motor pre-excitation start It is valid only for asynchronous motors, used to firstly create magnetic field before the motor running. Please refer to the instructions of function code F3.05, F3.06 for pre-excitation current and pre-excitation time If the pre-excitation time is set to 0, the inverter will cancel the pre-excitation process, and					

starts from the start frequency. If the pre-excitation time is not set to 0, the inverter will firstly perform pre-excitation process and then starts so as to improve the dynamic response performance of motor.					
F3.01	Speed tracking mode	0~2: Reserve		3	★
		Hard speed tracking mode	3		
<p>Hard speed tracking mode, automatically detect and track motor speed, no impact start to the rotating motor but smoothly.</p> <p>If you need to drive instant power-off restart, you need to set up F8.10 automatic reset more than 1.</p>					
F3.02	Speed tracking speed	1~100	20	☆	
When speed tracking restart, select speed tracking of speed, parameter smaller, the track faster. But is too small may cause tracking result is not reliable.					
F3.03	Start frequency	0.00Hz~10.00Hz	0.00Hz	☆	
F3.04	Hold time for start frequency	0.0s~100.0s	0.0s	★	
<p>When the inverter starts, firstly run at the start frequency, the running time is the hold time for start frequency, afterwards run at the frequency reference.</p> <p>The start frequency F3.03 is not limited by the lower limit frequency. But if the set target frequency is less than the start frequency, the inverter does not start and keeps in the standby state.</p> <p>The hold time for start frequency is inactive when switching between forward rotation and reverse rotation. The hold time for start frequency is not included in the acceleration time, but the simple PLC run-time. Example 1:</p> <p>F0.03=0            the frequency source is set to digital reference</p> <p>F0.01=2.00Hz    the digital set frequency is 2.00Hz</p> <p>F3.03=5.00Hz    the start frequency is 5.00Hz</p> <p>F3.04=2.0s        the hold time for start frequency is 2.0s, at this time, the inverter will be in the standby state with the output frequency of 0.00Hz.</p> <p>Example 2:</p> <p>F0.03=0            the frequency source is set to digital reference</p> <p>F0.01=10.00Hz    the digital set frequency is 10.00Hz</p> <p>F3.03=5.00Hz    the start frequency is 5.00Hz</p> <p>F3.04=2.0s        the hold time for start frequency is 2.0s</p> <p>At this point, the inverter accelerates to 5.00Hz for 2.0s, and then accelerates to the reference frequency of 10.00Hz.</p>					
F3.05	DC Pre-excitation current	0%~100%	0%	★	
F3.06	DC Pre-excitation time	0.0s~100.0s	0.0s	★	
<p>DC brake, generally used to stop and start the motor running. Pre-excitation is used to enable the establishment of magnetic field induction motor and then start to improve the response speed.</p> <p>DC brake is valid only in start-up mode for the direct start. At this point the drive to start first by setting the DC braking current DC braking, DC braking time after the start and then start running. If the set DC braking time is 0, no start directly after DC braking. DC braking current increases, the greater the braking force.</p> <p>If the start-up mode for the asynchronous machine to start pre-excitation, the drive pre-press set excitation current pre-established field, after the set pre-magnetizing time before starting operation. If the set pre-magnetizing time is 0, no pre-excitation processes started directly. DC brake current / pre-excitation current, is the percentage of relative inverter rated current.</p>					
F3.07	Stop mode	Deceleration stop	0	0	☆
		Free stop	1		
F3.08	DC start frequency	0.00Hz~F0.19(maximun-frequency)	0.00Hz	☆	
F3.09	DC waiting time	0.0s~100.0s	0.0s	☆	
F3.10	Stop braking current	0%~100%	0%	☆	
F3.11	Stop braking time	0.0s~100.0s	0.0s	☆	
DC Start Frequency: deceleration stop process, when the operating frequency to reduce the					

frequency to start DC braking process.

DC waiting time: at the operating frequency is reduced to shutdown DC brake starting frequency, the inverter will stop output for some time, and then start DC braking process. At high speed to prevent the start of DC braking can cause the overcurrent fault.

Stop braking current: DC braking means the output current, the percentage relative to motor nominal current. This value is larger the DC brake effect is stronger, but the greater the heat the motor and the inverter.

Stop braking time: DC braking time kept. This value is 0 DC braking process is canceled. DC injection braking process, see the diagram shown.

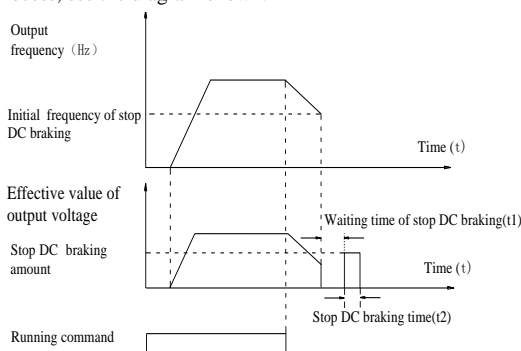


Figure 5-9:Schematic diagram of stop DC braking time

F3.12	Braking utilization rate	0%~100%		100%	☆
F3.13	Ac/deceleration mode	Linear acceleration and deceleration	0	0	★
		S curve acceleration and deceleration A	1		
		S curve acceleration and deceleration B	2		

Select the frequency change mode in the process of start/stop.

0: Linear acceleration and deceleration

The output frequency increases or decreases linearly. ST500 provides four kinds of acceleration and deceleration time. You can select by the multi-function digital input terminals (F1.00 to F1.08).

1: S curve acceleration and deceleration A

The output frequency increases or decreases at the S curve. S-curve is used for the occasion that requires to gently start or stop, such as elevators, conveyor belts, etc..The function code F3.14 and F3.15 respectively defined the proportion of S curve start-section and the proportion of S curve end-section

2: S curve acceleration and deceleration B

In the mode of S curve acceleration and deceleration B, the motor rated frequency fb is always the inflection point of S curve. Usually used for the occasion of high-speed regional above the rated frequency that requires rapid acceleration and deceleration.

When the frequency is higher than the rated frequency, the acceleration and deceleration are:

$$t = \left[ \frac{4}{9} \times \left( \frac{f}{f_b} \right)^2 + \frac{4}{9} \right] \times T$$

And , 'f' means the setting frequency, 'fb' means the rated frequency . 'T' means the time from 0 to rated frequency (fb).

F3.14	Proportion of S curve start-section	0.0%~(100.0%~F3.15)	30.0%	★
F3.15	Proportion of S curve end-section	0.0%~(100.0%~F3.14)	30.0%	★



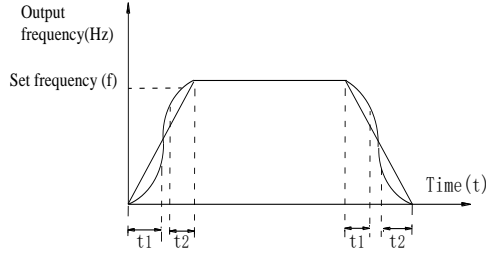


Figure 5-10:Schematic diagram of S curve ac/deceleration A

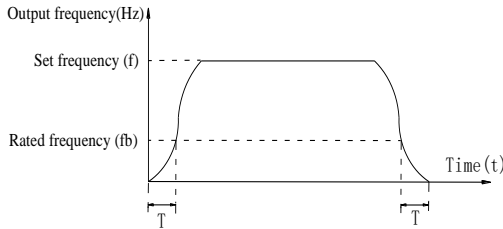


Figure 5-11:Schematic diagram of S curve ac/deceleration B

The function code F3.14 and F3.15 respectively defined the proportion of start-section and the proportion of end-section for S curve acceleration and deceleration A, the two function code must meet:  $F3.14 + F3.15 \leq 100.0\%$ .

In the Figure of the S-curve acceleration and deceleration A,  $t_1$  is the time parameter defined by F3.14, the slope of the output frequency variation during this period is gradually increasing.  $t_2$  is the time parameter defined by F3.15, the slope of the output frequency variation during the period is gradually changed to 0. Within the time between  $t_1$  and  $t_2$ , the slope of the output frequency variation is fixed, i.e. the linear acceleration and deceleration is achieved in this interval.

### 5-2-6.V/F control parameters: F4.00-F4.14

This group of function code is only valid to V/F control, invalid to vector control.

V/F control is suitable for fans, pumps and other universal loads, or one inverter control multiple motors, or for the applications that inverter power is significantly different from the motor power.

Code	Parameter name	Setting range		Factory setting	Change Limit
F4.00	V/F curve setting	Linear V/F	0	0	★
		Multi-point V/F	1		
		Square V/F	2		
		1.2th power V/F	3		
		1.4th power V/F	4		
		1.6th power V/F	6		
		1.8th power V/F	8		
		Reserve	9		
		V/F completely separate	10		
		V/F half separate	11		

0: linear V/F,Suitable for ordinary constant torque load.  
 1: multi-point V/F,Suitable for dehydrator, centrifuge and other special loads any V/F relationship curves can be obtained by setting parameters F4.03 to F4.08.  
 2: square V/F,Suitable for fans, pumps and centrifugal loads.

3 to 8: V/F relationship curve between linear V/F and square V/F.

10:VF separate completely mode. In this mode, the output frequency and output voltage is separated completely, no any relationship at all, the output frequency controlled by frequency source setting , but output voltage determined by F4.12 setting.(V/F separate voltage supply source ).V/F separated completely mode can suitable for in inductive heating, inverter power supply, torque motor, etc applications.

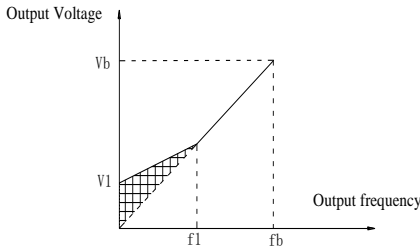
11: V/F semi-separate mode,V is proportional to F in this mode, but the proportional relationship can be set by F4.12 parameters, furthermore, the V and F proportion also relate to rated voltage of motor and rated frequency voltage in b0 group.Assume that input voltage source is X ( X value range from 0~100%), the output voltage V and output frequency F proportion relationship can be defined as :  $V/F=2*X*(\text{rated voltage of motor})/(\text{rated frequency of motor})$

F4.01	Torque boost	0.0% : automatic torque boost 0.1% to 30.0%	0.0%	★
F4.02	Torque boost cut-off frequency	0.00Hz to F0.19 (maximum frequency)	15.00Hz	★

Torque boost is mainly used to improve the characteristics of the torque low-frequency under V/F control mode. If the torque boost is too low, the motor will work at the lower speed and power. If the torque boost is too high, the motor will run with overexcitation, the inverter's output current increases and the efficiency is reduced.

It is recommended to increase this parameter when the motor works with heavy load but without enough torque. The torque boost can be reduced when the load is lighter. When the torque boost is set to 0.0, the inverter will automatically perform torque boost, the inverter can automatically calculates the required torque boost value according to the motor stator resistance parameters.

Torque boost cutoff frequency: torque boost is valid below this frequency, invalid above the set frequency.



V1: Manual torque boost voltage Vb: Maximum output voltage  
f1: Manual torque boost cut-off frequency fb: Rated operating frequency

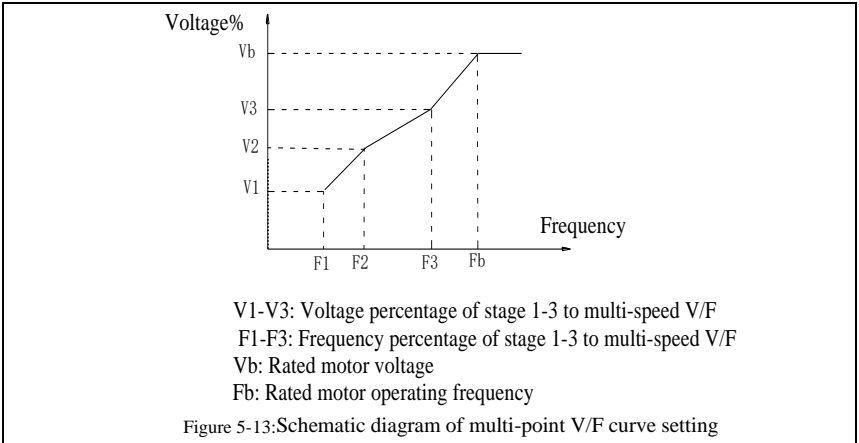
Figure 5-12:Schematic diagram of manual torque boost voltage

F4.03	Multi-point V/F frequency point F1	0.00Hz~F4.05	0.00Hz	★
F4.04	Multi-point V/F voltage point V1	0.0%~100.0%	0.0%	★
F4.05	Multi-point V/F frequency point F2	F4.03~F4.07	0.00Hz	★
F4.06	Multi-point V/F voltage point V2	0.0%~100.0%	0.0%	★
F4.07	Multi-point V/F frequency point F3	F4.05~b0.04 (rated motor frequency)	0.00Hz	★
F4.08	Multi-point V/F voltage point V3	0.0%~100.0%	0.0%	★

F4.03 to F4.08 six parameters are used to define multi-point V/F curve.

The multi-point V/F curve is set according to the load characteristics of motor, please be noted that the relationship between three voltage points and three frequency points must be met:  $V1 < V2 < V3$ ,  $F1 < F2 < F3$ . The setting of multi-point V/F curve is as shown in below figure.

In the state of low frequency, if the voltage is set to a higher value, which may cause motor overheating, even burning, the inverter may appear overcurrent stall or overcurrent protection.



F4.09	V/F slip compensation gain	0%~200.0%	0.0%	☆
-------	----------------------------	-----------	------	---

This parameter is valid only for asynchronous motors.  
 V/F slip compensation can compensate for the speed deviation of asynchronous motor when the load increases, so as to keep stable speed when the load changes.  
 If V/F slip compensation gain is set to 100.0%, it means that the compensated deviation is equal to the rated motor slip under the rated motor load mode, while the rated motor slip can be calculated through b0 group of motor rated frequency and rated speed.  
 When adjusting V/F slip compensation gain, generally it is based on the principle that the motor speed is same as the target speed. When the motor speed is different from target value, it is necessary to appropriately fine-tune the gain.

F4.10	V/F overexcitation gain	0~200	80	☆
-------	-------------------------	-------	----	---

In the process of the inverter's deceleration, the over-excitation control can suppress the rise of bus voltage to avoid overvoltage fault. The greater overexcitation gain, the stronger the inhibitory effect.  
 For the occasions that the inverter's deceleration too easily causes overvoltage alarm, the overexcitation gain needs to be improved. But if overexcitation gain is too large, it easily leads to the increase of output current; you need to weigh in practical applications.  
 For the small inertia occasions where the inverter's deceleration will not cause much voltage rise, it is recommended to set overexcitation gain as 0; that value is also suitable for the configuration with braking resistor.

F4.11	V/F oscillation suppression gain	0~100	0	☆
-------	----------------------------------	-------	---	---

The method of selecting gain is take the value as smaller as possible with the premise that effectively suppressing oscillation, in order to avoid the adverse affect caused by V/F running. Please select 0 as the gain when the motor has not oscillation phenomenon. Only increase gain value when the motor has obvious oscillation, the greater gain, the more obvious the suppression of oscillation.  
 When using the function of oscillation suppression, which requires that the motor's rated current and no-load current parameters must be accurate, otherwise V/F oscillation suppression is ineffective.

F4.12	V/F separation voltage source	Digital setting (F4.13)	0	0	☆
		AI1	1		
		AI2	2		
		Panel potentiometer	3		
		High-speed pulse setting (DI5)	4		
		Multistage instruction setting	5		
Simple PLC	6				

		PID	7		
		Communications given	8		
		Analog AI3 setting	9		
		100.0% Corresponding to the motor rated voltage(b0.02)			
F4.13	V/F separation voltage digital setting	0V to rated motor voltage		0V	☆
F4.14	V/F separation voltage rise time	0.0s to 1000.0s		0.0s	☆

**5-2-7.Vector control parameters: F5.00-F5.15**

F5 function code is only valid to vector control, invalid to V/F control

Code	Parameter name	Setting range	Factory setting	Change Limit
F5.00	Proportion of speed loop G1	1~100	30	☆
F5.01	Speed loop integral T1	0.01s~10.00s	0.50s	☆
F5.02	Switching frequency 1	0.00~F5.05	5.00Hz	☆
F5.03	Proportion of speed loop G2	1~100	20	☆
F5.04	Speed loop integral T2	0.01s~10.00s	1.00s	☆
F5.05	Switching frequency 2	F5.02~F0.19(max frequency)	10.00Hz	☆

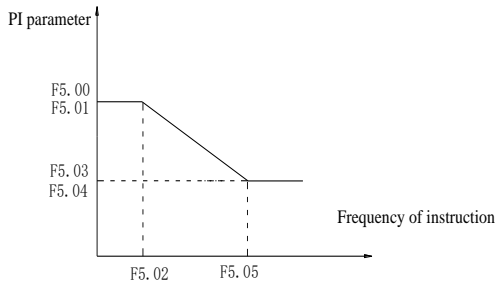


Figure 5-14:PI parameter diagram

Converter operating in different frequency can choose different speed ring PI parameters. Operating frequency is less than the switching frequency 1 (F5.02), speed ring PI control parameters for F5.00 and F5.01. Operating frequency is greater than the switching frequency 2 (F5.05), speed in PI control parameters for F5.03 and F5.04. The speed ring PI parameters of switching frequency 1 and switching frequency 2 are for the two groups of PI parameter linear switching, as shown in figure:

Through the set speed regulator proportion coefficient and the integral time, can adjust the speed of the vector control dynamic response characteristics.

Gain take large, quick response, but will produce oscillation; Gain take small, response lag.

Integral time is too large, slow response, external interference control variation; Integral time small, better reaction speed, but too small happen oscillation.

Set this value to considering the control stability and response speed, if the factory parameters can't meet the requirements in the factory value based on parameter adjustment, first increase proportion gain to ensure that the system is not oscillation; Then reduce integration time, make the system have faster response, while not letting overshoot get too big.

Note: if the PI parameters Settings, may lead to excessive speed overshoot. Even in overshoot back occurs when overvoltage fault.

F5.06	Speed loop integral	valid	0	0	☆
		invalid	1		

F5.07	Torque limit source under speed control mode	Function code F5.08 setting	0	0	☆
		AI1	1		
		AI2	2		
		Panel potentiometer setting	3		
		High-speed pulse setting	4		
		Communication setting	5		
		Min(AI1, AI2)	6		
		Max(AI1, AI2)	7		
	AI3 setting	8			
F5.08	Upper limit digital setting for lower torque under speed control mode	0.0% to 200.0%	150.0%	☆	
<p>In speed control mode, the maximum value of inverter output torque is controlled by the torque upper limit source.</p> <p>F5.07 is used to select the setting source of torque upper limit, when it is set by analog, high-speed pulse or communication, the set 100% corresponds to F5.08, the 100% of F5.08 is the inverter's rated torque.</p>					
F5.09	Vector control differential gain	50% to 200%	150%	☆	
<p>For the sensorless vector control, the parameter can be used to adjust the motor speed and stability: if the speed of motor with load is low, increases the parameter and vice versa decreases.</p>					
F5.10	Speed loop filter time constant	0.000s~0.100s	0.000s	☆	
<p>Under vector control mode, properly increases the filter time when speed fluctuate wildly; but do not excessively increases, or the lag effect will cause shock.</p>					
F5.11	Vector control overexcitation gain	0~200	64	☆	
<p>In the process of the inverter's deceleration, the over-excitation control can suppress the rise of bus voltage to avoid overvoltage fault. The greater overexcitation gain, the stronger the inhibitory effect.</p> <p>For the occasions that the inverter's deceleration too easily causes overvoltage alarm, the overexcitation gain needs to be improved. But if overexcitation gain is too large, it easily leads to the increase of output current; you need to weigh in practical applications.</p> <p>For the small inertia occasions where the inverter's deceleration will not cause much voltage rise, it is recommended to set overexcitation gain as 0; that value is also suitable for the configuration with braking resistor.</p>					
F5.12	Excitation regulator proportional gain	0~60000	2000	☆	
F5.13	Excitation regulator integral gain	0~60000	1300	☆	
F5.14	Torque regulator proportional gain	0~60000	2000	☆	
F5.15	Torque regulator integral gain	0~60000	1300	☆	
<p>The regulator parameters of vector control current loop PI, the parameter will be obtained automatically after performing asynchronous motor parameters comprehensive auto tuning or synchronous motor parameters comprehensive auto tuning and generally do not need to modify it.</p> <p>It is reminded that the dimension that this current loop integral gain adopted is not the integration time, but the direct set integral gain. Therefore, if the setting of current loop PI gain is too large, this may cause oscillation of the entire control loop; in the event of oscillation, you can manually reduce PI proportional gain and integral gain.</p>					

### 5-2-8.Keyboard and display: F6.00-F6.19

Code	Parameter name	Setting range	Factory setting	Change limits
F6.00	STOP/RESET key functions	STOP/RESET key is enabled only under keyboard operation mode	0	☆
		STOP/RESET key is enabled under any operation mode	1	
F6.01	Running status display	0000 to FFFF	001F	☆

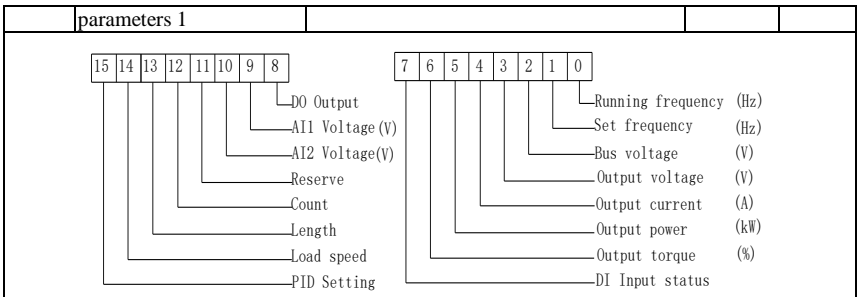


Figure 5-15: The figure is the Running status 1

If the above parameters need to be displayed in operation, firstly set its position to 1, and then set at F6.01 after converting the binary number to the hexadecimal number.

For example, if the load speed needs to be displayed in operation, the 14th in F6.01 should be setting to 1, if the AI voltage need to be displayed in operation, the 9th in F.6.01 should be setting to 1. If all of the related position are setting to 1 per the requirement, the data are show as follow:

tag number	15	14	13	12	11	10	9	8	7	6	5	4	3	2	1	0
number	0	1	1	1	1	0	1	0	0	1	0	0	1	1	1	1

The data will divided to 4 group.

tag number	15-12	11-8	7-4	3-0
number	0111	1010	0100	1111

After check the comparison of the binary number and the hexadecimal number, the data is 0x7A4F.

Binary	Hexadecimal	Binary	Hexadecimal	Binary	Hexadecimal	Binary	Hexadecimal
0000	0	0100	4	1000	8	1100	C
0001	1	0101	5	1001	9	1101	D
0010	2	0110	6	1010	A	1110	E
0011	3	0111	7	1011	B	1111	F

F6.02 Running status display parameters 2 0x0000~0xFFFF 0000 ☆

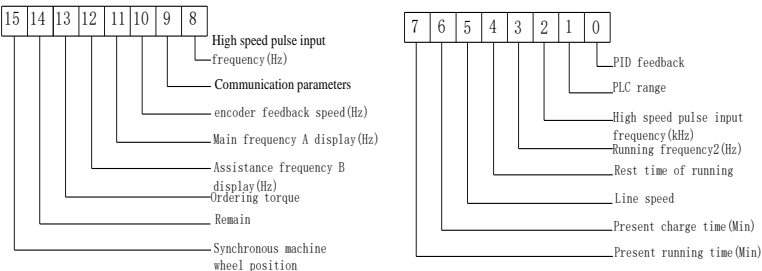


Figure 5-16: Run display 2

If the above parameters need to be displayed in operation, firstly set its position to 1, and then set at F6.02 after converting the binary number to the hexadecimal number.

Running status display parameters, which is used to set the parameters that can be viewed when the inverter is in operation.

There are 32 parameters available for viewing, select desired status parameters according to

F6.01, F6.02 binary parameter values, the display order starts from the lowest level of F6.01.				
F6.03	Stop status display parameters	0x0001~0xFFFF	0033	☆
Figure 5-17: Stop status				
If the above parameters need to be displayed on operation, firstly set its position to 1, and then set at F6.03 after converting the binary number to the hexadecimal number.				
F6.04	Load speed display coefficient	0.0001~6.5000	3.0000	☆
When load speed needs to be displayed, adjust the inverter's output frequency and load speed by using the parameter. Pls refer to the F6.05 for the specific correspondence				
F6.05	Decimal places for load speed display	0 decimal place	0	1 ☆
		1 decimal place	1	
		2 decimal places	2	
		3 decimal places	3	
Decimal places for load speed display The below example illustrates the calculation of load speed: If the load speed coefficient(F6.04) is 3.000, the number of decimal places of load speed(F6.05) is 2 (0 decimal places), when the inverter operating frequency reaches 40.00Hz, the load speed is : 40.00 * 3.000 = 1200 (0 decimal places display).If the inverter is shutdown, the load speed displays the speed relative to the set frequency, that is the "set load speed". If the set frequency is 50.00Hz, the load speed under the state of shutdown: 50.00 * 3.000 = 1500 (0 decimal places display)				
F6.06	Inverter module radiator temperature	0.0°C~100.0°C	-	●
Display the inverter module IGBT temperature.The different models of the inverter module vary IGBT overtemperature protection values.				
F6.07	Total run time	0h~65535h	-	●
Display the total run time of inverter When the run time reaches the set time(F7.21), the inverter's multi-function digital output function (12) outputs ON signal.				
F6.08	Total power-on time	0~65535h	-	●
Show the total time of inverter power-on, When the power-on time reaches the set time(F7.20), the inverter's multi-function digital output function(24) outputs ON signal.				
F6.09	Total power consumption	0~6553kWh	-	●
Display the total power consumption of inverter to date until now				
F6.10	Part number	Inverter product number	-	●
F6.11	Software version number	Control panel software version number	-	●
F6.12	Reserve			
F6.13	Communication read-write data selection	One digit: CRC error response selection 0: CRC error response selection; 1: CRC error response selection Ten digit: broadcast message screening option 0: no shielding; 1: shielding. Hundreds digit: frequency converter fault information read selection		

		0: read; 1: not read.			
F6.14~ F6.15	Reserve				
F6.16	Monitor selection 2	1Kbit/100bit	10bit/1bit	d0.04	☆
		parameter number	parameter series number		
The assigned group d0 parameter can be shown in the bottom row of the double display.					
F6.17	Power correction coefficient	0.00~10.00		1.00	☆
Frequency converter with motor running, the display output power (d0.05) is different with the actual output power, through the parameters, adjust the converter display power and the actual output power corresponding relation.					
F6.18	Multifunction key definition 1	UP key is defined as add function key	0	0	☆
		UP key is defined free stop	1		
		UP key is defined Forward running	2		
		UP key is defined Reverse running	3		
		UP key is defined Forward Jog running	4		
		UP key is defined Reverse Jog running	5		
		UP key is defined DOWN function key	7		
F6.19	Multifunction key definition 2	DOWN key is defined as subtract function key	0	0	☆
		DOWN key is defined free stop	1		
		DOWN key is defined Forward running	2		
		DOWN key is defined Reverse running	3		
		DOWN key is defined Forward Jog running	4		
		DOWN key is defined Reverse Jog running	5		
		DOWN key is defined UP function key	6		
		DOWN key is defined DOWN function key	7		
<p>Define the function keys of the user-defined keys</p> <p>0: The multifunction key define 1 as the add function key.</p> <p>Under the monitor menu, the add function key proceed the add modify of the keyboard setting frequency through F0.01.</p> <p>Under the parameter selection menu, The add function keys adjust the parameter selection</p> <p>Under the parameter modify menu, the add function keys adjust the parameter value.</p> <p>The multifunction key define 2 as the subtract function key.</p> <p>Under the monitor menu , the subtract function keys proceed the subtract modify of the keyboard setting frequency through F0.01 .</p> <p>Under the parameter selection menu, The subtract function keysadjust the parameter selection</p> <p>Under the parameter modify menu, the subtract function keys adjust the parameter value.</p> <p>1:Multifunction key is defined free stop key.</p> <p>The key is effective under Parameter selection monitor menu, the inverter is free stop. After free stop , no startup command , after 1S, it is allowed restart .</p> <p>2:Multifunction key is defined as FWD Forward funning key.</p> <p>Under monitor menu, the key is effective under Parameter selection menu, the inverter is forward running.</p> <p>3:Multifunction key is defined as FEV reverse running function key.</p> <p>The key is effective under Parameter selection monitor menu, the inverter is forward running.</p> <p>4: Multifunction key is defined as Forward Jog running key.</p> <p>The key is effective under Parameter selection monitor menu, the inverter is forward jog running.</p> <p>5: Multifunction key is defined as Reverse Jog running key.</p> <p>The key is effective under Parameter selection monitor menu, the inverter is reverse jog running.</p> <p>6: Multifunction key is defined as UP function key.</p> <p>The key is effective at any time, the control way is same as terminal control UP.</p> <p>7: Multifunction key is defined as DOWN function key.</p>					



The key is effective at any time , the control way is same as terminal control UP.					
F6.20	Keyboard lock selection	RUN/STOP key is enabled	0	0	☆
		RUN/STOP key and encoder is enabled	1		
		RUN/STOP/UP/DOWN key is enabled	2		
		STOP key is enabled	3		
When the keyboard is locked, press the keyboard is locked key, the digital display tube will display "A." in the front, such as the keyboard shows 50, when the lock, press the keyboard "PGR" key, digital tube display "A.50.00".					
F6.21	QUICK Function Selection	No function	0	1	☆
		jog running	1		
		shift key	2		
		forward/Reverse running switching	3		
		UP/DOWN setting remove	4		
		Free stop	5		
commands switch orderly	6				
<p>1:Jog running: press QUICK key , the inverter will make jog running in the default direction.</p> <p>2:Shift key : Choose displayed parameter circularly under running or stop interface</p> <p>3:Forward/Reverse running switching: it can complete the request of forward/Reverse running, it is effective under the keyboard command.</p> <p>4:UP/DOWN setting remove: to remove the settings of the UP/DOWN.</p> <p>5:Free stop; operate the quick key to stop the inveter.</p> <p>6:Switch and display the commands orderly by pressing QUICK key, Keyboard setting--terminal setting-communications setting will switch orderly.</p>					

### 5-2-9.Auxiliary function: F7.00-F7.54

Code	Parameter name	Setting range	Factory setting	Change Limit	
F7.00	Jog running frequency	0.00Hz~F0.19(maximum frequency)	2.00Hz	☆	
F7.01	Jog acceleration time	0.0s~6500.0s	20.0s	☆	
F7.02	Jog deceleration time	0.0s~6500.0s	20.0s	☆	
Defined the inverter's reference frequency and ac/deceleration time when jogging. In operation of Jog, the startup mode is fixed as direct startup mode (F3.00 = 0), the shutdown mode is fixed as deceleration parking mode (F3.07 = 0).					
F7.03	Jog priority	Invalid	0	1	☆
		Valid	1		
This parameter is used to set whether the priority of jog function is active or not. When it is set to active, if the jog command is received by inverter in operation, the inverter will change to jog running status.					
F7.04	Jump frequency 1	0.00Hz~F0.19 (maximum frequency)	0.00Hz	☆	
F7.05	Jump frequency 2	0.00Hz~F0.19 (maximum frequency)	0.00Hz	☆	
F7.06	Jump frequency range	0.00Hz~F0.19 (maximum frequency)	0.00Hz	☆	
When the set frequency is in the jump frequency range, the Actual operating frequency will run at the jump frequency close from the set frequency . The inverter can avoid mechanical resonance point of load by setting jump frequency.					
ST500 can set two jump frequency points, if the two jump frequencies are set to 0, the jump frequency function will be canceled. For the principle schematic of jump frequency and its range, please refer to the following figure.					

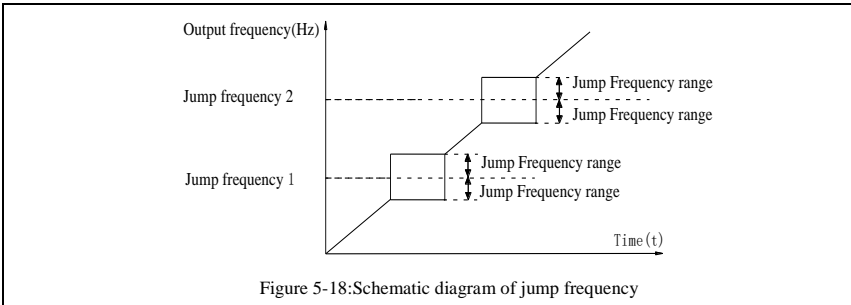


Figure 5-18:Schematic diagram of jump frequency

F7.07	Jump frequency availability during ac/deceleration process	Invalid	0	0	☆
		Valid	1		

The function code is used to set whether the jump frequency is active or not in the process of acceleration and deceleration.

If it is set to active, when the operating frequency is in the jump frequency range, the Actual operating frequency will skip the set jump frequency boundary. The below figure below shows the jump frequency status in the process of acceleration and deceleration.

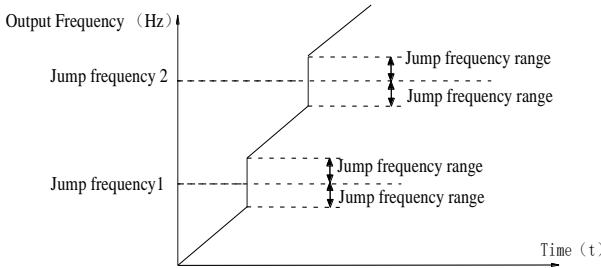


Figure 5-19:Schematic diagram of jump frequency availability in the process of acceleration and deceleration.

F7.08	Acceleration time 2	0.0s to 6500.0s	-	☆
F7.09	Deceleration time 2	0.0s to 6500.0s	-	☆
F7.10	Acceleration time 3	0.0s to 6500.0s	-	☆
F7.11	Deceleration time 3	0.0s to 6500.0s	-	☆
F7.12	Acceleration time 4	0.0s to 6500.0s	-	☆
F7.13	Deceleration time 4	0.0s to 6500.0s	-	☆

ST500 provides 4 groups of deceleration time, respectively F0.13/F0.14 and the above 3 groups of deceleration time. The default depends on the model

The 4 groups of deceleration time are defined exactly the same, please refer to the instructions of F0.13 and F0.14. The 4 groups of deceleration time can be switched through different combinations of the multi-function digital input terminal DI, please refer to the instructions of function code F1.00 to F1.07 in the attachment 2 for the detailed application methods .

F7.14	Switching frequency point between acceleration time 1 and acceleration time 2	0.00Hz~F0.19(maximum frequency)	0.00Hz	☆
F7.15	Switching frequency point between deceleration time 1 and deceleration time 2	0.00Hz~F0.19(maximum frequency)	0.00Hz	☆

The function is active when motor 1 is selected and DI terminal is not selected to switch between ac/deceleration. It is used to automatically select ac/deceleration time by not DI terminal but the operating frequency range when the inverter is running.

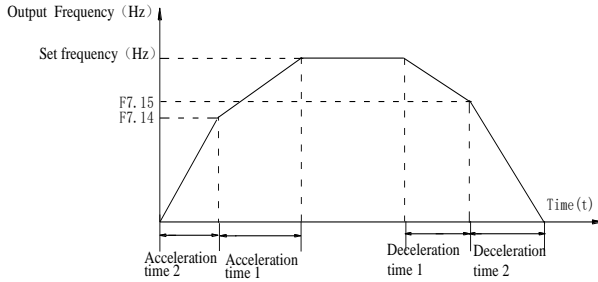


Figure 5-20: Schematic diagram of switching between acceleration and deceleration

If the operating frequency is less than F7.14, select acceleration time 2; otherwise select acceleration time 1.

For the above figure in the process of deceleration, if the operating frequency is more than F7.15, select deceleration time 1; otherwise select deceleration time 2.

F7.16	Forward/reverse rotation deadband	0.00s~3600.0s	0.0s	☆
-------	-----------------------------------	---------------	------	---

It is the waiting time that the inverter reaches zero speed when the parameter is used to switch between forward and reverse rotation.

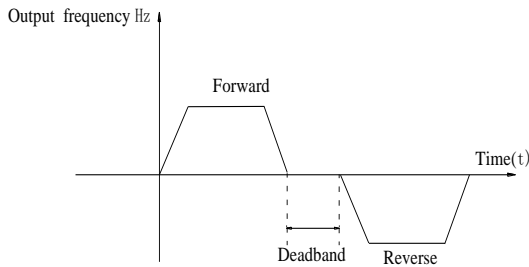


Figure 5-21: Schematic diagram of the deadband of forward and reverse

F7.17	Reverse rotation control	Allow	0	0	☆
		Prohibit	1		

For certain production equipments, the reverse rotation may result in damage to the equipment, the function can disable the reverse rotation. The factory default allows reverse rotation.

F7.18	Set frequency lower than lower limit frequency mode	Running at lower limit frequency	0	0	☆
		Stop	1		
		Zero speed running	2		

When the set frequency is lower than the lower limit frequency, the inverter operating status can be selected through the parameter. ST500 provides three modes of operation to meet the needs of a variety of applications.

F7.19	Droop control	0.00Hz~10.00Hz	0.00Hz	☆
-------	---------------	----------------	--------	---

This function is generally used for the load distribution that multiple motors drag the same one load.

The droop control means that the inverter output frequency is decreased as the load is increased, so that when multiple motors drag (work for) the same one load, each motor's output frequency much drops, which can reduce the load of the motor to balance evenly multiple motors' load.

This parameter means the decreased value of output frequency when the inverter outputs the rated load.

F7.20	Setting cumulative power-on arrival time	0h~3600h	0h	☆
-------	--	----------	----	---

When the total power-on time(F6.08) reaches the time set by F7.20, the inverter multifunction digital DO outputs ON signal.

F7.21	Setting cumulative running arrival time	0h~36000h	0h	☆
-------	---	-----------	----	---

Used to set the running time of inverter.

When the total power-on time(F6.07) reaches the set timeF7.21, the inverter multifunction digital DO outputs ON signal.

F7.22	Start protection	OFF	0	0	☆
		ON	1		

This parameter relates to the security features of the inverter

If this parameter is set to 1 , and if the running command is active (e.g. the terminal running command is closed before power-on) when the inverter is in power-on, the inverter will not respond to the running command, you must firstly cancel the running command, when the running command is active again, the inverter will respond.

In addition, if the parameter is set to 1, and if the running command is active when the inverter resets fault, the inverter will not respond to the running command, you must firstly cancel the running command in order to eliminate running protection status.

The parameter is set 1, you can prevent the danger caused by that the inverter unknowingly responds to the running command in the event of power-on and fault reset.

F7.23	Frequency detection value (FDT1)	0.00Hz~F0.19(maximum frequency)	50.00Hz	☆
-------	----------------------------------	---------------------------------	---------	---

F7.24	Frequency detection hysteresis value (FDT1)	0.0%~100.0%(FDT1 level)	5.0%	☆
-------	---	-------------------------	------	---

The inverter's multifunction output DO will output ON signal when the operating frequency is higher than the detected value, conversely DO output ON signal is canceled.

The above parameters is used to set the detected value of output frequency, and the hysteresis value after the output is canceled. Of which, F7.24 is the percentage of the hysteresis frequency in the detected value(F7.23). The below figure is the schematic diagram of FDT.

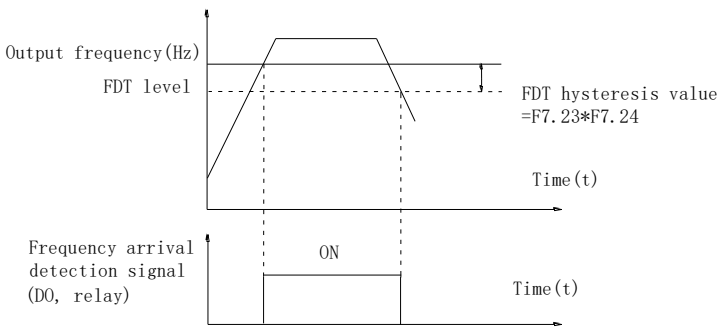


Figure 5-22:Schematic diagram of FDT level

F7.25	Frequency reaches detection width	0.00~100%( maximum frequency)	0.0%	☆
-------	-----------------------------------	-------------------------------	------	---

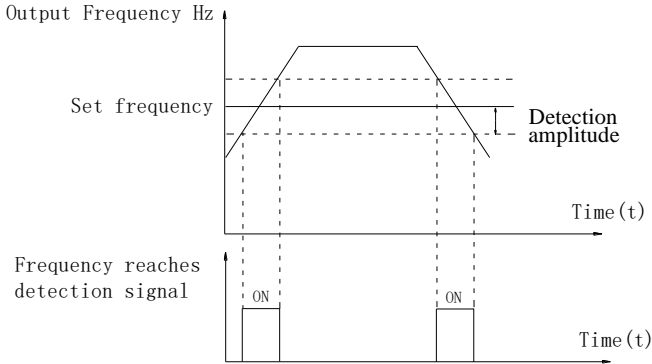


Figure 5-23: Schematic diagram of frequency arrival detection amplitude

The inverter's multifunction output DO will output ON signal when the inverter's operating frequency is in a certain range of target frequency.

This parameter is used to set the frequency arrival detection range, the parameter is the percentage of maximum frequency. The above figure is the schematic diagram of frequency arrival.

F7.26	Frequency detection value (FDT2)	0.00Hz~F0.19(maximum frequency)	50.00Hz	☆
F7.27	Frequency detection hysteresis value (FDT2)	0.0%~100.0%(FDT2 level)	5.0%	☆
The frequency detection function is same as FDT1 exactly, please refer to the instructions of FDT1 or function codes F7.23, F7.24.				
F7.28	Random arrivals frequency detection value 1	0.00Hz to F0.19 (maximum frequency)	50.00Hz	☆
F7.29	Random arrivals frequency detection width 1	0.00% to 100.0% (maximum frequency)	0.0%	☆
F7.30	Random arrivals frequency detection value 2	0.00Hz to F0.19 (maximum frequency)	50.00Hz	☆
F7.31	Random arrivals frequency detection width 2	0.00% to 100.0% (maximum frequency)	0.0%	☆

When the inverter's output frequency randomly reaches the range of the detected value(positive or negative), the multi-function DO will output ON signal.

ST500 provides two groups of parameter to set frequency value and frequency detection range. The above figure is the schematic diagram of the function.

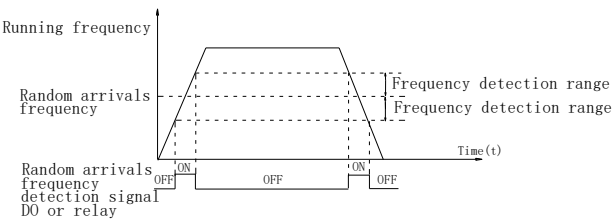


Figure 5-24: Schematic diagram of random arrivals frequency detection

F7.32	Zero current detection level	0.0%~300.0%( rated motor current)	5.0%	☆
F7.33	Zero current detection delay time	0.01s~360.00s	0.10s	☆

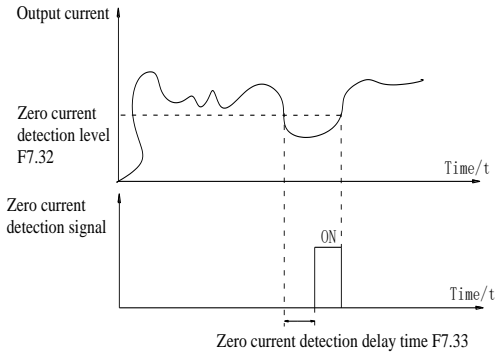


Figure 5-25: Schematic diagram of zero current detection

When the inverter's output current is less than or equal to zero current detection level and lasts for longer than the delay time of zero-current detection, the inverter's multifunction DO will output ON signal. The figure is the schematic diagram of zero current detection.

F7.34	Overrun value of output current	0.0% (not detected) 0.1%~300.0% (rated motor current)	200.0%	☆
F7.35	Output Current overrun detection delay time	0.01s~360.00s	0.00s	☆

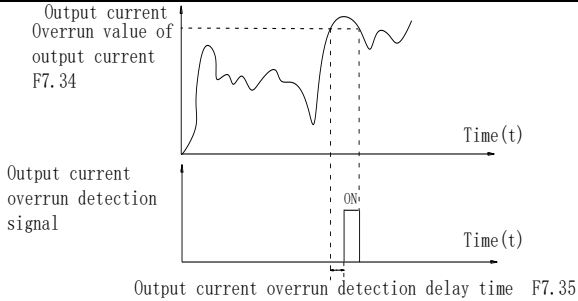


Figure 5-26: Schematic diagram of output current overrun detection signal

When the inverter's output current is more than or overrun the detection point and lasts for longer than the delay time of software overcurrent point detection, the inverter's multifunction DO will output ON signal.

F7.36	Random arrivals current 1	0.0%~300.0% (rated motor current)	-100.0%	☆
F7.37	Random arrivals current 1 width	0.0%~300.0% (rated motor current)	0.0%	☆
F7.38	Random arrivals current 2	0.0%~300.0% (rated motor current)	-100.0%	☆
F7.39	Random arrivals current 2 width	0.0%~300.0% (rated motor current)	0.0%	☆

When the inverter's output current randomly reaches the range of the current detection width (positive or negative), the inverter multifunction DO will output ON signal.

ST500 provides two group of sets of parameter for Randomly Reaches Current and Detection Width, the figure is the functional diagram.

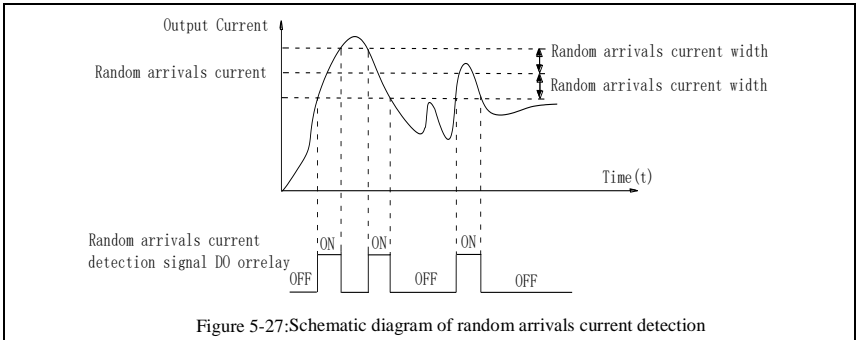


Figure 5-27: Schematic diagram of random arrivals current detection

F7.40	Module temperature arrival	0°C~100°C	75°C	☆
When the inverter radiator temperature reaches the temperature, the inverter multifunction DO will output "Module Temperature Arrival" ON signal.				
F7.41	Cooling fan control	Fan running only when running Fan always running	0 1	0 ☆
Used to select the cooling fan mode, if you select 0, the fan will run when the inverter is running, but in the stop state of inverter, if the radiator temperature is above 40 degrees, the fan will run, otherwise the fan will not run. If you select 1, when the fan will always running after power-on.				
F7.42	Timing function selection	Invalid Valid	0 1	0 ★
F7.43	Timing run time selection	F7.44 setting AI1 AI2 Panel potentiometer Analog input range 100% corresponds to F7.44	0 1 2 3	0 ★
F7.44	Timing run time	0.0Min~6500.0Min	0.0Min	★
The group of parameters are used to complete the inverter timing run function. If F7.42 timing function is active, the inverter starts as the timer starts, when the set timing run time is reached, the inverter automatically shut down, at the same time the multi-function DO will output ON signal. Every time the inverter starts, the timer will time from 0, the remaining time can be viewed by d0.20. The timing run time is set by F7.43, F7.44 in minute.				
F7.45	Current running arrival time.	0.0Min~6500.0Min	0.0Min	★
When current running time reaches this time, the inverter multi-function digital DO will output "Current Running Time Arrival" ON signal.				
F7.46	Awakens frequency	dormancy frequency (F7.48)~ to maximum frequency (F0.19)	0.00Hz	☆
F7.47	Awakens delay time	0.0s~6500.0s	0.0s	☆
F7.48	Dormancy frequency	0.00Hz~ awakens frequency (F7.46)	0.00Hz	☆
F7.49	Dormancy delay time	0.0s~6500.0s	0.0s	☆
F7.50	All input voltage protection lower limit	0.00V~F7.51	3.10V	☆
F7.51	All input voltage protection upper limit	F7.50~10.00V	6.80V	☆
When analog AI1 input is greater than F7.51, or when AI1 input is less than F7.50, the inverter multi-functional DO will output "AI1 input overrun" signal, so as to indicate whether the AI1 input voltage is within the set range or not.				
F7.52	Reserve			

F7.53		Bits	Jog direction		
		Forward		0	
		Reverse		1	
		Determine the direction from the main terminal		2	
		Ten bits	End running state after Jogging		
F7.54	Jog mode setting	Restore to the state before jogging stop running		0	002 ☆
		stop running		1	
		Hundred bits	Acceleration/deceleration time after stop jogging until End state reached		
		Recover to the acceleration/deceleration time before jogging		0	
		Keep using the acceleration/deceleration time from jogging (F7.01/02)		1	

5-2-10.Fault and protection:F8.00-F8.35

Code	Parameter name	Setting range	Factory setting	Change limits
F8.00	Overcurrent stall gain	0~100	20	☆
F8.01	Overcurrent stall protection current	100%~200%	-	☆

G machine factory default parameters of 150%, F machine factory default parameters of 130%.

When the inverter output current reaches the set current stall protection current (F8.01), the inverter reduces the output frequency in the acceleration or constant speed operation, while the slow down speed, until the current is less than the current (F8.01).

Overcurrent stall gain is used for adjusting inhibition overcurrent capability during ac/deceleration. The greater this value, the stronger inhibition overcurrent capability Under the premise that the overcurrent does not occur, the best is the smaller gain setting.

For the small inertia load, the overcurrent stall gain should be small, otherwise which cause the slower system dynamic response. For the big inertia load, the overcurrent stall gain should be large, otherwise the poor inhibitory effect may cause overcurrent fault.

When the overcurrent stall gain is set to 0, the overcurrent stall function will be canceled.

F8.02	Motor overload protection	Prohibit	0	1	☆
		Allow	1		

F8.02 = 0: no motor overload protection function, there may be the risk of damage to the motor due to overheating, it is recommended that the thermal relay is installed between the inverter and the motor;

F8.02 = 1: the inverter will determine whether the motor is overloaded or not according to the inverse time curve of motor overload protection. Inverse time curve of motor overload protection:  $220\% \times (F8.03) \times \text{rated motor current}$ , if this lasts for 1 second, the alarm of motor will be prompted overload fault;  $150\% \times (F8.03) \times \text{rated motor current}$ , if this lasts for 60 seconds, the alarm of motor overload will be prompted.

User shall correctly set the value of F8.03 according to the Actual motor overload capacity, if the value is set to too large, which may easily lead to motor overheating and damage while the inverter will not alarm!

F8.04	Motor overload pre-alarm coefficient	50%~100%	80%	☆
-------	--------------------------------------	----------	-----	---

This function is used in the front of motor overload fault protection, and sends a pre-alarm signal to the control system by DO. The warning coefficient is used to determine the extent of pre-alarm prior to motor overload protection. The higher the value, the smaller the extent of pre-alarm



in advance.

When the cumulative amount of inverter output current is greater than the product of the inverse time curve of overload and F8.04, the inverter multi-function digital DO will output "Motor Overload Pre-Alarm" ON signal.

F8.05	Overvoltage stall gain	0(no overvoltage stall) ~100	0	☆
F8.06	Overvoltage stall protection voltage / energy consumption brake voltage	120%~150%(three-phase)	130%	☆

In the process of the inverter deceleration, when the DC bus voltage exceeds the overvoltage stall protection voltage/the energy consumption brake voltage, the inverter stops deceleration and maintains at the current operating frequency(if F3.12 is not set to 0, the braking signal is outputted the energy consumption brake can be implemented by an external braking resistor.) and then continues to decelerate upon decline of the bus voltage

Overvoltage stall gain is used for adjusting inhibition overvoltage capability during deceleration. The greater this value, the stronger inhibition overvoltage capability under the premise that the overvoltage does not occur, the best is the smaller gain setting.

For the small inertia load, the overvoltage stall gain should be small, otherwise which cause the slower system dynamic response. For the big inertia load, the overvoltage stall gain should be large, otherwise the poor inhibitory effect may cause overvoltage fault.

When the overvoltage stall gain is set to 0, the overvoltage stall function will be canceled.

F8.07	Input phase loss protection	Units digit	Input phase loss protection selection		11	☆
		Prohibit	0			
		Allow	1			
		Tens digit	Contactor actuation protection			
		Prohibit	0			
		Allow	1			

The input phase loss protection function is only for ST500 G type inverter with 18.5kW or above, not for the F type inverter with 18.5kW or below and however F8.07 is set to 0 or 1.

F8.08	Output phase loss protection selection	Prohibit	0	1	☆
		Allow	1		

Select whether the output phase loss protection is done or not.

F8.09	Power-on short circuit to ground	Invalid	0	1	☆
		Valid	1		

You can detect whether the motor is shorted to ground when the inverter is powered on.

If this function is active, the inverter's UVW terminal will output voltage after power-on for a while.

F8.10	Number of automatic fault reset	0~32767	0	☆
-------	---------------------------------	---------	---	---

When the inverter selects automatic fault reset, it is used to set the number of times of automatic fault reset. If the set number of times is exceeded, the inverter remains a failed state.

When set F8.10 (number of automatic fault reset)  $\geq 1$ , inverter will run automatically when repower after instantaneous power-off.

When fault self-recovery restart uptime over an hour later, it will restore the original setting of automatic fault reset.

F8.11	Fault DO action selection during automatic fault reset	OFF	0	0	☆
		ON	1		

If the inverter automatic fault reset function is set, F8.10 can be used to set whether DO action is active or not during the automatic fault reset

F8.12	Automatic fault reset interval	0.1s~100.0s	1.0s	☆
-------	--------------------------------	-------------	------	---

It is the waiting time from the inverter fault alarm to automatic fault reset.

F8.13	Overspeed detection value	0.0%~50.0%(maximum frequency)	20.0%	☆
-------	---------------------------	-------------------------------	-------	---

F8.14	Overspeed detection time	0.0s~60.0s	1.0s	☆
-------	--------------------------	------------	------	---

This feature is only available when the inverter runs with speed sensor vector control.

When the inverter detects that the actual motor speed exceeds the set frequency, and the excess is

greater than the overspeed detection value(F8.13), and the duration is greater than the overspeed detection time(F8.14) the inverter will alarm fault ID Err.43, and troubleshoots according to the protection action.					
F8.15	Detection value for too large speed deviation	0.0%~50.0%(maximum frequency)		20.0% ☆	
F8.16	Detection time for too large speed deviation	0.0s~60.0s		5.0s ☆	
<p>This feature is only available when the inverter runs with speed sensor vector control.</p> <p>When the inverter detects that the actual motor speed is different from the set frequency, and the deviation is greater than the detection value for too large speed deviation(F8.15), and the duration is greater than the detection time for too large speed deviation(F8.16), the inverter will alarm fault ID Err.42, and troubleshoots according to the protection action.</p> <p>If the detection time for too large speed deviation is 0.0s, the detection for too large speed deviation is canceled.</p>					
F8.17	Fault protection action selection 1	Units digit	Motor overload (Fault ID Err.11)		00000 ☆
		Free stop		0	
		Stop at the selected mode		1	
		Continue to run		2	
		Tens digit	input phase loss (Err.12) (same as units digit)		
		Hundred digit	output phase loss (Err.13) (same as units digit)		
		Thousand digit	external fault (Err.15) (same as units digit)		
Ten thousands digit	Communication abnormal( Err.16)(same as units digit)				
F8.18	Fault protection action selection 2	Units digit	Encoder fault(Err.20)		00000 ☆
		Free stop		0	
		Switch to V/F and then stop at the selected mode		1	
		Switch to V/F and continue to run		2	
		Tens digit	function code read and write abnormal (Err.21)		
		Free stop		0	
		Stop at the selected mode		1	
		Hundreds digit	Reserved		
Thousands digit	Motor overheating (Err.45) ( same as F8.17 units digit)				
Ten thousands digit	Running time arrival(Err.26)( same as F8.17 units digit)				
F8.19	Fault protection action selection 3	Units digit	User-defined fault 1(Err.27) ( same as F8.17 units digit)		00000 ☆
		Tens digit	User-defined fault 2(Err.28) ( same as F8.17 units digit)		
		Hundreds digit	Power-on time arrival (Err.29) ( same as F8.17 units digit)		
		Thousands digit	Reserved		
		Ten thousands digit	PID feedback loss when running (Err.31) (same as F8.17 units digit)		
F8.20	Fault protection action selection 4	Units digit	Too large speed deviation (Err.42) ( same as F8.17 units digit)		00000 ☆
		Tens digit	Motor overspeed (Err.43) ( same as F8.17 units digit)		
		Hundreds digit	Initial position error (Err.51) ( same as F8.17 units digit)		

		Thousands digit	Reserved			
		Ten thousands digit	Reserved			
<p>When "free stop" is selected, the inverter displays Err. *, and directly stops. When "Stop at the selected mode" is selected, the inverter displays Arr. *, firstly stops at the selected mode and then displays Err. * When "continue to run" is selected, the inverter continues to run and displays Arr. *, the operating frequency is set by F8.24.</p>						
F8.21~F8.23	Reserved					
F8.24	Fault running frequency	current frequency running	0	0	☆	
		setting frequency running	1			
		upper frequency running	2			
		down frequency running	3			
		Abnormal reserve frequency running	4			
F8.25	Abnormal reserve frequency	60.0%~100.0%	100%	☆		
<p>When the inverter occurs faults during operation, and the troubleshooting mode for the fault is set to "continue to run", the inverter displays Arr. *, and runs at the operating frequency set by F8.24.</p> <p>When "abnormal spare frequency" is selected, the value set by F8.25 is the percentage of the maximum frequency.</p>						
F8.26	Momentary power cut action selection	Invalid	0	0	☆	
		Deceleration	1			
		Deceleration and stop	2			
F8.27	Reserved					
F8.28	Recovery voltage judgment time of momentary power cut	0.00s~100.00s	0.50s	☆		
F8.29	Judgment voltage of momentary power cut	50.0%~100.0%(standard bus voltage)	80.0%	☆		

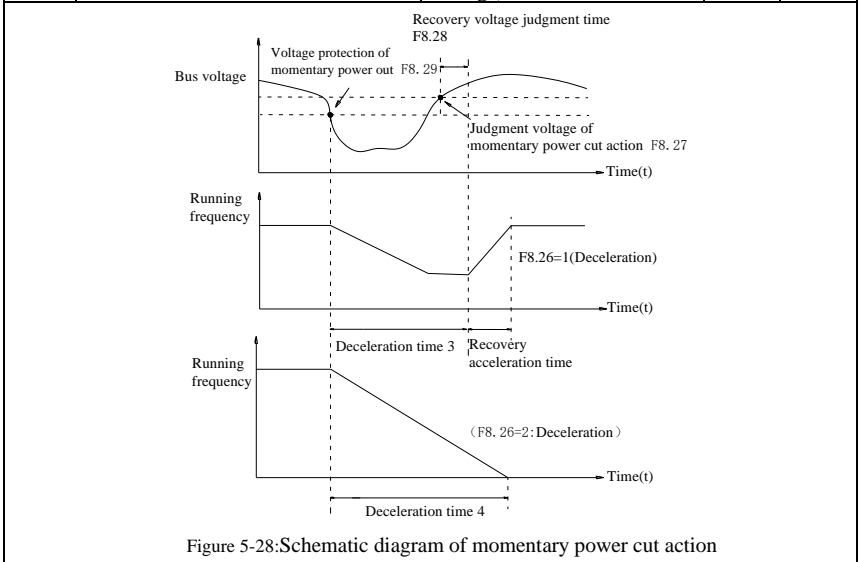


Figure 5-28:Schematic diagram of momentary power cut action

This feature means that when the momentary power cut happens or the voltage suddenly reduces, the drive will reduce the output speed to compensate the reduced value of the inverter DC bus voltage by using load feedback energy, in order to maintain the inverter to continue running.

If F8.26 = 1, when the momentary power cut happens or the voltage suddenly reduces, the inverter will decelerate, when the bus voltage is back to normal, the inverter will normally accelerate to the set frequency to run. To determine whether the bus voltage returns to normal or not, check whether the bus voltage is normal and lasts for longer than the set time by F8.28.

If F8.26 = 2, when the momentary power cut happens or the voltage suddenly reduces, the inverter will decelerate till to stop.

F8.30~ F8.32	Reserved				
F8.33	motor temperature sensor type	0: Invalid; 1: PT100 detect	0	☆	
Motor temperature sensor signal, need to connect to the panel S1, S2, GND terminal.					
F8.34	motor overheat protection value	0~200	110	☆	
F8.35	Motor overheating forecasting warning threshold	0~200	90	☆	

When the motor temperature is more than motor overheating protection valve value F8.34, frequency converter goes in fault alarm, and proceeds according to the selected fault protection action in F8.18.

When the motor temperature exceeds motor overheating forecasting warning threshold in F8.35, inverter multifunction DO function 39 early warning turns ON to signal motor overheating pre-warning. The motor temperature is displayed in d0.41 if the sensor is a PT100 and not a PTC with jump characteristic.

**5-2-11.Communication parameter: F9.00-F9.07**

Code	Parameter name	Setting range		Factory setting	Change limits
F9.00	Baud rate	Units digit	MODBUS	6005	☆
		300BPS	0		
		600BPS	1		
		1200BPS	2		
		2400BPS	3		
		4800BPS	4		
		9600BPS	5		
		19200BPS	6		
		38400BPS	7		
		57600BPS	8		
		115200BPS	9		
		Tens digit	Profibus-DP		
		115200BPS	0		
		208300BPS	1		
		256000BPS	2		
		512000BPS	3		
		Hundreds digit	Reserved		
		Thousands digit	CAN bus baudrate		
		20	0		
		50	1		
		100	2		
125	3				
250	4				
500	5				
1M	6				
F9.01	Data format	No parity (8-N-2)	0	0	☆

		Even parity (8-E-1)	1			
		Odd parity (8-O-1)	2			
		No parity (8-N-1)	3			
F9.02	This unit address	1~250, 0 for broadcast address		1	☆	
F9.03	Response delay	0ms-20ms		2ms	☆	
F9.04	Communication timeout time	0.0 (invalid), 0.1s-60.0s		0.0	☆	
F9.05	Data transfer format selection	Units digit	MODBUS		31	☆
		Non-standard MODBUS protocol		0		
		Standard MODBUS protocol		1		
		Tens digit	Profibus			
		PPO1 format		0		
		PPO2 format		1		
		PPO3 format		2		
PPO5 format		3				
F9.06	Communication read current resolution	0.01A		0	☆	
		0.1A				
F9.07	Communication card type	Modbus communication card		0	☆	
		Profibus communication card				
		Reserved				
		CAN bus communication card				

### 5-2-12. Torque control parameters FA.00-FA.07

Code	Parameter name	Setting range	Factory setting	Change limits	
FA.00	S/T control mode selection	speed control (S)	0	0	★
		torque control (T)	1		
<p>Used to select the inverter control mode: speed control or torque control.</p> <p>ST500 multifunction digital terminal has two related functions on torque control: torque control banned (function 29), and speed control / torque control switching (function 46). The two terminals must use in conjunction with FA.00 so as to switch between speed control and torque control.</p> <p>When the speed control / torque control switching terminal is invalid, the control mode is determined by FA.00, if the terminal is valid, the control manner is equivalent to the FA.00's value negated.</p> <p>In any case, when the torque control ban terminal is valid, the inverter is fixed at speed control mode.</p>					
FA.01	Torque setting source	keyboard setting (FA.02)	0	0	★
		Analog AI1 setting	1		
		Analog AI2 setting	2		
		Panel potentiometer setting	3		
		High-speed pulse setting	4		
		Communications reference	5		
		MIN(AI1, AI2)	6		
		MAX(AI1, AI2)	7		
AI3	8				
FA.02	Torque figures set	-200.0%~200.0%	150%	☆	
<p>FA.01 is used to select the torque setting source, there are 9 torque setting modes in all.</p> <p>The torque setting adopts the relative value, the 100.0% corresponds to the rated torque of inverter. Setting range is from -200.0% to 200.0%, indicating that the maximum torque of inverter is 2 times of the rated torque of inverter.</p>					

When the torque setting to a positive, frequency converter operate forwardly, when the torque setting to a negative, inverter operate reversely.

When the torque setting adopts mode 1 to 8, the 100% of communications, analog input and pulse input corresponds to FA.02.

FA.03	Torque control acceleration time	0.00s~650.00s	0.00s	☆
FA.04	Torque control deceleration time	0.00s~650.00s	0.00s	☆

Under the torque control mode, the difference between the motor output torque and load torque determines the change rate in speed of the motor and load, therefore, the motor speed may rapidly change, resulting in the problems such as noise or excessive mechanical stress. By setting the torque control ac/deceleration time, you can make a smooth change of motor speed.

But the occasions that needs the rapid response of torque, the torque control ac/deceleration time must be set to 0.00s. For example: when two hardwired motors drag the same one load, in order to ensure that the load is evenly distributed, you must set one inverter as the master unit that works under the speed control mode, the other inverter as the auxiliary unit that works under the torque control mode, the Actual output torque of the master unit is used as the torque command of the auxiliary, the torque of the auxiliary needs quickly follow the master unit, so the torque control ac/deceleration time of the auxiliary unit shall be set to 0.00s.

FA.05	Torque control forward maximum frequency	0.00Hz~maximum frequency (F0.19)	50.00 Hz	☆
FA.06	Torque control backward maximum frequency	0.00Hz~ maximum frequency (F0.19)	50.00 Hz	☆

Used to set the maximum operating frequency of inverter forward or reverse running under the torque control mode

Under the torque control mode, if the load torque is less than the motor output torque, the motor speed will continue to rise, in order to prevent "Runaway" and other accidents of mechanical systems, it is necessary to limit the maximum speed of motor under the torque control mode.

FA.07	Torque filter time	0.00s~10.00s	0.00s	☆
-------	--------------------	--------------	-------	---

### 5-2-13.Control optimization parameters: Fb.00-Fb.09

Code	Parameter name	Setting range	Factory setting	Change limits
Fb.00	Fast current limiting manner	Disable	0	☆
		enable	1	
Enable Quick Current Limiting function, which can minimize the overcurrent fault of inverter , and ensure the uninterrupted operation of inverter. If the drive is in the state of fast current limiting for a long period of time , the inverter may be damaged by overheating and others, this case is not allowed, so the inverter will alarm fault with fault ID Err.40, it indicates that the inverter exists overload and needs to be shut down.				
Fb.01	Undervoltage point setting	50.0%~140.0%	100.0%	☆
Used to set the voltage value of inverter undervoltage fault with fault ID Err.09 , the different voltage levels of inverter 100.0% corresponds to the different voltage points are as follows: Single-phase 220V or three-phase 220V: 200V                      Three-phase 380V: 350V Three-phase 480V: 450V    Three-phase 690V: 650V				
Fb.02	Overvoltage point setting	200.0V~2500.0V	-	☆
The setting over voltage point of the software has no influence on the setting over voltage point of the hardware. The value of the voltage set to the frequency inverter, different voltage level model's factory defaults are as following:				
		Voltage level	over voltage point factory default	
		Single phase 220V	400.0V	
		Three phase 220V	400.0V	
		Three phase 380V	810.0V	

	Three phase 480V	890.0V		
	Three phase 690V	1300.0V		
Remark: The factory defaults are the upper limit value of over voltage protection in frequency inverter. Only when Fb.02 setting value is smaller than the model's voltage factory default, the new parameter setting takes effect. If it is higher than factory default, the factory default will be the effective value.				
Fb.03	Deadband compensation mode selection	no compensation	0	1 ☆
		compensation mode 1	1	
		compensation mode 2	2	
Generally do not need to modify this parameter, only when the special requirements to the output voltage waveform quality is required or when the motor oscillation and other abnormal happen, you need to try to switch to select a different mode of compensation. The compensation mode 2 for high-power is recommended.				
Fb.04	Current detection compensation	0~100	5	☆
Used to set the inverter's current sensing compensation, if the set value is too large, which may reduce the control performance. Generally do not need to be modified.				
Fb.05	Vector optimization without PG mode selection	no optimization	0	1 ☆
		optimization mode 1	1	
		optimization mode 2	2	
Fb.06	Upper limiting frequency for DPWM switching	0.00Hz~15.00Hz	12.00Hz	☆
Fb.07	PWM modulation manner	asynchronous	0	0 ☆
		synchronous	1	
Only valid for V/F control. Synchronous modulation refers to that the carrier frequency linearly change with the change of output frequency, in order to ensure the unchanged of their ratio(carrier to noise ratio), generally it is used when the output frequency is higher, is conducive to ensure the output voltage quality.				
Under the lower output frequency (100Hz) mode, generally the synchronize modulation is not required, because at the time the ratio of the carrier frequency to the output frequency is relatively high, the asynchronous modulation has more obvious advantages.				
When the operating frequency is higher than 85Hz, the synchronous modulation takes effect, the fixed mode is the asynchronous modulation below the frequency.				
Fb.08	Random PWM depth	PWM Invalid	0	0 ☆
		PWM carrier frequency random depth	1~10	
By setting Random PWM, the monotonous and shrill motor sound can become softer and which helps reduce external electromagnetic interference. When Random PWM Depth is set to 0, Random PWM will be invalid.				
It will get different results by adjusting different Random PWM Depths,				
Fb.09	Deadband time adjustment	100%~200%	150%	☆
About 1140V voltage setting, the voltage availability will be improved by adjust voltage setting. Too lower value setting can lead to system instability. So it is not recommended to revise it for users.				

### 5-2-14.Extended parameter: FC.00-FC.02

Code	Parameter name	Setting range	Factory setting	Change limits
FC.00	Undefined			
FC.01	Proportional linkage coefficient	0.00~10.00	0	☆
When proportional linkage coefficient is 0, proportional linkage function can not work.According to the setting by proportional linkage, communication address of master (F9.02) is				

set to 248, and communication address of slave is set to 1 to 247. Slave output frequency = Master setting frequency * Proportional linkage coefficient + UP/DOWN Changes.				
FC.02	PID start deviation	0.0~100.0	0	☆
If the absolute value of deviation between PID setting source and feedback source is greater than of the parameter, the inverter starts only when PID output frequency is greater than the wake-up frequency to prevent the repetition of the inverter starts. If the inverter is operating, when PID feedback source is greater than setting source and the output frequency is less than or equal to (F7.48) sleep frequency, the inverter goes to sleep after (F7.49) delay time and performs free stop.				
If the inverter is in the state of sleep and the current run command is valid, the absolute value of deviation between PID setting source and feedback source is greater than of PID start deviation (FC.02), when PID setting frequency is greater than or equal to F7.46 wake-up frequency, the inverter will start after (F7.47) delay time.				
If you want to use the function of PID start deviation, PID stop computing status must be set to active (E2.27 = 1).				

**5-2-15. Wobble, fixed-length and counting: E0.00-E0.11**

Wobble function is suitable for the textile, chemical, and other industries, as well as occasions that needs traverse and winding function. Wobble function means that the inverter output frequency swings up and down to set the frequency centering around the set frequency, the locus the operating frequency on the timeline is as shown in figure, which the swing amplitude is set by E0.00 and E0.01, when E0.01 is set to 0, the wobble will not work.

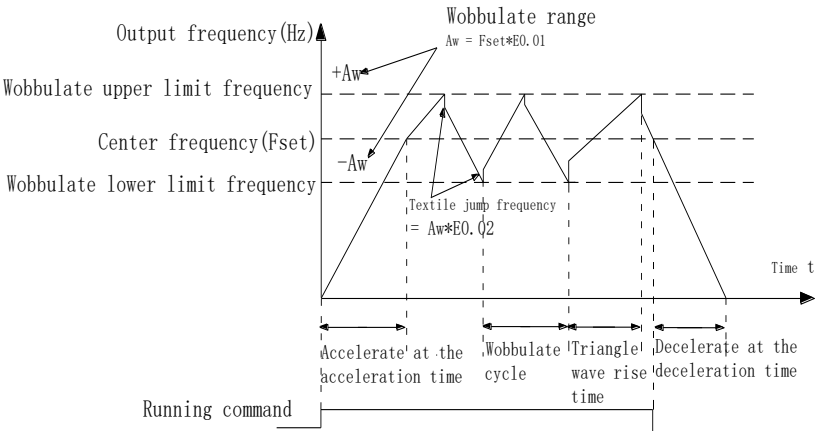


Figure 5-29: Schematic diagram of wobble operating

Code	Parameter name	Setting range	Factory setting	Change limits
E0.00	Swing setting manner	relative to center frequency	0	☆
		relative to maximum frequency	1	
This parameter is used to determine the baseline of the swing 0: relative to center frequency (F0.07 frequency source). For the variable swing system. The swing varies with the change of center frequency (the set frequency) 1: relative to maximum frequency (F0.19) For the fixed swing system, the swing is fixed.				
E0.01	Wobble range	0.0%~100.0%	0.0%	☆
E0.02	Sudden jump frequency range	0.0%~50.0%	0.0%	☆
The parameter is used to determine the value of swing and the value of sudden jump frequency.				



When the swing is set to Relative To Center frequency(E0.00=0), Swing (AW) = frequency source (F0.07) × swing amplitude(E0.01). When the swing is set to Relative To Maximum Frequency(E0.00=1), Swing (AW) = maximum frequency (F0.19) × swing amplitude(E0.01).

If the sudden jump frequency range is selected for wobble operation, the frequency percentage of sudden jump frequency range relative to swing, i.e.: Sudden jump frequency = Swing(AW)×Sudden jump frequency range(E0.02). When the swing is set to Relative To Center frequency(E0.00=0), the sudden jump frequency is the variable value. When the swing is set to Relative To Middle Frequency(E0.00=1), the sudden jump frequency is the fixed value.

The frequency of wobble operation is restricted by the upper and lower frequencies.

E0.03	Wobble cycle	0.1s~3000.0s	10.0s	☆
E0.04	Triangle wave rise time coefficient	0.1%~100.0%	50.0%	☆

Wobble cycle: the time of a complete wobble cycle.

Triangle wave rise time coefficient(E0.04), the time percentage of Triangle Wave Rise Time relative to Wobble Cycle(E0.03) Triangle wave rise time = Wobble cycle(E0.03) × Triangle wave rise time coefficient(E0.04), unit: second(s). Triangle wave drop time = Wobble cycle(E0.03) × (1 - Triangle wave rise time coefficient(E0.04)), unit: second(s).

E0.05	Set length	0m~65535m	1000m	☆
E0.06	Actual length	0m~65535m	0m	☆
E0.07	Pulse per meter	0.1~6553.5	100.0	☆

The above function codes are used to fixed-length control.

The length information is sampled through the multi-function digital input terminal, the pulse number sampled by terminal divides the pulse per meter(E0.07), so then the Actual length(E0.06) can be computed out. When the Actual length is greater than the set length (E0.05), the multi-functional digital DO will output "Length Arrival" ON signal.

During the fixed-length control, the multifunction DI terminal can be used to reset length (DI function selects 28), please refer to F1.00 to F1.09 for details.

In some applications, the related input terminal function shall be set to "Length Count Input"(function 27), when the pulse frequency is higher, DI5 port must be used .

E0.08	Set count value	1~65535	1000	☆
E0.09	Specified count value	1~65535	1000	☆

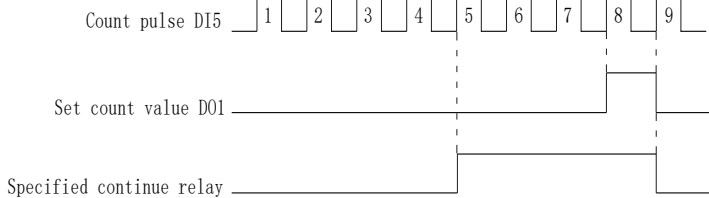


Figure 5-30:Schematic diagram of the set count value reference and the specified value

The count value needs to be sampled through the multi-function digital input terminal. In some applications, the related input terminal function shall be set to "Counter Input"(function 25), when the pulse frequency is higher, DI5 port must be used .

When the count value reaches the set count value(E0.08), the multifunction digital DO will output "Set Count Value Arrival" ON signal, then the counter stops counting.

When the count value reaches the specified count value(E0.09), the multifunction digital DO will output "Specified Count Value Arrival" ON signal, then the counter continues to count, and then stop till the set count value.

The figure is the schematic diagram of E0.08 = 8 and E0.09 = 4.

E0.10	Reduction frequency pulse number	0: Invalid; 1~65535	0	☆
E0.11	Reduction frequency	0.00Hz~F0.19(max frequency)	5.00Hz	☆

Applications need to the corresponding input terminals function is set to "counter

input"(function 25), when set count (E0.08) = count (d0.12) + reduction frequency pulse number (E0.10), the converter automatically slow down to the set reduction frequency (E0.11) run.

Remark: To reset the Count value need to the corresponding input terminals function be set to "counter reset" (function 26)

### 5-2-16. Multi-stage command, simple PLC: E1.00 - E1.51

Code	Parameter name	Setting range	Factory setting	Change limits
E1.00	0-stage speed setting 0X	-100.0% to 100.0%	0.0%	☆
E1.01	1-stage speed setting 1X	-100.0% to 100.0%	0.0%	☆
E1.02	2-stage speed setting 2X	-100.0% to 100.0%	0.0%	☆
E1.03	3-stage speed setting 3X	-100.0% to 100.0%	0.0%	☆
E1.04	4-stage speed setting 4X	-100.0% to 100.0%	0.0%	☆
E1.05	5-stage speed setting 5X	-100.0% to 100.0%	0.0%	☆
E1.06	6-stage speed setting 6X	-100.0% to 100.0%	0.0%	☆
E1.07	7-stage speed setting 7X	-100.0% to 100.0%	0.0%	☆
E1.08	8-stage speed setting 8X	-100.0% to 100.0%	0.0%	☆
E1.09	9-stage speed setting 9X	-100.0% to 100.0%	0.0%	☆
E1.10	10-stage speed setting 10X	-100.0% to 100.0%	0.0%	☆
E1.11	11-stage speed setting 11X	-100.0% to 100.0%	0.0%	☆
E1.12	12-stage speed setting 12X	-100.0% to 100.0%	0.0%	☆
E1.13	13-stage speed setting 13X	-100.0% to 100.0%	0.0%	☆
E1.14	14-stage speed setting 14X	-100.0% to 100.0%	0.0%	☆
E1.15	15-stage speed setting 15X	-100.0% to 100.0%	0.0%	☆

The multi-stage command can be used as frequency source, can also act as the set source of process PID. The dimension of multi-stage command is the relative values and its range is from -100.0% to 100.0%, when it acts as the frequency source, it is the percentage of maximum frequency; due to the PID reference is originally as a relative value, therefore the multi-stage command acts as the set source of PID and does not need dimension conversion.

The multi-stage command needs to switch according to the different states of multifunction digital DI, please refer to F1 group for specific instructions.

E1.16	Simple PLC running mode	stop after single running	0	0	☆
		hold final value after single running	1		
		circulating	2		

The figure is the schematic diagram of Simple PLC as the frequency source. For Simple PLC as the frequency source, the positive or negative value of E1.00 to E1.15 determines the running direction, the negative value indicates that the inverter runs at the opposite direction.

As the frequency source, PLC operates in three modes, including:

0: stop after single running

After the inverter completes a single cycle, it will automatically shut down, the running command must be given before restart.

1: hold final value after single running

After the inverter completes a single cycle, it will automatically maintain the frequency and direction of the last stage.

2: circulating

After the inverter completes a cycle, it will automatically start next cycle, and stop till the stop command is given.

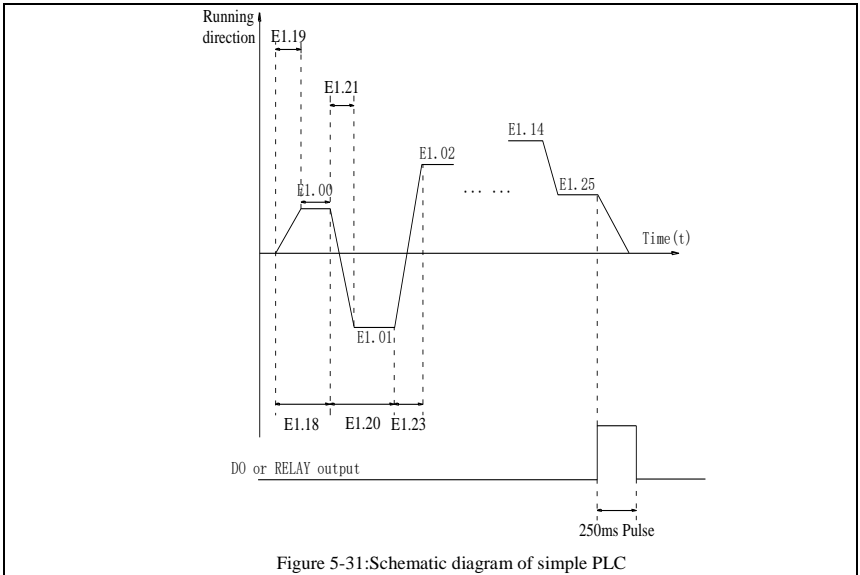


Figure 5-31: Schematic diagram of simple PLC

E1.17	Simple PLC power-down memory selection	Units digit	power-down memory selection	11	☆	
		power-down without memory				0
		power-down with memory				1
		Tens digit	stop memory selection			
		stop without memory				0
		stop with memory				1

PLC "Power-Down With Memory" means that the PLC operating stage and frequency before power-down are memorized, and then it will continue to run from the position of the memorized stage in next power-on. If Power-Down Without Memory is selected, the PLC process will restart from the starting position for each power-on

PLC "Stop With Memory" means that the PLC operating stage and frequency before stop are recorded, and then it will continue to run from the position of the recorded stage in next run. If Stop Without Memory is selected, the PLC process will restart from the starting position for each start.

E1.18	0 stage running time T0	0.0s(h) to 6500.0s(h)	0.0s(h)	☆
E1.19	0 stage ac/deceleration time selection	0 to 3	0	☆
E1.20	1 stage running time T1	0.0s(h) to 6500.0s(h)	0.0s(h)	☆
E1.21	1 stage ac/deceleration time selection	0 to 3	0	☆
E1.22	2 stage running time T2	0.0s(h) to 6500.0s(h)	0.0s(h)	☆
E1.23	2 stage ac/deceleration time selection	0 to 3	0	☆
E1.24	3 stage running time T3	0.0s(h) to 6500.0s(h)	0.0s(h)	☆
E1.25	3 stage ac/deceleration time selection	0 to 3	0	☆
E1.26	4 stage running time T4	0.0s(h) to 6500.0s(h)	0.0s(h)	☆
E1.27	4 stage ac/deceleration time selection	0 to 3	0	☆
E1.28	5 stage running time T5	0.0s(h) to 6500.0s(h)	0.0s(h)	☆
E1.29	5 stage ac/deceleration time selection	0 to 3	0	☆
E1.30	6 stage running time T6	0.0s(h) to 6500.0s(h)	0.0s(h)	☆
E1.31	6 stage ac/deceleration time selection	0 to 3	0	☆
E1.32	7 stage running time T7	0.0s(h) to 6500.0s(h)	0.0s(h)	☆

E1.33	7 stage ac/deceleration time selection	0 to 3	0	☆
E1.34	8 stage running time T8	0.0s(h) to 6500.0s(h)	0.0s(h)	☆
E1.35	8 stage ac/deceleration time selection	0 to 3	0	☆
E1.36	9 stage running time T9	0.0s(h) to 6500.0s(h)	0.0s(h)	☆
E1.37	9 stage ac/deceleration time selection	0 to 3	0	☆
E1.38	10 stage running time T10	0.0s(h) to 6500.0s(h)	0.0s(h)	☆
E1.39	10 stage ac/deceleration time selection	0 to 3	0	☆
E1.40	11 stage running time T11	0.0s(h) to 6500.0s(h)	0.0s(h)	☆
E1.41	11 stage ac/deceleration time selection	0 to 3	0	☆
E1.42	12 stage running time T12	0.0s(h) to 6500.0s(h)	0.0s(h)	☆
E1.43	12 stage ac/deceleration time selection	0 to 3	0	☆
E1.44	13 stage running time T13	0.0s(h) to 6500.0s(h)	0.0s(h)	☆
E1.45	13 stage ac/deceleration time selection	0 to 3	0	☆
E1.46	14 stage running time T14	0.0s(h) to 6500.0s(h)	0.0s(h)	☆
E1.47	14 stage ac/deceleration time selection	0 to 3	0	☆
E1.48	15 stage running time T15	0.0s(h) to 6500.0s(h)	0.0s(h)	☆
E1.49	15 stage ac/deceleration time selection	0 to 3	0	☆
Multi-speed operation and ac-/deceleration time pair selection 0 to 3, corresponding to the function codes:				
0: F0.13, F0.14		2: F7.10, F7.11		
1: F7.08, F7.09		3: F7.12, F7.13		
E1.50	Simple PLC run-time unit	S(seconds) H(hours)	0 1	0 ☆
E1.51	Multi-stage command 0 reference manner	Function code E1.00 reference Analog AI1 reference Analog AI2 reference Panel potentiometer setting High-speed pulse setting PID control setting Keyboard set frequency (F0.01) setting, UP/DOWN can be modified Analog AI3 reference	0 1 2 3 4 5 6 7	0 ☆
This parameter determines the multi-stage command 0 reference channel. The multi-stage command 0 not only can select E1.00, but also there are a variety of other options so as to facilitate switching between the multi-stage command and the other reference manner.				

**5-2-17.PID function: E2.00-E2.32**

PID control is a commonly used method of process control, a closed loop system is formed by the proportional, integral and differential operation of difference between the controlled value feedback signal and target value signal and by adjusting the inverter output frequency so as to stabilize the controlled value at the position of the target value.Suitable for flow control, pressure control and temperature control and other process control applications.

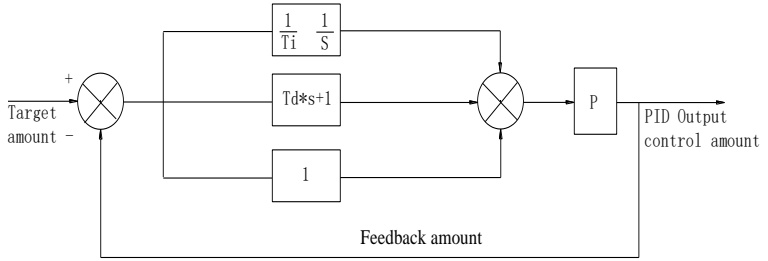


Figure 5-32:Flow diagram of process PID principle

Code	Parameter name	Setting range	Factory setting	Change limits
E2.00	PID setting source	E2.01 setting	0	☆`
		Analog AI1 reference	1	
		Analog AI2 reference	2	
		Panel potentiometer setting	3	
		High-speed pulse setting	4	
		Communications reference	5	
		Multi-stage command reference	6	
E2.01	PID keyboard reference	0.0% to 100.0%	50.0%	☆
<p>This parameter is used to select the process PID target value reference channel.                      The set target value of process PID is a relative value, the setting range is from 0.0% to 100.0%. The feedback value of PID is also a relative value, the role of PID is to remain the same for the two relative values.</p>				
E2.02	PID feedback source	Analog AI1 reference	0	☆
		Analog AI2 reference	1	
		Panel potentiometer setting	2	
		AI1-AI2 reference	3	
		High-speed pulse setting	4	
		Communications reference	5	
		AI1+AI2 reference	6	
		MAX( AI1 ,  AI2 ) reference	7	
MIN( AI1 ,  AI2 ) reference	8			
	Analog AI3 reference	9		
<p>This parameter is used to select the process PID feedback signal channel. The feedback value of process PID is also a relative value, the setting range is from 0.0% to 100.0%.</p>				
E2.03	PID action direction	Positive	0	☆
		negative	1	
E2.04	PID reference feedback range	0 to 65535	1000	☆
<p>PID reference feedback range is a dimensionless unit for PID setting display(d0.15) and PID feedback display(d0.16).                      The 100.0% of the relative value of PID reference feedback corresponds to a setting feedback range(E2.04). If E2.04 is set to 2000, when PID setting is 100.0%, PID setting display(d0.15) will be 2000.</p>				
E2.05	PID inversion cutoff frequency	0.00 to F0.19(maximum frequency)	0.00Hz	☆
<p>In some cases, only when the PID output frequency is negative (i.e.the inverter reverses), PID can control the reference value and the feedback value to the same states, but the excessive inversion frequency is not allowed in some occasions, E2.05 is used to the upper limit of determine inversion frequency.</p>				

E2.06	PID deviation limit	0.0% to 100.0%	2.0%	☆
<p>When the deviation between PID reference value and PID feedback value is less than E2.06, PID will stop regulating action. Thus, when the deviation is lesser, the output frequency will be stable, it is especially effective for some closed-loop control occasions.</p>				
E2.07	PID differential limiting	0.00% to 100.00%	0.10%	☆
<p>The role of the differential is more sensitive in PID regulator, is likely to cause system oscillation, generally the role is limited to a smaller range, E2.07 is used to set PID differential output range.</p>				
E2.08	PID reference change time	0.00s to 650.00s	0.00s	☆
<p>The PID reference change time means the required time that PID reference value changes from 0.0% to 100.0%. When the PID reference changes, the PID reference value will change linearly according to the reference change time to reduce the adverse effects to the system caused by a sudden reference change.</p>				
E2.09	PID feedback filter time	0.00s to 60.00s	0.00s	☆
<p>E2.09 is used for filtering the PID feedback quantity, the filter helps reduce the influence of interference to the feedback quantity, but will reduce the response performance of the process closed loop system.</p>				
E2.10	PID output filter time	0.00s to 60.00s	0.00s	☆
<p>E2.10 is used for filtering the PID output frequency, the filter will weaken the sudden change of the inverter output frequency, but it will also reduce the response performance of the process closed loop system.</p>				
E2.11	PID feedback loss detection value	0.0%: not judged feedback loss 0.1% to 100.0%	0.0%	☆
E2.12	PID feedback loss detection time	0.0s to 20.0s	0.0s	☆
<p>This function code is used to determine whether the PID feedback is lost or not. When the PID feedback is less than the PID feedback loss detection value(E2.11), and the duration is longer than the PID feedback loss detection time(E2.12), the inverter will alarm fault ID Err.31, and troubleshoot according to the selected method.</p>				
E2.13	Proportional gain KP1	0.0 to 200.0	80.0	☆
E2.14	Integration time Ti1	0.01s to 10.00s	0.50s	☆
E2.15	Differential time Td1	0.00s to 10.000s	0.000s	☆
<p>Proportional gain KP1: Used to decide the extent of the PID regulator, the greater KP1, the greater adjusting extent. This parameter 100.0 means that when the deviation of PID feedback value and reference value is 100.0%, the PID regulator will adjust the output frequency command to the maximum frequency. Integration time Ti1: used to decide the extent of integral adjustment of the PID regulator. The shorter integration time, the greater extent of integral adjustment The integration time means that when the deviation of PID feedback value and reference value is 100.0%, the integration regulator will successively adjust to the maximum frequency for the time. Differential time Td1: used to decide the extent that the PID regulator adjusts the deviation change rate. The longer differential time, the greater extent of adjustment The differential time means that the feedback value changes 100.0% within the time, the differential regulator will adjust to the maximum frequency.</p>				
E2.16	Proportional gain KP2	0.0 to 200.0	20.0	☆
E2.17	Integration time Ti2	0.01s to 10.00s	2.00s	☆
E2.18	Differential time Td2	0.00s to 10.000s	0.000s	☆
E2.19	PID parameter switching conditions PID parameter switching deviation 1	no switching	0	☆
		switching via terminals	1	
		automatically switching according to deviation.	2	
E2.20	PID deviation for group 1	0.0% to E2.21	20.0%	☆
E2.21	PID deviation for group 2	E2.20 to 100.0%	80.0%	☆
<p>In some applications, only one group of PID parameters can not meet the needs of the entire</p>				

run, it is required to use different PID parameters under different conditions.

This group of function codes is used to switch between two groups of PID parameters. Which the setting method for regulator parameter(E2.16 to E2.18) is similar to the parameter(E2.13 to E2.15).The two groups of PID parameters can be switched by the multi-functional digital DI terminal, can also be switched automatically according to the PID deviation.If you select the multi-functional DI terminal, the multi-function terminal function selection shall be set to 43 (PID parameter switching terminal), select parameter group 1 (E2.13 E2.15) when the terminal is inactive, otherwise select parameter group 2 (E2.16 to E2.18).

If you select the automatic switch mode, and when the absolute value of deviation between reference and feedback parameters is less than PID parameter switching deviation 1(E2.20), select parameter group 1 for PID parameter. When the absolute value of deviation between reference and feedback parameters is more than PID parameter switching deviation 2(E2.21), select parameter group 2 for PID parameter. If the deviation between reference and feedback parameters is between switching deviation 1 and switching deviation 2, PID parameter is the linear interpolation of the two groups of PID parameters , as shown in the figure.

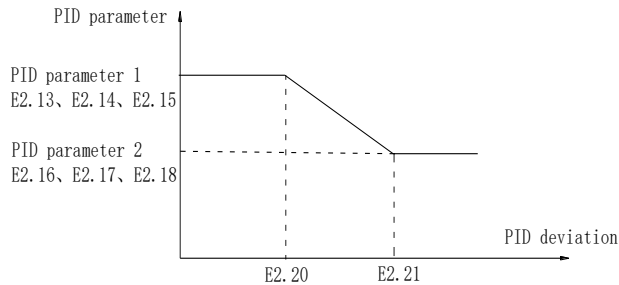


Figure 5-33:PID parameter switch

E2.22	PID integral properties	Units digit	integral separation	00	☆	
		Invalid				0
		Valid				1
		Tens digit	whether stop integration when output reaches limit			
		continue				0
		stop integral				1

Integral separation:If the integral separation is set to active, when the integral pause of multifunction digital DI(function 38) is active, PID integral will stop operations, at the time only the proportional and derivative actions of PID is active.If the integral separation is set to inactive, however the multifunction digital DI is active or inactive, the integral separation will be inactive. Whether stop integration when output reaches limit: you can select whether or not to stop the integral action after PID operation output reaches the maximum or the minimum value.If you select to stop the integral action, the PID integral will stop the calculation, which may help to reduce the overshoot of PID.

E2.23	PID initial value	0.0%~100.0%( Max frequency)	0.0%	☆
E2.24	PID initial value hold time	0.00s~360.00s	0.00s	☆

When the inverter starts, PID output is fixed at PID initial value(E2.23), and then continuous for the PID initial value hold time(E2.24), at last PID begins operation of the closed-loop adjustment.

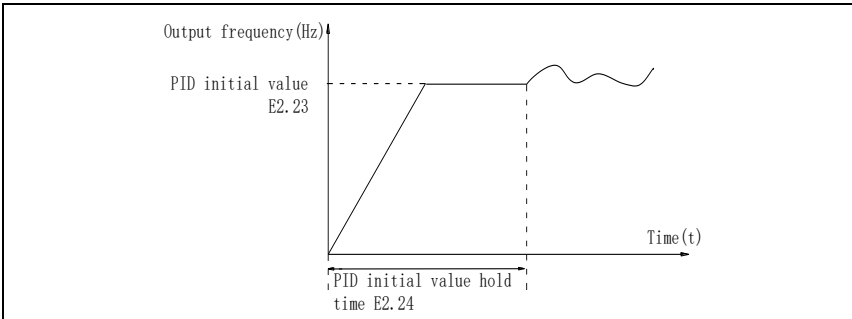


Figure 5-34: functional schematic of PID initial value.

E2.25	Maximum deviation of two outputs (forward)	0.00% to 100.00%	1.00%	☆
E2.26	Maximum deviation of two subsequent outputs (backward)	0.00% to 100.00%	1.00%	☆

This function is used to limit the deviation between two PID output beats(2ms/beats), in order to suppress the too fast changes of PID output so that stabilizing the inverter operation.

E2.25 and E2.26 respectively corresponds to the maximum of the absolute value of output deviation when rotating forward and reverse.

E2.27	Computing status after PID stop	stop without computing	0	1	☆
		stop with computing	1		

Used to select whether to continue computing in the state of PID shutdown. Generally, PID will stop computing in the state of shutdown.					
E2.28	Reserved				
E2.29	PID automatic deceleration frequency option	Invalid	0	1	☆
		valid	1		

PID feedback value equal to the given value, the inverter frequency is reduced effectively. When PID frequency effectively reduced, frequency converter detection time interval E2.31 reduced frequency, every time decrease frequency of 0.5 Hz, if in the process of reducing frequency feedback value is less than the given value, inverter speed up directly to the set value.

E2.30	PID stop frequency	0Hz to Max frequency (F0.19)	25Hz	☆
-------	--------------------	------------------------------	------	---

The function code only in automatic frequency reduction (E2.29) when selecting effective use.

The feedback value of the transducer is equal to the given value, the number of PID detection starts counting, and every PID detection time (E2.31) counts a number of times. When the count is greater than or equal to the number of PID detection (E2.32), if the frequency of the inverter frequency is less than PID stop frequency (E2.30), then the frequency converter to slow down by 0.5Hz until 0Hz or the sleep frequency is reached or the feedback drops below the setting.

E2.31	PID detection time	0s to 3600s	10	☆
-------	--------------------	-------------	----	---

PID frequency effectively reduced, used to detect the time of frequency decline

E2.32	PID detection number	1 to 500	20	☆
-------	----------------------	----------	----	---

This function relate to the stop frequency setting of PID, the inverter will decelerate and stop when the detective time set reach.

### 5-2-18.Virtual DI, Virtual DO: E3.00 - E3.21

Code	Parameter name	Setting range	Factory setting	Change limits
E3.00	Virtual VDI1 terminal function selection	0 to 51	0	★
E3.01	Virtual VDI2 terminal function selection	0 to 51	0	★
E3.02	Virtual VDI3 terminal function selection	0 to 51	0	★



E3.03	Virtual VDI4 terminal function selection	0 to 51	0	★		
E3.04	Virtual VDI5 terminal function selection	0 to 51	0	★		
Virtual VDI1 ~ VDI5 on the function, are exactly as same as the DI on the control panel, can be used as a multi-function digital quantity input, the details please refer to the F1.00 ~ F1.09 is introduced.						
E3.05	Virtual VDI effective status set mode	Units digit	Virtual VDI1		00000	★
		Invalid	0			
		Valid	1			
		Tens digit	Virtual VDI2 (0-1, same as unit digit)			
		Hundreds digit	Virtual VDI3 (0-1, same as unit digit)			
		Thousands digit	Virtual VDI4 (0-1, same as unit digit)			
E3.06	Virtual VDI status set	Units digit	Virtual VDI1		11111	★
		VD1 whether valid is decided by Virtual VDOX status	0			
		VD1 whether valid is decided by Virtual VDOX status	1			
		Tens digit	Virtual VDI2 (0-1, same as unit digit)			
		Hundreds digit	Virtual VDI3 (0-1, same as unit digit)			
		Thousands digit	Virtual VDI4 (0-1, same as unit digit)			
Different from ordinary digital quantity input terminals, virtual VDI state can have two setting modes which is selected by E3.06.						
When selecting VDI state is determined by the state of the corresponding virtual VDO, VDI is valid or invalid state depending on the VDO output valid or invalid, and VDI <sub>x</sub> only binding VDO <sub>x</sub> (x=1~5).						
When choosing VDI state selection function code to set, through the binary bits of E3.05, respectively determine the state of virtual input terminals.						
Example of how to use VDI.						
Example 1. Implement following function: “Inverter fault alarm and shuts down when AI1 input exceeds upper or lower frequency” .						
Realize by following settings: Set VDI state decided by VDO, set VDI1 function as “ user defined fault 1” (E3.00=44); set VDI1 terminal state effective mode decided by VDO1 (E3.06=xxx0); set VDO1 output function as “AI1 input exceeds upper & lower frequency” (E3.11=31); so when AI1 input exceeds upper or lower frequency, VDO1 state is ON, VDI1 input terminal state is effective, VDI1 receive user defined fault 1, inverter then alarm fault no. 27 and shuts down.						
Example 2. Implement following function: “Inverter run automatically after power-on”.						
Realize by following settings: set VDI state decided by function code E3.05, set VDI1 function as “FORWARD” (E3.00=1); set VDI1 terminal state effective decided by function code (E3.06=xxx1); set VDI1 terminal state is effective (E3.05=xxx1); set command source as “terminal control” (F0.11=1); set protection selection as “no protection” (F7.22=0); so after inverter powered on and initialization complete, VDI1 detected effective, and it match forward running, then inverter starts running forwardly.						
E3.07	AI1 terminal as a function selection of DI	0 to 51	0	★		
E3.08	AI2 terminal as a function selection of DI	0 to 51	0	★		
E3.09	Panel encoder as a function selection of DI	0 to 51	0	★		
E3.10	AI terminal as a function selection of DI	Units digit	AI1		000	★
		High level effectively	0			
		High level effectively	1			
		Tens digit	AI2 (same as units digit)			
		Hundreds digit	Panel encoder (same)			
This group function code is used when using AI as DI, when AI used as DI, and input voltage of AI is greater than 7V, AI terminal status will be high level, when input voltage is lower than 3V,						

status will be low level. Between 3V~ 7V, hysteresis applies and keeps the last unambiguous state. E3.10 is to determine whether when the AI is used as DI, AI is made valid in high level state, or in low level state. As for AI as DI feature set, same as the ordinary DI Settings, please refer to the F1 group setting instructions related DI. Below figure is AI input voltage taken as an example, explains the relationship between input voltage of AI and the corresponding state of DI:

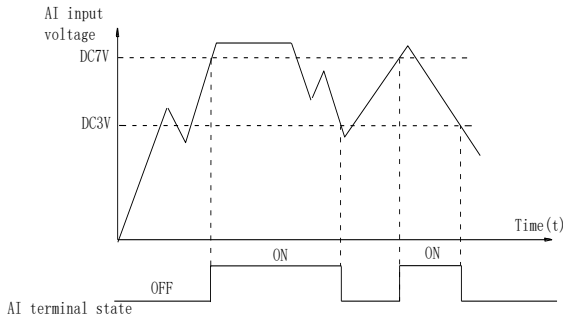


Figure 5-35: Judgment of effective state of AI

E3.11	VDO1 output function	With the physical internal sub DIx	0	0	☆	
		See F2 group physical DO output option	1 to 40			
E3.12	VDO2 output function	With the physical internal sub DIx	0	0	☆	
		See F2 group physical DO output option	1 to 40			
E3.13	VDO3 output function	With the physical internal sub DIx	0	0	☆	
		See F2 group physical DO output option	1 to 40			
E3.14	VDO4 output function	With the physical internal sub DIx	0	0	☆	
		See F2 group physical DO output option	1 to 40			
E3.15	VDO5 output function	With the physical internal sub DIx	0	0	☆	
		See F2 group physical DO output option	1 to 40			
E3.16	VDO output effective status	Units digit	VDO1	00000	☆	
		Positive logic				0
		Negative logic				1
		Tens digit	VDO2 (0 to 1, same as above)			
		Hundreds digit	VDO3 (0 to 1, same as above)			
		Thousands digit	VDO4 (0 to 1, same as above)			
	Ten thousands digit	VDO5 (0 to 1, same as above)				
E3.17	VDO1 output delay time	0.0s to 3600.0s		0.0s	☆	
E3.18	VDO2 output delay time	0.0s to 3600.0s		0.0s	☆	
E3.19	VDO3 output delay time	0.0s to 3600.0s		0.0s	☆	
E3.20	VDO4 output delay time	0.0s to 3600.0s		0.0s	☆	
E3.21	VDO5 output delay time	0.0s to 3600.0s		0.0s	☆	

VDO and DO output function is similar, can be used in conjunction with VDIX, to achieve some simple logic control .

When VDOx output function is 0, output status is decided by DI1~DI5 input status on the control board, VDOx and DIx one-to-one correspondence.

When the output function selection is not 0, VDOx function setting and using method is same as D0 in F2 output parameter, please read F2 group parameter description.

The VDOx output valid status can be set by E3.16 setting, select positive logic or anti-logic.

## 5-2-19.Motor parameters: b0.00-b0.35

Code	Parameter name	Setting range	Factory setting	Change limits	
b0.00	Motor type selection	General asynchronous motor	0	0	★
		Asynchronous inverter motor	1		
		Permanent magnet synchronous motor	2		
b0.01	Rated power	0.1kW to 1000.0kW	-	★	
b0.02	Rated voltage	1V to 2000V	-	★	
b0.03	Rated current	0.01A to 655.35A(inverter power≤55kW) 0.1A to 6553.5A(inverter power >55kW)	-	★	
b0.04	Rated frequency	0.01Hz to F0.19(maximum frequency)	-	★	
b0.05	Rated speed	1rpm to 36000rpm	-	★	
<p>Above b0.00 to b0.05 are the motor nameplate parameters, which affects the accuracy of the measured parameters. Please set up according to the motor nameplate parameters. The excellent vector control performance needs the accurate motor parameters. The accurate identification of parameters is derived from the correct setting of rated motor parameters.</p> <p>In order to guarantee the control performance, please configure your motor according to the inverter standards, the motor rated current is limited to between 30% to 100% of the inverter rated current. The motor rated current can be set, but can not exceed the inverter rated current. This parameter can be used to determine the inverter's overload protection capacity and energy efficiency for the motor.</p> <p>It is used for the prevention of overheating caused by the self-cooled motor at low speed , or to correct for protecting the motor when the little change of the motor characteristics may affect the changes of the motor capacity.</p>					
b0.06	Asynchronous motor stator resistance	0.001Ω to 65.535Ω(inverter power≤55kW) 0.0001Ω to 6.5535Ω(inverter power>55kW)	-	★	
b0.07	Asynchronous motor rotor resistance	0.001Ω to 65.535Ω(inverter power≤55kW) 0.0001Ω to 6.5535Ω(inverter power>55kW)	-	★	
b0.08	Asynchronous motor leakage inductance	0.01mH to 655.35mH(inverter power≤55kW) 0.001mH to 65.535mH(inverter power>55kW)	-	★	
b0.09	Asynchronous motor mutUal inductance	0.01mH to 655.35mH(inverter power≤55kW) 0.001mH to 65.535mH(inverter power>55kW)	-	★	
b0.10	Asynchronous motor no-load current	0.01A to b0.03(inverter power≤55kW) 0.1A to b0.03(inverter power>55kW)	-	★	
<p>b0.06 to b0.10 are the asynchronous motor parameters, and generally these parameters will not appear on the motor nameplate and can be obtained by the inverter auto tuning. Among which, only three parameters of b0.06 to b0.08 can be obtained by Asynchronous Motor Parameters Still Auto tuning; however, not only all five parameters but also encoder phase sequence and current loop PI parameters can be obtained by Asynchronous Motor Parameters Comprehensive Auto tuning</p> <p>When modifying the motor's rated power (b0.01) or rated voltage (b0.02), the inverter will automatically calculate and modify the parameter values of b0.06 to b0.10 , and restore these 5 parameters to the motor parameters of commonly used standard Y Series.</p> <p>If the asynchronous motor parameters auto tuning can not be achieved on-site, you can enter the corresponding above parameters according to the parameters provided by the manufacturer.</p>					
b0.11	Synchronous motor stator resistance	0.001Ω to 65.535Ω(inverter power≤55kW) 0.0001Ω to 6.5535Ω(inverter power>55kW)	-	★	
b0.12	Synchronous D-axis inductance	0.01mH to 655.35mH(inverter power≤55kW) 0.001mH to 65.535mH(inverter power>55kW)	-	★	
b0.13	Synchronous Q-axis inductance	0.01mH to 655.35mH(inverter power≤55kW) 0.001mH to 65.535mH(inverter power>55kW)	-	★	
b0.14	Synchronous counter EMF coefficient	0.1V to 6553.5V	-	★	
b0.15	Reserve				

b0.26					
b0.27	Motor parameter auto tuning	No operation	0	0	★
		Asynchronous motor parameters still auto tuning	1		
		Asynchronous motor parameters comprehensive auto tuning	2		
		Synchronous motor parameters still auto tuning	11		
		Synchronous motor parameters comprehensive auto tuning	12		
<p>If the motor is able to disengage the load, in order to obtain a better operating performance, you can choose comprehensive auto tuning; otherwise, you can only select parameters still auto tuning. Firstly set the parameter according to load condition, and then press RUN key, the inverter will perform parameters auto tuning. Parameters auto tuning can be performed only under keyboard operation mode, is not suitable for terminal operation mode and communication operation mode.</p> <p>0: no operation, which prohibits parameters auto tuning.          1: asynchronous motor parameters still auto tuning          Motor type and motor nameplate parameters b0.00 to b0.05 must be set correctly before performing asynchronous motor parameters still auto tuning. The inverter can obtain b0.06 to b0.08 three parameters before performing asynchronous motor parameters still auto tuning.</p> <p>2: asynchronous motor parameters comprehensive auto tuning          During asynchronous motor parameters comprehensive auto tuning, the inverter firstly performs parameters still auto tuning, and then accelerates up to 80% of the rated motor frequency according to the acceleration time F0.13, after a period of time, and then decelerates till stop according to the deceleration time F0.14 to end auto tuning.          Before performing asynchronous motor parameters comprehensive auto tuning, not only motor type and motor nameplate parameters b0.00 to b0.05 must be set properly, but also encoder type and encoder pulses b0.29, b0.28.</p> <p>For asynchronous motor parameters comprehensive auto tuning, the inverter can obtain b0.06 to b0.10 five motor parameters, as well as the AB phase sequence b0.31 of encoder, vector control current loop PI parameters F5.12 to F5.15.</p> <p>11: synchronous motor parameters still auto tuning          Motor type and motor nameplate parameters b0.00 to b0.05 must be set correctly before performing synchronous motor parameter auto tuning with load. For synchronous motor parameters auto tuning with load, the inverter can obtain the initial position angle, and this is the necessary condition of normal operation of synchronous motor, therefore synchronous motor must perform parameters auto tuning for the first installation and before the initial use.</p> <p>12: synchronous motor parameters comprehensive auto tuning          During synchronous motor parameters auto tuning without load, the inverter firstly perform parameters auto tuning with load, and then accelerates up to F0.01 according to the acceleration time F0.13, after a period of time, and then decelerates till stop according to the deceleration time F0.14 to end auto tuning. Please note that F0.01 must be set to a non-zero value when performing identification operation.          Before performing synchronous motor parameters auto tuning without load, not only motor type and motor nameplate parameters b0.00 to b0.05 must be set properly, but also encoder pulses b0.29, encoder type b0.28, encoder pole-pairs b0.35.</p> <p>For synchronous motor parameter auto tuning without load, the inverter can obtain not only b0.11 to b0.14 motor parameters, as well as encoder information b0.30 b0.31 b0.32, b0.33, vector control current loop PI parameters F5.12 to F5.15.</p> <p>Note: Motor parameter auto tuning can only be operated under keyboard control mode, under terminal and communication control mode the auto tuning function is invalid.</p>					
b0.28	Encoder type	ABZ incremental encoder	0	0	★
		UVW incremental encoder	1		

		Rotational transformer	2		
		Sine and cosine encoder	3		
		Wire-saving UVW encoder	4		
<p>ST500 supports multiple encoder types, the different encoders need different PG card, please correctly choose PG card. Synchronous motor can choose any of the 5 kinds of encoder, asynchronous motors generally only choose ABZ incremental encoder and rotational transformer.</p> <p>PG card is installed, it is necessary to correctly set b0.28 according to the Actual situation, otherwise the inverter may not play correctly.</p>					
b0.29	Encoder every turn pulse number	1 to 65535	2500	★	
<p>Set ABZ or UVW incremental encoder per rotation pulses.</p> <p>In vector control with PG, we must correct the parameter, otherwise the motor will not run properly</p>					
b0.30	Encoder installation angle	0.00 to 359.90	0.00	★	
<p>Current detection compensation for setting inverter control, if it is set too large which may cause performance degradation.</p> <p>The parameter is only valid to synchronous motors control, and it is valid to ABZ incremental encoder, UVW incremental encoder, rotational transformer, wire-saving UVW encoder, while invalid to sine and cosine encoders.</p> <p>The parameter can be used for obtaining parameters when performing synchronous motor parameters still auto tuning and synchronous motor parameters comprehensive auto tuning, and it is very important to the operation of synchronous motors, therefore after the synchronous motor is first installed, the motor parameter auto tuning must be performed for functioning correctly.</p>					
b0.31	ABZ incremental encoder AB phase sequence	Forward	0	0	★
		Reverse	1		
<p>The function code is only valid to ABZ incremental encoder, that is valid only when b0.28 = 0. It is used to set the AB signal phase sequence of ABZ incremental encoder.</p> <p>The function codes are valid for asynchronous motors and synchronous motors, when performing asynchronous motor parameters comprehensive auto tuning or synchronous motor parameters comprehensive auto tuning, the AB phase sequence of ABZ incremental encoder can be obtained.</p>					
b0.32	UVW encoder offset angle	0.00 to 359.90	0.00	★	
b0.33	UVW encoder UVW phase sequence	Forward	0	0	★
		Reverse	1		
<p>The two parameters are valid only for synchronous motor with UVW encoder.</p> <p>The two parameters can be used for obtaining parameters when performing synchronous motor parameters still auto tuning and synchronous motor parameters comprehensive auto tuning, and the two parameters are very important to the operation of synchronous motors, therefore after the synchronous motor is first installed, the motor parameter auto tuning must be performed for functioning correctly.</p>					
b0.34	speed feedback PG disconnection detection time	0.0s: OFF	0.0s	★	
		0.1s to 10.0s			
<p>It is used to set encoder disconnection fault detection time, when it is set to 0.0s, the inverter does not detect the disconnection fault of encoder.</p> <p>When the inverter detects a disconnection fault, and the fault lasts for more than b0.34 set time, the inverter gives out Alarm Err.20. message.</p>					
b0.35	Pole-pairs of rotary transformer	1 to 65535	1	★	
<p>The rotary transformer has pole-pairs, the correct pole-pairs parameters must be set when using the kind of encoder.</p>					

**5-2-20.Function code management: y0.00-y0.04**

Code	Parameter name	Setting range	Factory setting	Change limits			
y0.00	Parameter initialization	No operation	0	★			
		Restore the factory parameters, not including motor parameters	1				
		Clear history	2				
		Restore default parameter values, including motor parameters	3				
		Backup current user parameters	4				
		Restore user backup parameters	501				
		Clear keyboard storage area	10				
		upload parameter to keyboard storage area 1	11				
		upload parameter to keyboard storage area 2	12				
		download the parameters from keyboard storage 1 area to the storage system	21				
		download the parameters from keyboard storage 2 area to the storage system	22				
		<p>1: restore the factory setting, not including motor parameters:after y0.00 is set to 1, most of the inverter function parameters are restored to the factory default parameters, but motor parameters, frequency command decimal point (F0.02), fault recording information, cumulative running time, cumulative power-on time and cumulative power consumption will not be restored.</p> <p>2: clear history: to clear the history of the inverter's fault recording information, cumulative running time, cumulative power-on time and cumulative power consumption.</p> <p>3: restore default parameter values including motor parameters.</p> <p>4: backup current user parameters:backup the parameters set by the current user. Backup all function parameters. It is easy to restore the default settings when user incorrectly adjust parameters.</p> <p>501: Restore user backup parameters:Restore previous backup user parameters.</p> <p>10: Clear keyboard storage area:Empty keyboard storage area 1 and keyboard storage area 2</p> <p>11: upload parameter to keyboard storage area 1:Upload the parameters of the inverter to keyboard storage area 1.</p> <p>12: upload parameter to keyboard storage area 2:Upload the parameters of the inverter to the keyboard storage area 2.</p> <p>21: download the parameters from keyboard storage 1 area to the storage system:Download the parameters from keyboard storage 1 to inverter</p> <p>22:download the parameters from keyboard storage 2 area to the storage system:Download the parameters from keyboard storage 2 to inverter</p>					
y0.01	User password	0 to 65535	0	☆			
<p>When y0.01 is set to one any non-zero number, the password protection will take effect. You enter the menu for the next time, you must enter the password correctly, otherwise can not view and modify the function parameters, please keep in mind the set user password.</p> <p>When y0.01 is set to 0, the set user password will be cleared, the password protection function is invalid.</p>							
y0.02	Function parameters display properties	Units digit	d group display selection		11111	★	
		Not display					0
		Display					1
		Tens digit	E group display selection				0
		Not display					
		Display					1
		Hundreds digit	b group display selection				0
		Not display					

		Display	1		
		Thousands digit	y1 group display selection		
		Not display	0		
		Display	1		
		Ten thousands digit	L group display selection		
		Not display	0		
		Display	1		
y0.03	User Parameters display	Units digit:Reserved Tens digit: User's change parameter display selection 0: Not display; 1: Display		00	☆
y0.04	Function code modification properties	Modifiable	0	0	☆
		Not modifiable	1		
<p>User can set whether function code parameter can be modified or not, so as to prevent the risk that function parameters are altered unexpectedly.</p> <p>If the function code is set to 0, all function code can be modified; while it is set to 1, all function code can only be viewed, can not be modified.</p>					

### 5-2-21.Fault query:y1.00-y1.30

Code	Parameter name	Setting range	Factory setting	Change limits																																																																								
y1.00	Type of the first (oldest) fault	0 to 51	-	●																																																																								
y1.01	Type of the second fault	0 to 51	-	●																																																																								
y1.02	Type of the third (most recent) fault	0 to 51	-	●																																																																								
<p>Record the type of the last three faults of inverter, 0 for no fault. Please refer to the related instructions for the possible causes and solutions for each fault code.</p> <p>Failure type table:</p> <table border="1"> <thead> <tr> <th>No.</th> <th>Failure type</th> <th>No.</th> <th>Failure type</th> </tr> </thead> <tbody> <tr> <td>0</td> <td>No fault</td> <td>20</td> <td>Encoder/PG card abnormal</td> </tr> <tr> <td>1</td> <td>Inverter unit protection</td> <td>21</td> <td>Parameter read and write abnormal</td> </tr> <tr> <td>2</td> <td>Acceleration overcurrent</td> <td>22</td> <td>Inverter hardware abnormal</td> </tr> <tr> <td>3</td> <td>Deceleration overcurrent</td> <td>23</td> <td>Motor short to ground</td> </tr> <tr> <td>4</td> <td>Constant speed overcurrent</td> <td>24</td> <td>Reserve</td> </tr> <tr> <td>5</td> <td>Acceleration overvoltage</td> <td>25</td> <td>Reserve</td> </tr> <tr> <td>6</td> <td>Deceleration overvoltage</td> <td>26</td> <td>Running time arrival</td> </tr> <tr> <td>7</td> <td>Constant speed overvoltage</td> <td>27</td> <td>Custom fault 1</td> </tr> <tr> <td>8</td> <td>Control power failure</td> <td>28</td> <td>Custom fault 2</td> </tr> <tr> <td>9</td> <td>Undervoltage</td> <td>29</td> <td>Power-on time arrival</td> </tr> <tr> <td>10</td> <td>Inverter overload</td> <td>30</td> <td>Off load</td> </tr> <tr> <td>11</td> <td>Motor Overload</td> <td>31</td> <td>PID feedback loss when running</td> </tr> <tr> <td>12</td> <td>Input phase loss</td> <td>40</td> <td>Fast current limiting timeout</td> </tr> <tr> <td>13</td> <td>Output phase loss</td> <td>41</td> <td>Switch motor when running</td> </tr> <tr> <td>14</td> <td>Module overheating</td> <td>42</td> <td>Too large speed deviation</td> </tr> <tr> <td>15</td> <td>External fault</td> <td>43</td> <td>Motor over-speed</td> </tr> <tr> <td>16</td> <td>Communication abnormal</td> <td>45</td> <td>Motor overtemperature</td> </tr> </tbody> </table>					No.	Failure type	No.	Failure type	0	No fault	20	Encoder/PG card abnormal	1	Inverter unit protection	21	Parameter read and write abnormal	2	Acceleration overcurrent	22	Inverter hardware abnormal	3	Deceleration overcurrent	23	Motor short to ground	4	Constant speed overcurrent	24	Reserve	5	Acceleration overvoltage	25	Reserve	6	Deceleration overvoltage	26	Running time arrival	7	Constant speed overvoltage	27	Custom fault 1	8	Control power failure	28	Custom fault 2	9	Undervoltage	29	Power-on time arrival	10	Inverter overload	30	Off load	11	Motor Overload	31	PID feedback loss when running	12	Input phase loss	40	Fast current limiting timeout	13	Output phase loss	41	Switch motor when running	14	Module overheating	42	Too large speed deviation	15	External fault	43	Motor over-speed	16	Communication abnormal	45	Motor overtemperature
No.	Failure type	No.	Failure type																																																																									
0	No fault	20	Encoder/PG card abnormal																																																																									
1	Inverter unit protection	21	Parameter read and write abnormal																																																																									
2	Acceleration overcurrent	22	Inverter hardware abnormal																																																																									
3	Deceleration overcurrent	23	Motor short to ground																																																																									
4	Constant speed overcurrent	24	Reserve																																																																									
5	Acceleration overvoltage	25	Reserve																																																																									
6	Deceleration overvoltage	26	Running time arrival																																																																									
7	Constant speed overvoltage	27	Custom fault 1																																																																									
8	Control power failure	28	Custom fault 2																																																																									
9	Undervoltage	29	Power-on time arrival																																																																									
10	Inverter overload	30	Off load																																																																									
11	Motor Overload	31	PID feedback loss when running																																																																									
12	Input phase loss	40	Fast current limiting timeout																																																																									
13	Output phase loss	41	Switch motor when running																																																																									
14	Module overheating	42	Too large speed deviation																																																																									
15	External fault	43	Motor over-speed																																																																									
16	Communication abnormal	45	Motor overtemperature																																																																									

	17	Contactora abnormal	51	Initial position error																					
	18	Current detection abnormal	-	COF communication failure																					
	19	Motor auto tuning abnormal																							
y1.03		Frequency of the third fault		Frequency of the last (most recent) fault	●																				
y1.04		Current of the third fault		Current of the last (most recent) fault	●																				
y1.05		Bus voltage of the third fault		Bus voltage of the last (most recent) fault	●																				
y1.06		Input terminal status of the third fault		Input terminal status of the last (most recent) fault, the order is: <table border="1" style="margin-left: auto; margin-right: auto;"> <tr> <td>BIT9</td><td>BIT8</td><td>BIT7</td><td>BIT6</td><td>BIT5</td><td>BIT4</td><td>BIT3</td><td>BIT2</td><td>BIT1</td><td>BIT0</td> </tr> <tr> <td>D10</td><td>D19</td><td>D18</td><td>D17</td><td>D16</td><td>D15</td><td>D14</td><td>D13</td><td>D12</td><td>D11</td> </tr> </table> When the input terminal is ON, the corresponding binary bits is 1, OFF is 0, all DI status is converted to the decimal number for display.	BIT9	BIT8	BIT7	BIT6	BIT5	BIT4	BIT3	BIT2	BIT1	BIT0	D10	D19	D18	D17	D16	D15	D14	D13	D12	D11	●
BIT9	BIT8	BIT7	BIT6	BIT5	BIT4	BIT3	BIT2	BIT1	BIT0																
D10	D19	D18	D17	D16	D15	D14	D13	D12	D11																
y1.07		Output terminal status of the third fault		Output terminal status of the last (most recent) fault, the order is: <table border="1" style="margin-left: auto; margin-right: auto;"> <tr> <td>BIT4</td><td>BIT3</td><td>BIT2</td><td>BIT1</td><td>BIT0</td> </tr> <tr> <td>REL2</td><td>SPA</td><td>Reserve</td><td>REL1</td><td>SPB</td> </tr> </table> When the output terminal is ON, the corresponding binary bits is 1, OFF is 0, all DI status is converted to the decimal number for display.	BIT4	BIT3	BIT2	BIT1	BIT0	REL2	SPA	Reserve	REL1	SPB	●										
BIT4	BIT3	BIT2	BIT1	BIT0																					
REL2	SPA	Reserve	REL1	SPB																					
y1.08		Reserved																							
y1.09		Power-on time of the third fault		Current power-on time at the last fault	●																				
y1.10		Running time of the third fault		Current running time at the last fault	●																				
y1.11 to y1.12		Reserve																							
y1.13		Frequency of the second fault		Frequency of the second last fault	●																				
y1.14		Current of the second fault		Current of the second last fault	●																				
y1.15		Bus voltage of the second fault		Bus voltage of the second last fault	●																				
y1.16		Input terminal status of the second fault		Input terminal status of the second last fault, the order is: <table border="1" style="margin-left: auto; margin-right: auto;"> <tr> <td>BIT9</td><td>BIT8</td><td>BIT7</td><td>BIT6</td><td>BIT5</td><td>BIT4</td><td>BIT3</td><td>BIT2</td><td>BIT1</td><td>BIT0</td> </tr> <tr> <td>D10</td><td>D19</td><td>D18</td><td>D17</td><td>D16</td><td>D15</td><td>D14</td><td>D13</td><td>D12</td><td>D11</td> </tr> </table> When the input terminal is ON, the corresponding binary bits is 1, OFF is 0, all DI status is converted to the decimal number for display.	BIT9	BIT8	BIT7	BIT6	BIT5	BIT4	BIT3	BIT2	BIT1	BIT0	D10	D19	D18	D17	D16	D15	D14	D13	D12	D11	●
BIT9	BIT8	BIT7	BIT6	BIT5	BIT4	BIT3	BIT2	BIT1	BIT0																
D10	D19	D18	D17	D16	D15	D14	D13	D12	D11																
y1.17		Output terminal status of the second fault		Output terminal status of the second last fault, the order is: <table border="1" style="margin-left: auto; margin-right: auto;"> <tr> <td>BIT4</td><td>BIT3</td><td>BIT2</td><td>BIT1</td><td>BIT0</td> </tr> <tr> <td>REL2</td><td>SPA</td><td>Reserve</td><td>REL1</td><td>SPB</td> </tr> </table> When the output terminal is ON, the corresponding binary bits is 1, OFF is 0, all DI status is converted to the decimal number for display.	BIT4	BIT3	BIT2	BIT1	BIT0	REL2	SPA	Reserve	REL1	SPB	●										
BIT4	BIT3	BIT2	BIT1	BIT0																					
REL2	SPA	Reserve	REL1	SPB																					
y1.18		Reserved																							
y1.19		Power-on time of the second fault		Current power-on time at the second last fault	●																				



y1.20	Running time of the second fault	Current running time at the second last fault	●																				
y1.11 to y1.12	Reserve																						
y1.23	Frequency of the first fault	Frequency of the oldest fault	●																				
y1.24	Current of the first fault	Current of the oldest fault	●																				
y1.25	Bus voltage of the first fault	Bus voltage of the oldest fault	●																				
y1.26	Input terminal status of the first fault	<p>Input terminal status of the oldest fault, the order is:</p> <table border="1" style="margin-left: auto; margin-right: auto;"> <tr> <td>BIT9</td><td>BIT8</td><td>BIT7</td><td>BIT6</td><td>BIT5</td><td>BIT4</td><td>BIT3</td><td>BIT2</td><td>BIT1</td><td>BIT0</td> </tr> <tr> <td>DI0</td><td>DI9</td><td>DI8</td><td>DI7</td><td>DI6</td><td>DI5</td><td>DI4</td><td>DI3</td><td>DI2</td><td>DI1</td> </tr> </table> <p>When the input terminal is ON, the corresponding binary bits is 1, OFF is 0, all DI status is converted to the decimal number for display.</p>	BIT9	BIT8	BIT7	BIT6	BIT5	BIT4	BIT3	BIT2	BIT1	BIT0	DI0	DI9	DI8	DI7	DI6	DI5	DI4	DI3	DI2	DI1	●
BIT9	BIT8	BIT7	BIT6	BIT5	BIT4	BIT3	BIT2	BIT1	BIT0														
DI0	DI9	DI8	DI7	DI6	DI5	DI4	DI3	DI2	DI1														
y1.27	Output terminal status of the first fault	<p>Output terminal status of the oldest fault, the order is:</p> <table border="1" style="margin-left: auto; margin-right: auto;"> <tr> <td>BIT4</td><td>BIT3</td><td>BIT2</td><td>BIT1</td><td>BIT0</td> </tr> <tr> <td>REL2</td><td>SPA</td><td>Reserve</td><td>REL1</td><td>SPB</td> </tr> </table> <p>When the output terminal is ON, the corresponding binary bits is 1, OFF is 0, all DI status is converted to the decimal number for display.</p>	BIT4	BIT3	BIT2	BIT1	BIT0	REL2	SPA	Reserve	REL1	SPB	●										
BIT4	BIT3	BIT2	BIT1	BIT0																			
REL2	SPA	Reserve	REL1	SPB																			
y1.28	Reserved																						
y1.29	Power-on time of the first fault	Current power-on time at the oldest fault	●																				
y1.30	Running time of the first fault	Current running time at the oldest fault	●																				

# Chapter 6 Troubleshooting

## 6-1.Fault alarm and countermeasures

ST500 inverter system operation in the process of failure, the inverter will protect the motor immediately to stop the output, while the inverter fault relay contact action. Inverter panel will display the fault code, the fault code corresponding to the type of fault and common solutions refer to the following table. List for reference only, please do not repair, transformation, if you can not get rid of the trouble, please division or product agents to seek technical support.

No.	Fault ID	Failure type	Possible causes	Solutions
1	Err.01	Inverter unit protection	<ol style="list-style-type: none"> <li>1.the short circuit of inverter output happens</li> <li>2.the wiring for the motor and the inverter is too long</li> <li>3.module overheating</li> <li>4.the internal wiring of inverter is loose</li> <li>5.the main control panel is abnormal</li> <li>6.the drive panel is abnormal.</li> <li>7.the inverter module is abnormal</li> </ol>	<ol style="list-style-type: none"> <li>1.eliminate peripheral faults</li> <li>2.additionally install the reactor or the output filter</li> <li>3.check the air duct is blocked or not and the fan is working normally or not, and eliminate problems</li> <li>4.correctly plug all cables</li> <li>5.seek for technical support</li> </ol>
2	Err.02	Acceleration overcurrent	<ol style="list-style-type: none"> <li>1.the acceleration time is too short</li> <li>2.manual torque boost or V/F curve is not suitable</li> <li>3.the voltage is low</li> <li>4.the short-circuit or earthing of inverter output happens</li> <li>5.the control mode is vector and without identification of parameters</li> <li>6.the motor that is rotating is started unexpectedly.</li> <li>7.suddenly increase the load in the process of acceleration.</li> <li>8.the type selection of inverter is small</li> </ol>	<ol style="list-style-type: none"> <li>1.increase acceleration time</li> <li>2.adjust manual torque boost or V/F curve</li> <li>3.set the voltage to the normal range</li> <li>4.eliminate peripheral faults</li> <li>5.perform identification for the motor parameters</li> <li>6.select Speed Tracking Start or restart after stopping the motor.</li> <li>7.cancel the sudden load</li> <li>8.choose the inverter with large power level</li> </ol>
3	Err.03	Deceleration overcurrent	<ol style="list-style-type: none"> <li>1.the short-circuit or earthing of inverter output happens</li> <li>2.the control mode is vector and without identification of parameters</li> <li>3.the deceleration time is too short</li> <li>4.the voltage is low</li> <li>5.suddenly increase the load in the process of deceleration.</li> <li>6.didn't install braking unit and braking resistor</li> </ol>	<ol style="list-style-type: none"> <li>1.eliminate peripheral faults</li> <li>2.perform identification for the motor parameters</li> <li>3.increase the deceleration time</li> <li>4.set the voltage to the normal range</li> <li>5.cancel the sudden load</li> <li>6.install braking unit and brake resistor</li> </ol>
4	Err.04	Constant speed	<ol style="list-style-type: none"> <li>1.the short-circuit or earthing of inverter output happens</li> </ol>	<ol style="list-style-type: none"> <li>1.eliminate peripheral faults</li> <li>2.perform identification for the</li> </ol>

No.	Fault ID	Failure type	Possible causes	Solutions
		overcurrent	2.the control mode is vector and without identification of parameters 3.the voltage is low 4, whether suddenly increase the load when running 5.the type selection of inverter is small	motor parameters 3.set the voltage to the normal range 4.cancel the sudden load 5.choose the inverter with large power level
5	Err.05	Acceleration overvoltage	1.didn't install braking unit and braking resistor 2.the input voltage is high 3.there is external force to drag the motor to run when accelerating. 4.the acceleration time is too short	1.install braking unit and brake resistor 2.set the voltage to the normal range 3.cancel the external force or install braking resistor. 4.increase acceleration time
6	Err.06	Deceleration overvoltage	1.the input voltage is high 2.there is external force to drag the motor to run when decelerating. 3.the deceleration time is too short 4.didn't install braking unit and braking resistor	1.set the voltage to the normal range 2.cancel the external force or install braking resistor. 3.increase the deceleration time 4.install braking unit and brake resistor
7	Err.07	Constant speed overvoltage	1.there is external force to drag the motor to run when running 2.the input voltage is high	1.cancel the external force or install braking resistor. 2.set the voltage to the normal range
8	Err.08	Control power failure	1.The range of input voltage is not within the specification; 2, Frequently reported under pressure fault.	Adjust the voltage to the range of the requirements of specification
9	Err.09	Under voltage fault	1.the momentary power cut 2.the inverter's input voltage is not within the specification 3.the bus voltage is not normal 4.the rectifier bridge and buffer resistance are abnormal 5.the drive panel is abnormal. 6.the control panel is abnormal	1.reset fault 2.adjust the voltage to the normal range 3.seek for technical support
10	Err.10	Inverter overload	1.the type selection of inverter is small 2.whether the load is too large or the motor stall occurs	1.choose the inverter with large power level 2.reduce the load and check the motor and its mechanical conditions
11	Err.11	Motor Overload	1. power grid voltage is too low 2.whether the setting motor protection parameters (F8.03) is appropriate or not 3.whether the load is too large or the motor stall occurs	1.check the power grid voltage 2.correctly set this parameter. 3.reduce the load and check the motor and its mechanical conditions
12	Err.12	Input phase	1.the drive panel is abnormal.	1.replace the drive, the power

No.	Fault ID	Failure type	Possible causes	Solutions
		loss	2.the lightning protection plate is abnormal 3.the main control panel is abnormal 4.the three-phase input power is not normal	board or contactor 2.seek for technical support 3.check and eliminate the existing problems in the peripheral line
13	Err.13	Output phase loss	1.the lead wires from the inverter to the motor is not normal 2.the inverter's three phase output is unbalanced when the motor is running 3.the drive panel is abnormal. 4.the module is abnormal	1.eliminate peripheral faults 2.check the motor's three-phase winding is normal or not and eliminate faults 3.seek for technical support
14	Err.14	Module overheating	1.the air duct is blocked 2.the fan is damaged 3.the ambient temperature is too high 4.the module thermistor is damaged 5.the inverter module is damaged	1.clean up the air duct 2.replace the fan 3.decrease the ambient temperature 4.replace the thermistor 5.replace the inverter module
15	Err.15	External equipment fault	Input external fault signal through the multi-function terminal DI	Reset run
16	Err.16	Communication fault	1.the communication cable is not normal 2.the settings for communication expansion card F9.07 are incorrect 3.the settings for communication parameters F9 group are incorrect 4.the host computer is not working properly	1.check the communication cable 2.correctly set the communications expansion card type 3.correctly set the communication parameters 4.check the wiring of host computer
17	Err.17	Contacting fault	1.input phase loss 2.the drive plate and the contact are not normal	1.check and eliminate the existing problems in the peripheral line 2.replace the drive, the power board or contactor
18	Err.18	Current detection fault	1.check Hall device 2.the drive panel is abnormal.	1.replace the drive panel 2.replace hall device
19	Err.19	Motor parameter auto tuning fault	1.the motor parameters was not set according to the nameplate 2.the identification process of parameter is timeout	1.correctly set motor parameter according to the nameplate 2.check the lead wire from the inverter to the motor
20	Err.20	Disk code fault	1.the encoder is damaged 2.PG card is abnormal 3.the encoder model does not match 4.the encoder connection has	1.replace the encoder 2.replace the PG card 3.correctly set the encoder model according to the Actual conditions

No.	Fault ID	Failure type	Possible causes	Solutions
			error	4.eliminate the line fault
21	Err.21	EEPROM read and write fault	EEPROM chip is damaged	Replace the main control panel
22	Err.22	Inverter hardware fault	1. overvoltage 2. overcurrent	1.eliminate overvoltage fault 2.eliminate overcurrent fault
23	Err.23	Short-circuit to ground fault	Motor short to ground	Replace the cable or motor
26	Err.26	Cumulative running time arrival fault	Cumulative running time arrival fault	Clear history information by using initialization function parameters
27	Err.27	Custom fault 1	Input custom fault 1 signal through the multi-function terminal DI	Reset run
28	Err.28	Custom fault 2	Input custom fault 2 signal through the multi-function terminal DI	Reset run
29	Err.29	Total power-on time arrival fault	Total power-on time reaches the set value	Clear history information by using initialization function parameters
30	Err.30	Load drop fault	The inverter running current is less than F8.31	Confirm whether the load is removed or not or the settings for parameter(F8.31, F8.32) accord with the Actual operating conditions
31	Err.31	PID feedback loss when running fault	PID feedback is less than the set value of E2.11	Check PID feedback signal or set E2.11 to an appropriate value
40	Err.40	Quick current limiting fault	1. whether the load is too large or the motor stall occurs 2. the type selection of inverter is small	1. reduce the load and check the motor and its mechanical conditions 2. choose an inverter with larger power level
41	Err.41	Switch motor when running fault	Change current motor through the terminal when the inverter is running	Switch motor after the inverter stops
42	Err.42	Too large speed deviation fault	1. the setting for Too Large Speed Deviation parameters(F8.15, F8.16) is unreasonable. 2. the setting for encoder parameters is incorrect 3. the parameter was not identified	1. reasonably set the detection parameters 2. correctly set encoder parameters 3. perform identification for the motor parameters
43	Err.43	Motor over speed fault	1. the parameter was not identified 2. the setting for encoder parameters is incorrect 3. the setting for motor overspeed detection parameter(F8.13, F8.14) is	1.perform identification for the motor parameters 2.correctly set encoder parameters 3.reasonably set the detection parameters

No.	Fault ID	Failure type	Possible causes	Solutions
			unreasonable.	
45	Err.45	Motor overtemperature fault	1. the wiring of temperature sensor is loose 2. the motor temperature is too high	1. detect the wiring of temperature sensor wiring and eliminate fault. 2. decrease carrier frequency or take other cooling measures to cool motor
51	Err.51	Initial position error	the deviation between the motor parameters and the actual parameters is too large	reconfirm the correct motor parameters, focus on whether the rated current is set to too small.
-	COF	Communication failure	1. Keyboard interface control board interface; 2. Keyboard or crystal connector; 3. Control board or keyboard hardware damage; 4. Keyboard line is too long, causing the interference.	1. Detection of keyboard interface, control board interface is abnormal. 2. Detect keyboard, crystal joints are abnormal. 3. Replace control board or keyboard. 4. Consult factory, seek help.

## 6-2.EMC (Electromagnetic Compatibility)

### 6-2-1.Definition

Electromagnetic compatibility refers to the ability that the electric equipment runs in an electromagnetic interference environment and implements its function stably without interferences on the electromagnetic environment.

### 6-2-2.EMC standard

In accordance with the requirements of the Chinese national standard GB/T12668.3, the inverter must comply with the requirements of electromagnetic interference and anti- electromagnetic interference.

Our existing products adopt the latest international standards: IEC/EN61800-3: 2004 (Adjustable speed electrical Power drive systems Part 3: EMC requirements and specific test methods), which is equivalent to the Chinese national standards GB/T12668.3. EC/EN61800-3 assesses the inverter in terms of electromagnetic interference and anti-electronic interference. Electromagnetic interference mainly tests the radiation interference, conduction interference and harmonics interference on the inverter (necessary for civil inverter).

Anti-electromagnetic interference mainly tests the conduction immunity, radiation immunity, surge immunity, EFTB(Electrical Fast Transient Burs) immunity, ESD immunity and power low frequency end immunity (the specific test items includes: 1. Immunity tests of input voltage sag, interrupt and change; 2.commutation notch immunity; 3. harmonic input immunity ; 4. input frequency change; 5. input voltage unbalance; 6. input voltage fluctuation). The tests shall be conducted strictly in accordance with the above requirements of IEC/EN61800-3, and our products are installed and used according to the guideline of the Section 7.3 and can provide good electromagnetic compatibility in general industry environment.

## 6-3.EMC directive

### 6-3-1.Harmonic effect

The higher harmonics of power supply may damage the inverter. Thus, at some places where the quality of power system is relatively poor, it is recommended to install AC input reactor.

### 6-3-2.Electromagnetic interference and installation precautions

There are two kinds of electromagnetic interference, one is the interference from electromagnetic

Chapter 6

noise in the surrounding environment to the inverter, and the other is the interference from the inverter to the surrounding equipment.

Installation Precautions:

- 1) The earth wires of the Inverter and other electric products shall be well grounded;
- 2) The power cables of the inverter power input and output and the cable of weak current signal (e.g. control line) shall not be arranged in parallel but in vertical if possible.
- 3) It is recommended that the output power cables of the inverter shall use shield cables or steel pipe shielded cables and that the shielding layer shall be grounded reliably, the lead cables of the equipment suffering interferences shall use twisted-pair shielded control cables, and the shielding layer shall be grounded reliably.
- 4) When the length of motor cable is longer than 50 meters, it needs to install output filter or reactor.

### 6-3-3. Remedies for the interference from the surrounding electromagnetic equipment to the inverter

Generally the electromagnetic interference on the inverter is generated by plenty of relays, contactors and electromagnetic brakes installed near the inverter. When the inverter has error action due to the interference, the following measures is recommended:

- 1) Install surge suppressor on the devices generating interference;
- 2) Install filter at the input end of the inverter, please refer to Section 6.3.6 for the specific operations.
- 3) The lead cables of the control signal cable of the inverter and the detection line shall use the shielded cable and the shielding layer shall be grounded reliably.

### 6-3-4. Remedies for the interference from the inverter to the surrounding electromagnetic equipment

These noise interference are classified into two types: one is the radiation interference of the inverter, and the other is the conduction interference of the inverter. These two types of interference cause that the surrounding electric equipment suffer from the affect of electromagnetic or electrostatic induction. Further, the surrounding equipment produces error action. For different interference, please refer to the following remedies:

- 1) Generally the meters, receivers and sensors for measuring and testing have more weak signals. If they are placed nearby the inverter or together with the inverter in the same control cabinet, they easily suffer from interference and thus generate error actions. It is recommended to handle with the following methods: away from the interference source as far as possible; do not arrange the signal cables with the power cables in parallel and never bind them together; both the signal cables and power cables shall use shielded cables and shall be well grounded; install ferrite magnetic ring (with suppressing frequency of 30 to 1,000MHz) at the output side of the inverter and wind it 2 to 3 turns; install EMC output filter in more severe conditions.
- 2) When the interfered equipment and the inverter use the same power supply, it may cause conduction interference. If the above methods cannot remove the interference, it shall install EMC filter between the inverter and the power supply (refer to Section 6.3.6 for the selection operation);
- 3) The surrounding equipment shall be separately grounded, which can avoid the interference caused by the leakage current of the inverter's grounding wire when common grounding mode is adopted.

### 6-3-5. Remedies for leakage current

There are two forms of leakage current when using the inverter. One is leakage current to the earth, and the other is leakage current between the cables.

1) Factors of affecting leakage current to the earth and its solutions:

There are the distributed capacitance between the lead cables and the earth. The larger the distributed capacitance, the larger the leakage current; the distributed capacitance can be reduced by effectively reducing the distance between the inverter and the motor. The higher the carrier frequency, the larger the leakage current. The leakage current can be reduced by reducing the carrier frequency.

However, the carrier frequency reduced may result in the increase of motor noise. Please note that additional installation of reactor is also an effective method to solve leakage current problem.

The leakage current may increase with the increase of circuit current. Therefore, when the motor power is higher, the corresponding leakage current will be higher too.

2) Factors of producing leakage current between the cables and its solutions:

There is the distributed capacitance between the output cables of the inverter. If the current passing lines have higher harmonics, it may cause resonance and thus result in leakage current. If the thermal relay is used, it may generate error action.

The solution is to reduce the carrier frequency or install output reactor. It is recommended that the thermal relay shall not be installed in the front of the motor when using the inverter, and that electronic over current protection function of the inverter shall be used instead.

### **6-3-6. Precautions on installing EMC input filter at the input end of power supply**

1) Note: when using the inverter, please follow its rated values strictly. Since the filter belongs to Classification I electric appliances, the metal enclosure of the filter and the metal ground of the installing cabinet shall be well earthed in a large area, and have good conduction continuity, otherwise there may be danger of electric shock and the EMC effect may be greatly affected. Through the EMC test, it is found that the filter ground end and the PE end of the inverter must be connected to the same public earth end, otherwise the EMC effect may be greatly affected.

2) The filter shall be installed at a place close to the input end of the power supply as much as possible.



# Chapter 7 Dimension

## 7-1.Dimension

### 7-1-1.Product outside drawing, installation size

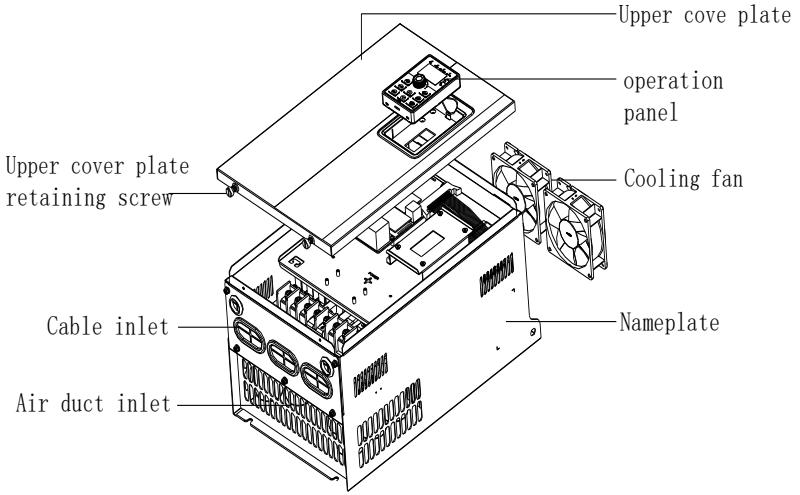
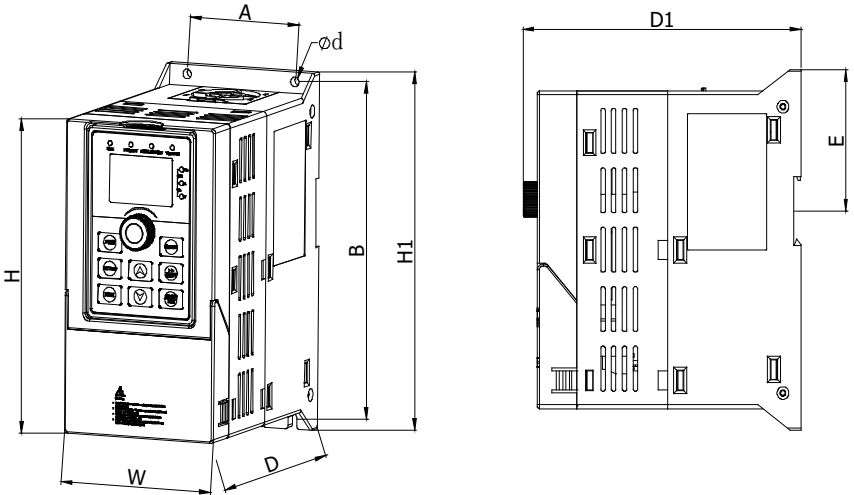


Figure 7-1: Product outside drawing (15kW G3), installation dimension

### 7-1-2.ST500 series



NOTE:0.75~4kW G3 support Rail installation

Figure 7-2:0.75~4kW G3Dimension

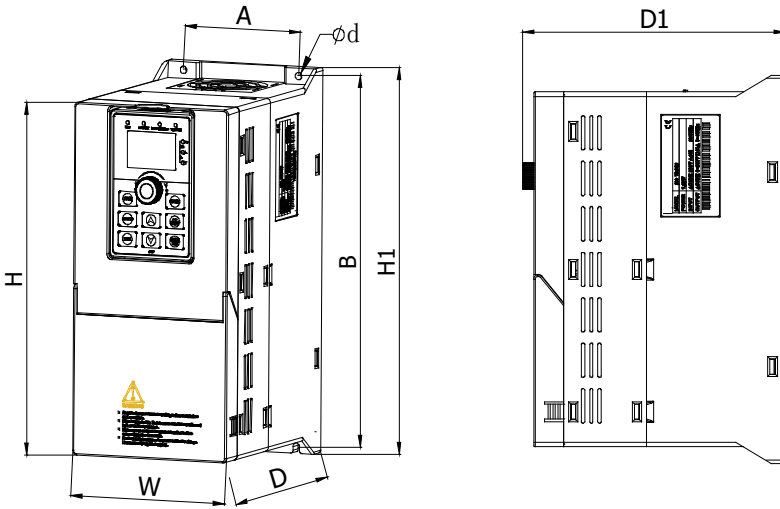


Figure 7-3:5.5~11kW G3 Dimension

Moulded shell series:

Power rating	Output power (kW)	Dimension (mm)					Installation(mm)			Guide rail installation position E	Weight (kg)
		H	H1	W	D	D1	A	B	d		
ST500 0R4G1	0.4	163	185	90	146	154	65	174	5	72.5	1.6
ST500 0R4G2	0.4										
ST500 0R7G1	0.75										
ST500 0R7G2	0.75										
ST500 0R7G3	0.75										
ST500 0R7G4	0.75										
ST500 1R5G2	1.5										
ST500 1R5G3	1.5										
ST500 1R5G4	1.5										
ST500 2R2G3	2.2										
ST500 2R2G4	2.2	163	185	90	166	174	65	174	5	72.5	1.8
ST500 1R5G1	1.5										
ST500 2R2G1	2.2										
ST500 2R2G2	2.2										
ST500 004G3	4	238	260	120	182	190	90	250	5	/	2.7
ST500 004G4	4										
ST500 004G1	4										
ST500 004G2	4										
ST500 5R5G2	5.5										
ST500 5R5G3	5.5										
ST500 5R5G4	5.5										
ST500 7R5G3	7.5										
ST500 7R5G4	7.5										
ST500 011F3	11										
ST500 011F4	11										
ST500 011G3	11										
ST500 011G4	11										

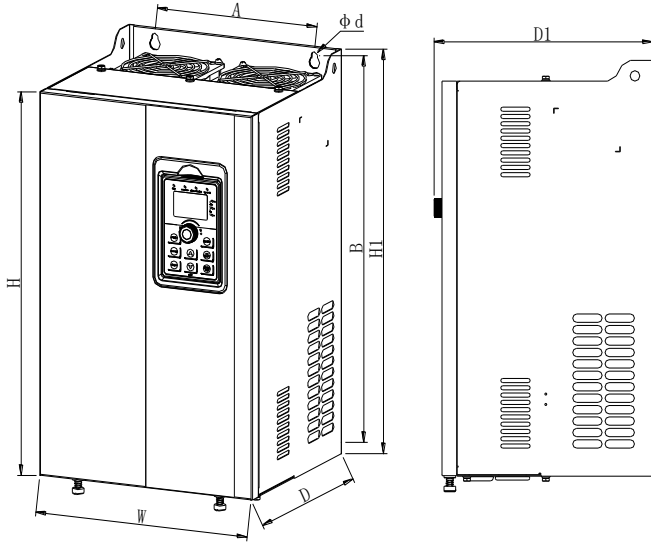


Figure 7-4: 15-200KW G3 dimension

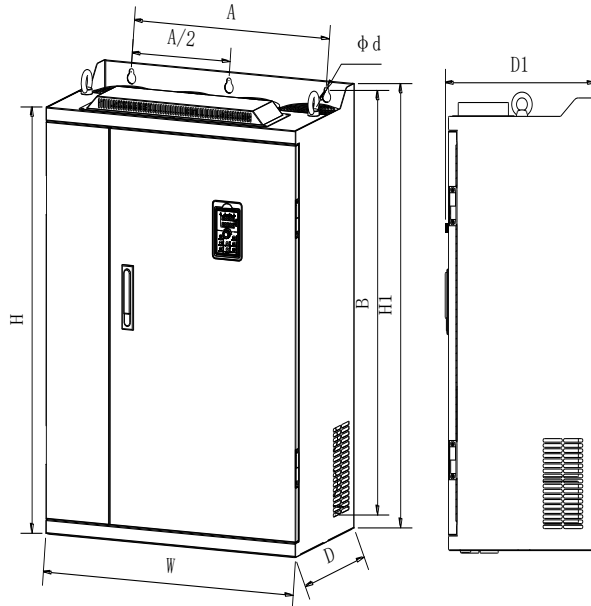


Figure 7-5: 250kW~400k G3W dimension

**Iron shell hanging series:**

Power rating	Output power (kW)	Dimension (mm)					Installation(mm)			Weight (kg)									
		H	H1	W	D	D1	A	B	d										
ST500 5R5G1	5.5	280	300	190	190	198	140	285	6	7.2									
ST500 7R5G2	7.5																		
ST500 015F3	15																		
ST500 015G3/018F3	15/18.5																		
ST500 015F4	15																		
ST500 015G4/018F4	15/18.5																		
ST500 011G2	11	330	350	210	190	198	150	335	6	9.5									
ST500 018G3/022F3	18.5/22																		
ST500 022G3/030F3	22/30																		
ST500 018G4/022F4	18.5/22																		
ST500 022G4/030F4	22/30																		
ST500 015G2	15																		
ST500 018G2	18.5	380	400	240	215	223	180	385	7	13									
ST500 030G3/037F3	30/37																		
ST500 037G3/045F3	37/45																		
ST500 045G3N	45																		
ST500 030G4/037F4	30/37																		
ST500 037G4/045F4	37/45																		
ST500 045G4N	45																		
ST500 022G2	22																		
ST500 030G2	30																		
ST500 037G2	37																		
ST500 045G3/055F3	45/55	500	520	300	275	283	220	500	10	42									
ST500 055G3	55																		
ST500 075F3	75																		
ST500 075G3	75																		
ST500 045G4/055F4	45/55																		
ST500 055G4	55																		
ST500 075F4	75																		
ST500 075G4	75																		
ST500 011G6/015F6	11/15																		
ST500 015G6/018F6	15/18.5																		
ST500 018G6/022F6	18.5/22																		
ST500 022G6/030F6	22/30																		
ST500 030G6/037F6	30/37																		
ST500 037G6/045F6	37/45																		
ST500 045G6/055F6	45/55																		
ST500 045G2	45										550	575	355	320	328	250	555	10	58
ST500 055G2	55																		
ST500 093F3	93																		
ST500 093G3/110F3	93/110																		
ST500 110G3/132F3	110/132																		
ST500 093F4	93																		
ST500 093G4/110F4	93/110																		
ST500 110G4/132F4	110/132																		
ST500 055G6/075F6	55/75																		
ST500 075G6/093F6	75/93																		
ST500 093G6/110F6	93/110																		
ST500 110G6/132F6	110/132																		

Power rating	Output power (kW)	Dimension (mm)					Installation(mm)			Weight (kg)
		H	H1	W	D	D1	A	B	d	
ST500 075G2	75	695	720	400	360	368	300	700	10	73
ST500 132G3/160F3	132/160									
ST500 132G4/160F4	132/160									
ST500 093G2	93	790	820	480	390	398	370	800	11	108
ST500 110G2	110									
ST500 160G3/187F3	160/187									
ST500 187G3/200F3	187/200									
ST500 200G3/220F3	200/220									
ST500 220G3	220									
ST500 160G4/187F4	160/187									
ST500 187G4/200F4	187/200									
ST500 200G4/220F4	200/220									
ST500 220G4	220									
ST500 132G6/160F6	132/160									
ST500 160G6/187F6	160/187									
ST500 250F3	250	940	980	560	410	418	415	945	13	153
ST500 250G3/280F3	250/280									
ST500 315F3	315									
ST500 250F4	250									
ST500 250G4/280F4	250/280									
ST500 280G4	280									
ST500 315F3	315	940	980	705	410	418	550	945	13	190
ST500 315G3/355F3	315/355									
ST500 355G3/400F3	355/400									
ST500 400G3	400									
ST500 315F4	315									
ST500 315G4/355F4	315/355									
ST500 355G4/400F4	355/400									
ST500 400G4	400									
ST500 187G6/200F6	187/200									
ST500 200G6/220F6	200/220									
ST500 220G6/250F6	220/250									
ST500 250G6/280F6	250/280									
ST500 280G6/315F6	280/315									
ST500 315G6/355F6	315/355									
ST500 355G6/400F6	355/400									
ST500 400G6/450F6	400/450									

7-1-3.ST500 series (Base with DC reactor)

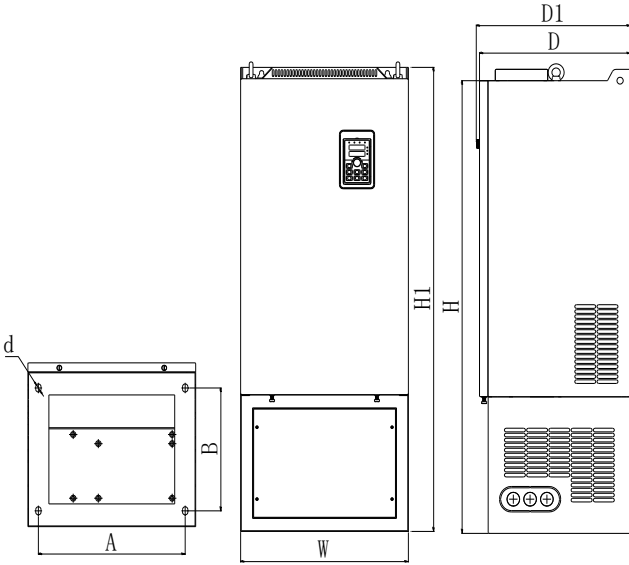


Figure 7-6: 132kW G3 (Base with DC reactor) Outline dimension

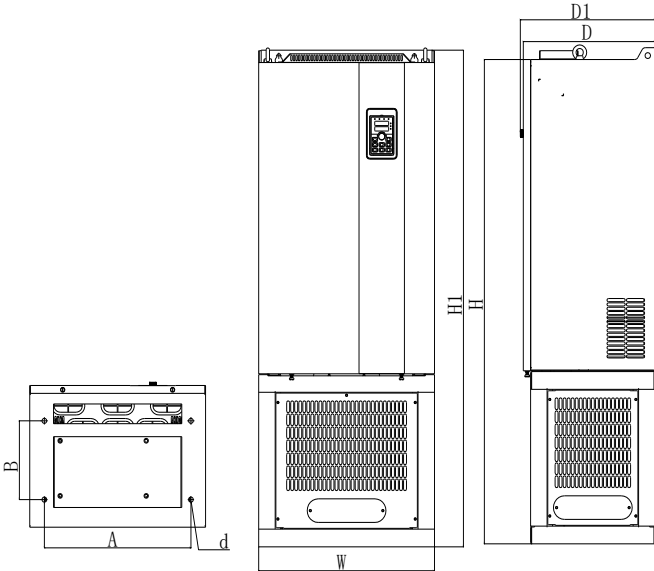


Figure 7-7: 160kW~220kW G3 (Base with DC reactor) Outline dimension

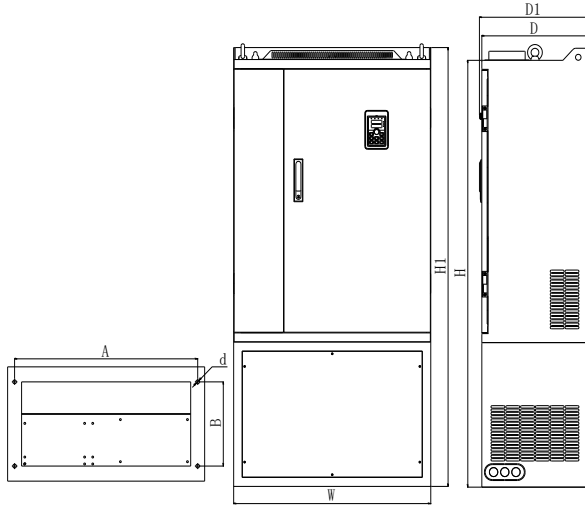


Figure 7-8: 250kW~400kW G3 (Base with DC reactor) Outline dimension

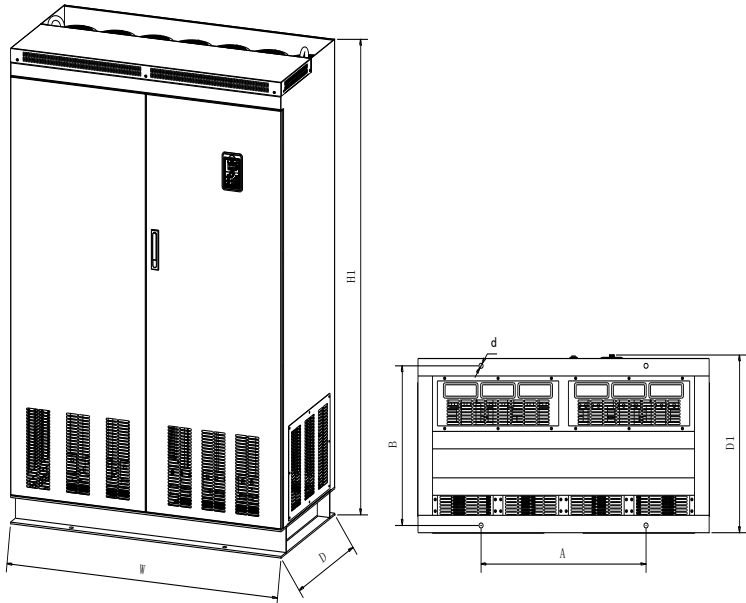


Figure 7-9: 450kW~630kW G3 (DC reactor) dimension

**Iron shell standing installation series**

Power rating	Output power (kW)	Dimension (mm)				Installation (mm)			Weight (kg)	
		H	H1	W	D	D1	A	B		d
ST500 132G3R/160F3R	132/160	995	1020	400	360	368	350	270	13*18	115
ST500 132G4R/160F4R										

Power rating	Output power (kW)	Dimension (mm)					Installation(mm)			Weight (kg)
		H	H1	W	D	D1	A	B	d	
ST500 160G3R/187F3R	160/187	1230	1260	480	390	398	400	200	13	153
ST500 187G3R/200F3R	187/200									
ST500 200G3R/220F3R	200/220									
ST500 220G3R	220									
ST500 160G4R/187F4R	160/187									
ST500 187G4R/200F4R	187/200									
ST500 200G4R/220F4R	200/220									
ST500 220G4R	220	1419	1460	560	410	418	500	310	13	205
ST500 250F3R	250									
ST500 250G3R/280F3R	250/280									
ST500 280G3R	280									
ST500 250F4R	250									
ST500 250G4R/280F4R	250/280									
ST500 280G4R	280									
ST500 315F3R	315	1419	1460	705	410	418	620	240	13	249.4
ST500 315G3R/355F3R	315/355									
ST500 355G3R/400F3R	355/400									
ST500 400G3R	400									
ST500 315F4R	315									
ST500 315G4R/355F4R	315/355									
ST500 355G4R/400F4R	355/400									
ST500 400G4R	400	/	-	1200	600	612	680	550	17	/
ST500 450F3R	450									
ST500 450G3R/500F3R	450/500									
ST500 500G3R/560F3R	500/560									
ST500 560G3R/630F3R	560/630									
ST500 630G3R/700F3R	630/700									

Note: With the letter "R" means with a DC reactor; product installation rings screw height dimensions: H1 + 15mm.

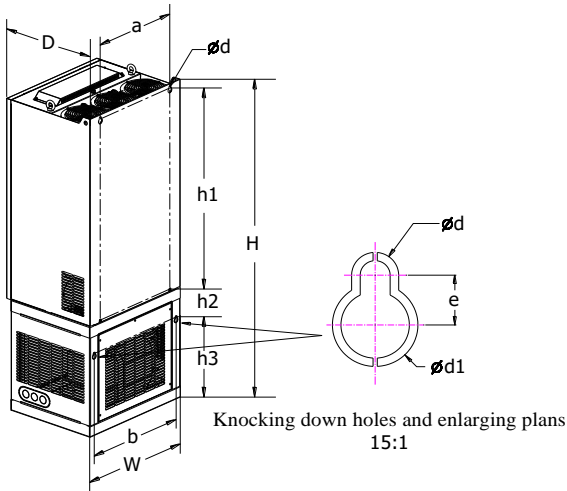


Figure 7-10:132~400kW G3 (With DC reactor and base) Wall hanging dimensions



## Wall hanging dimensions

Power rating	Dimension(mm)			Installation hole position (mm)							
	W	H	D	h1	h2	h3	a	b	d	d1	e
ST500 132G3R/160F3R	400	1020	360	702	89	218	300	370	10	18	11
ST500 132G4R/160F4R											
ST500 160G3R/187F3R	480	1260	390	801	119	325	370	435	11	20	12
ST500 187G3R/200F3R											
ST500 200G3R/220F3R											
ST500 220G3R											
ST500 160G4R/187F4R											
ST500 187G4R/200F4R											
ST500 200G4R/220F4R											
ST500 220G4R											
ST500 250F3R	560	1460	410	947	164	330	208 +208	530	13	24	15
ST500 250G3R/280F3R											
ST500 280G3R											
ST500 250F4R											
ST500 250G4R/280F4R											
ST500 280G4R											
ST500 315F3R	705	1460	410	947	94	400	275 +275	675	13	24	15
ST500 315G3R/355F3R											
ST500 355G3R/400F3R											
ST500 400G3R											
ST500 315F4R											
ST500 315G4R/355F4R											
ST500 355G4R/400F4R											
ST500 400G4R											

### 7-1-4. Keypad dimension drawing

ST500 Keyboard dimension:

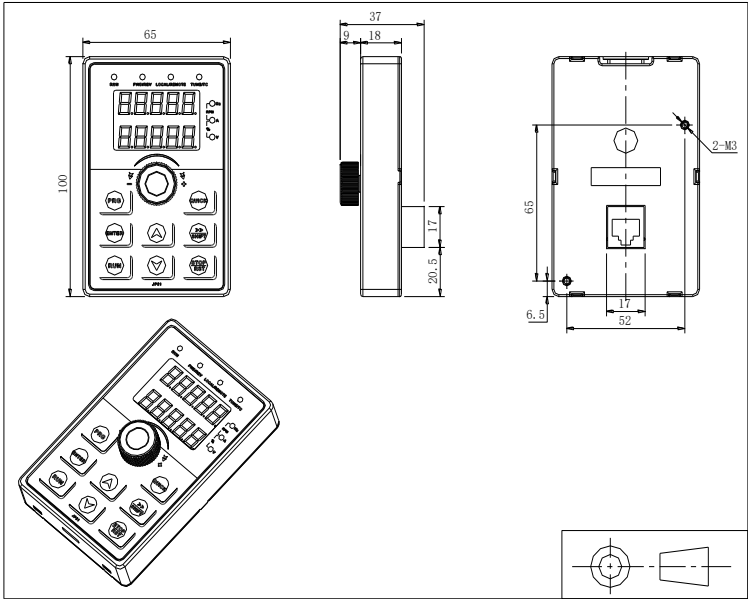


Figure 7-11:ST500 Keyboard dimension (mm)

ST500 Keyboard frame dimension

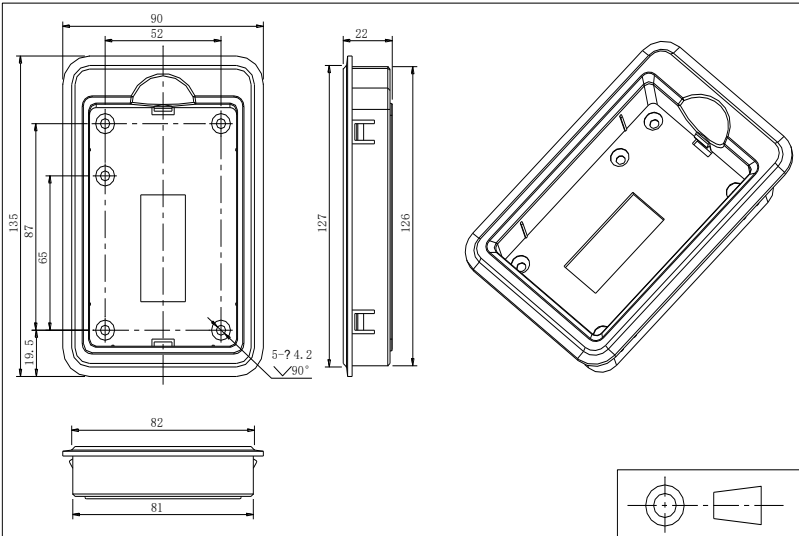


Figure 7-12:ST500 Keyboard dimension (mm)

ST500 Keyboard installation open inlet dimension

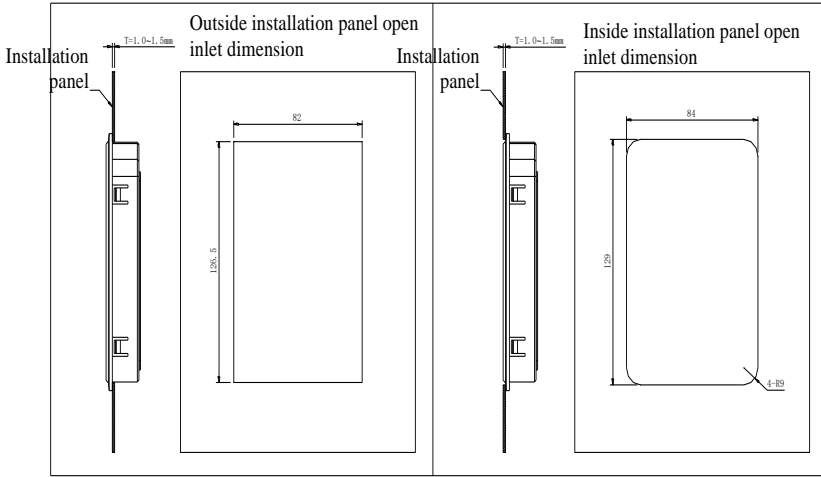


Figure 7-13:ST500 keyboard installation open inlet dimension(mm)

# Chapter 8 Maintenance and repair

## 8-1. Inspection and maintenance

During normal use of the inverter, in addition to routine inspections, the regular inspections are required (e.g. the overhaul or the specified interval, and the interval shall not exceed 6 months), please refer to the following table to implement the preventive measures.

Check Date		Check Points	Check Items	Check to be done	Method	Criterion
Routine	Regular					
√		Display	LED display	Whether display is abnormal or not	Visually check	As per use status
√	√	Cooling system	Fan	Whether abnormal noise or vibration exists or not	Visually and audibly check	No abnormal
√		Body	Surrounding conditions	Temperature, humidity, dust, harmful gas.	Visually check with smelling and feeling	As per Section 2-1
√		Input/output terminals	Voltage	Whether input/output voltage is abnormal or not	Test R, S, T and U, V, W terminals	As per standard specifications
		Main circuit	Overall	Whether these phenomenon of loose fastenings, overheat, discharging, much dust, or blocked air duct exist or not	Visually check, tighten and clean	No abnormal
	√		Electrolytic capacitance	Whether appearance is abnormal or not	Visually check	No abnormal
			Wires and conducting bar	Whether they are loose or not	Visually check	No abnormal
			Terminals	If screws or bolts are loose or not	Tighten	No abnormal

"√" means routine or regular check to be needed

Do not disassemble or shake the device gratuitously during check, and never unplug the connectors, otherwise the system will not run or will enter into fault state and lead to component failure or even damage to the main switching device such as IGBT module.

The different instruments may come to different measurement results when measuring. It is recommended that the pointer voltmeter shall be used for measuring input voltage, the rectifier voltmeter for output voltage, the clamp-on ammeter for input current and output current, and the electric wattmeter for power.

## 8-2. Parts for regular replacement

To ensure the reliable operation of inverter, in addition to regular care and maintenance, some internal mechanical wear parts(including cooling fan, filtering capacitor of main circuit for energy storage and exchange, and printed circuit board) shall be regularly replaced. Use and replacement for such parts shall follow the provisions of below table, also depend on the specific application environment, load and current status of inverter.

Name of Parts	Standard life time
Cooling fan	1 to 3 years
Filter capacitor	4 to 5 years
Printed circuit board(PCB)	5 to 8 years

### 8-3. Storage

The following actions must be taken if the inverter is not put into use immediately(temporary or long-term storage) after purchasing:

- ※ It should be store at a well-ventilated site without damp, dust or metal dust, and the ambient temperature complies with the range stipulated by standard specification
- ※ Voltage withstand test can not be arbitrarily implemented, it will reduce the life of inverter. Insulation test can be made with the 500-volt megger before using, the insulation resistance shall not be less than 4MΩ.

## 8-4. Capacitor

### 8-4-1. Capacitor rebuild

If the frequency inverter hasn't been used for a long time, before using it please rebuild the DC bus capacitor according to the instruction. The storage time is counted from delivery.

Time	Operation instruction
Less than 1 year	No need to recharge
Between 1~2 years	Before the first time to use, the frequency inverter must be recharged for one hour
Between 2~3years	Use adjustable power to charge the frequency inverter: --25% rated power 30 minutes, -- 50% rated power 30minutes, -- 75% rated power 30minutes, --Last 100% rated power 30minutes,
More than 3 years	Use adjustable power to charge the frequency inverter: --25% rated power 2hours, --50% rated power 2 hours, -- 75% rated power 2hours, -- Last 100% rated power 2hours.

Instruction of using adjustable power to charge the frequency inverter:

The adjustable power is decided by the frequency inverter input power, for the single phase/3 phase 220v frequency inverter, we use 220v AC/2A Regulator. Both single phase and three phase frequency inverter can be charged by single phase Power Surge (L+ connects R, N connects T) Because it is the same rectifier, all the DC bus capacitors will be charged at the same time.

You should make sure the voltage (380v) of high voltage frequency inverter, because when the capacitor is being charged it almost doesn't need any current, so small capacitor is enough (2A)

The instruction of using resistor (incandescent light bulb) to charge frequency inverters:

When charging the DC bus capacitor of drive system by connecting power directly, then the time should not be less than 60 minutes. The operation should be carried on under the condition of normal temperature and without load, and moreover, should be added resistor in the power supply cycle.

380V drive system: use 1K/100W resistor. When the power is less than 380v, 100w incandescent lights is also suitable. When using incandescent lights, the lights will extinct or become very weak.

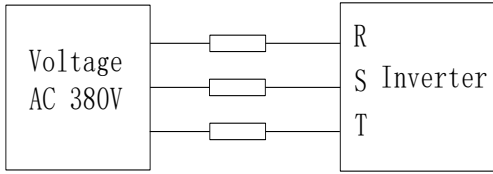


Figure 8-1:380V Drive equipment charging circuit example

### 8-5.Measuring and readings

- ※ If a general instrument is used to measure current, imbalance will exist for the current at the input terminal. Generally, the deviation is not more than 10%, that is normal. If the deviation exceeds 30%, please inform the original manufacturer to replace rectifier bridge, or check if the deviation of three-phase input voltage is above 5V or not.
- ※ If a general multi-meter is used to measure three-phase output voltage, the reading is not accurate due to the interference of carrier frequency and it is only for reference.

# Chapter 9 Options

User can additionally install peripheral devices based on the different application conditions and requirements for this series of product, and its wiring diagram is as follows:

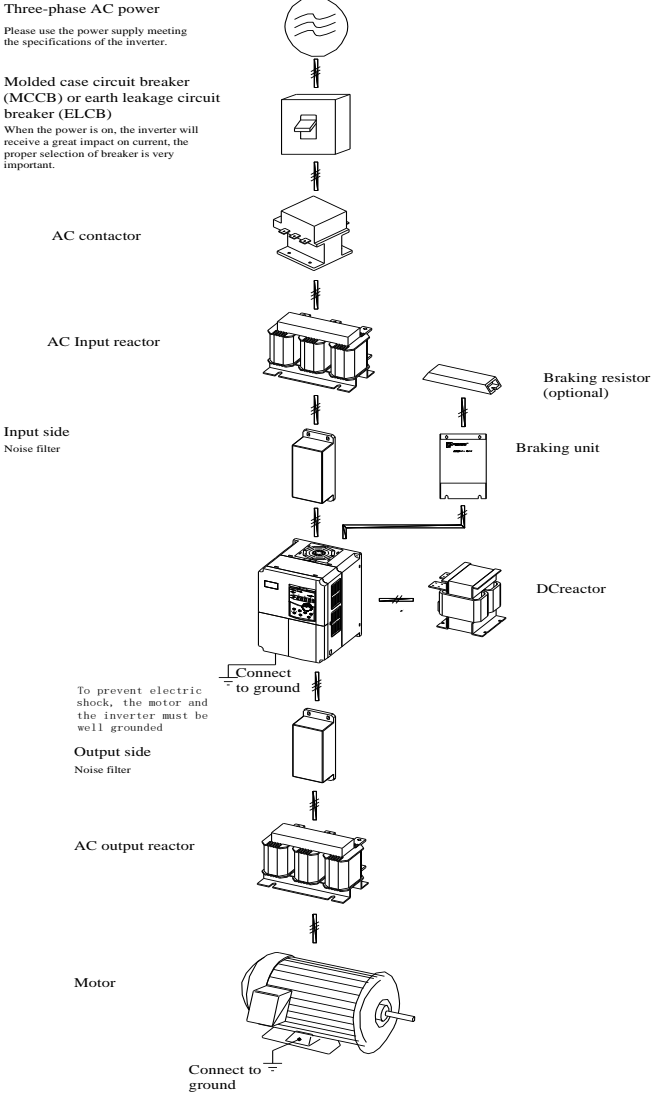


Figure 9-1:Wiring of optional accessories.

## 9-1.Expansion cards

If the extended function (RS485 card, PG card, Canbus card, etc.) for other functional modules is needed, please specify the functional module card you want when ordering.

## 9-2.Brake unit and brake resistor

ST500 converter 220V 11kW and below, 380V 22kW and below have a built-in brake unit. Please refer to the user purchase table to match the braking resistance can; 220V 15kW and above as well as 380V 30kW and above models need to use an external brake unit, if there is a need to brake, please use the Sourcetriconic brake unit and select a braking resistor resistance value and power according to the specific situation.

### 1. 220V 11kW below models (built-in) braking resistor selection as below:

Frequency inverter voltage	Capability (kW)	Resistance of braking resistor( $\Omega$ )	Capability of braking resistor(kW)
220V	5.5 kW	30 $\Omega$	500W
	7.5 kW	20 $\Omega$	780W
	11 kW	13.6 $\Omega$	2000W

### 2. 380V 22kW below models (built-in) braking resistor selection as below:

Frequency inverter voltage	Capability (kW)	Resistance of braking resistor( $\Omega$ )	Capability of braking resistor(kW)
380V	7.5 kW	75 $\Omega$	780W
	11 kW	50 $\Omega$	1000W
	15 kW	40 $\Omega$	1500W
	18.5 kW	32 $\Omega$	1800W
	22 kW	25 $\Omega$	2100W

### 3.380V 30kW and above models external braking unit and braking resistor selection:

Inverter power(kW)	Braking unit		Braking resistor(braking torque 150%)	
	model	Quantity(pcs)	model	Quantity(pcs)
30	PB6024	1	20 $\Omega$ /6000W	1
37		1	16 $\Omega$ /9600W	1
45		1	13.6 $\Omega$ /9600W	1
55		1	10 $\Omega$ /12000W	1
75		1	6.8 $\Omega$ /12000W	1
93	PB6034	1	6.8 $\Omega$ /12000W	1
110		1	6.8 $\Omega$ /12000W	1
132	PB6034	2	6.8 $\Omega$ /12000W	2
160		2	6.8 $\Omega$ /12000W	2
187	PB6034	3	6.8 $\Omega$ /12000W	3
200		3	6.8 $\Omega$ /12000W	3



## 9-3. Cable

### 1. Power cables

The dimension of input power cable and motor cable should meet the local provision:

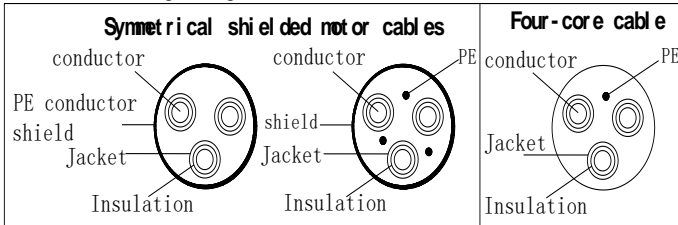
Input power cable and motor cable should bear the related load current.

The maximum rated temperature margin conditions of the motor cable should not be sustained below 70 degrees.

Conductivity of the PE conductor and phase conductor capacity are the same (same cross-sectional area),

About EMC requirements, see "EMC Guidance Content"

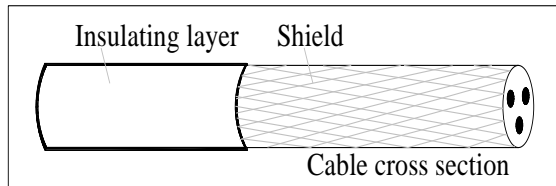
To meet the CE EMC requirements, a symmetrical shielded motor cable must be used (see figure below). For input cables can use four-core cable, but still recommended to use shielded symmetrical cable. Compared to a four-core cable, shielded symmetrical cables can not only reduce the loss and cost of the current flowing through the motor cable, but also can reduce the electromagnetic radiation.



Note: If conductivity of the cable shield can not meet the requirements, you must use a separate PE conductor.

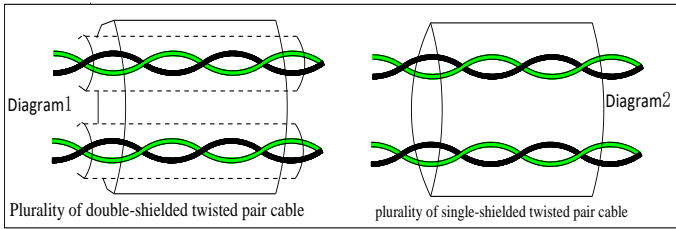
To play a protective role of conductor, when the shield wire and phase conductors using the same material, the cross-sectional area of the shield wire and phase conductors cross-sectional area must be the same, aims to reduce grounding resistance, impedance continuity better.

To effectively suppress RFI transmission and conduction, the shield conductivity must be at least 1/10 of the phase conductor conductivity. For copper or aluminum shield, this requirement is very easy to meet. Minimum requirements for the drive motor cable as shown below. Cable comprising a layer of copper spiral. Shield tight as possible, that the more tightly the more we can effectively suppress radiated electromagnetic interference.



### 2. Control Cable

All analog control cables and cables for the frequency input must be shielded. Analog signal cable double-shielded twisted pair cable as shown in Figure 1. Each signal uses one pair individually shielded twisted pair cable pair. Do not use the different analog signal with a ground wire.



For low-voltage digital signals, double-shielded cable is the best choice, but can also be a single-shielded or unshielded twisted pair, as shown in Figure 2, however, the frequency of the signal, it can only use a shielded cable.

Relay cable need to use cables with metal braid shield.

Need to use a network cable to connect the keyboard, for electromagnetic environment is more complex place, it is recommended to use shielded cable.

Note: analog and digital signals using different cables routed separately.

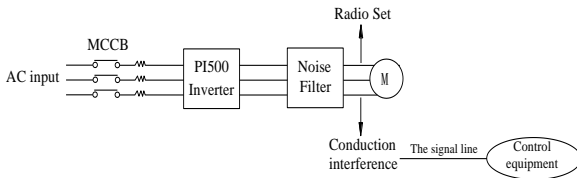
### 3. Interference Countering

Connect noise filter on the output side of inverter can reduce inductive and radio interference.

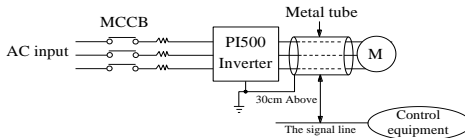
→ Inductive interference: The electromagnetic induction makes the signal line noise when upload signal, and then cause the control equipment malfunction.

→ Wireless interference: The high-frequency electromagnet wave emitted by the inverter and cables will interfere with the nearby wireless device and make it noise when receiving signal.

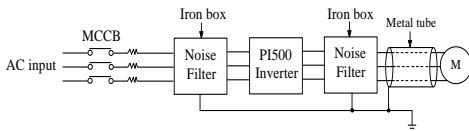
→ Installation of noise filter as below:



(1) Inductive interference countermeasure : in addition to the installation of noise filter , it can also import the output cables to grounded metal tube. The distance between the output cable and signal line is greater than 30cm , the influence of inductive interference is also significantly reduced. As shown below :



(2) Radio frequency (RF) interference countermeasure: the input cables, output cables and inverter itself can produce interference, to install noise filter on both sides of input and output and shield the inverter with metal box can reduce the radio frequency interference. As shown below :



## Chapter 10 Warranty

The product quality shall comply with the following provisions (overseas market):

### 1. Warranty terms

- 1-1. The product from the ex-factory date, the warranty period of 18 months (except non-standard products), It is based on factory records.
- 1-2. The product from the ex-factory date. if the product appear quality problem within the normal operating range. we provide free warranty under 18 months.
- 1-3. The product from the ex-factory date, enjoy lifelong compensable service.  
If there is a contract, we will according to the priority principle of the contract.

### 2. Exceptions clause

If belongs to the quality problems caused by following reasons products, we provide compensable service even though under the warranty. we will charge a maintenance fee.

- 2-1. The user is not in accordance with the "products manual" is used method of operation caused the failure.
- 2-2. Users without permission to alteration or repair caused by product failure.
- 2-3. Users beyond the standard specifications require the use of the inverter caused by product failure.
- 2-4. Users to buy and then fell loss or damage caused by improper handling.
- 2-5. Because the user use adverse environment (such as: Humid environment, Acid and alkaline corrosion gas and so on) lead to product failure.
- 2-6. Due to the fault cause of earthquake, fire, lightning, wind or water disaster, abnormal voltage, irresistible natural disasters.
- 2-7. Damaged during shipping, but users have not rejected damaged goods.

### 3. The following conditions, manufacturers have the right not to be warranty.

- 3-1. No product nameplate or product nameplate blurred beyond recognition.
- 3-2. Not according to the purchase contract agreement to pay the money.
- 3-3. For installation, wiring, operation, maintenance and other users can not describe the objective reality to the company's technical service center.

### 4. About the repair fee, according to our company latest price list as a standard.

5. When the products is broken, please complete the form and warranty card, shipping with the failure machine to our company.

### 6. Sourcetric GmbH reserve the right to explain the terms of the event.

# Appendix I RS485 Communication protocol

## I-1 Communication protocol

### I-1-1 Communication content

This serial communication protocol defines the transmission information and use format in the series communication Including: master polling( or broadcast) format; master encoding method, and contents including: function code of action, transferring data and error checking. The response of slave also adopts the same structure, and contents including: action confirmation, returning the data and error checking etc. If slave takes place the error while it is receiving information or cannot finish the action demanded by master, it will send one fault signal to master as a response.

#### Application Method

The inverter will be connected into a “Single-master Multi-slave” PC/PLC control network with RS485 bus.

#### Bus structure

##### (1)Transmission mode

Asynchronous series and half-duplex transmission mode. For master and slave, only one of them can send the data and the other only receives the data at the same time. In the series asynchronous communication, the data is sent out frame by frame in the form of message

##### (2)Topological structure

Single-master and multi-slave system. The setting range of slave address is 0 to 247, and 0 refers to broadcast communication address. The address of slave for network must be exclusive.

Figure I-3 is the single inverter and PC set up MODBUS field wiring diagram. Because computers are generally not with RS485 interface, the computer must be built-in RS232 interface or USB interface through the converter to convert to RS485. Connect the T + of converter with 485 + terminal of the inverter, Connect the T- of converter with 485- terminal of inverter. We recommended to use a shielded twisted pair. When adopting the RS232-485 converter,RS232 interface connected with RS232-RS485 RS232 interface, the cable should be as short as possible,15meters at the longest, we recommend to plug the RS232-RS485 with computer in pair directly. Similarly, when using the USB-RS485 converter, cable should be as short as possible.

When the line is connected, connect the right port of the host computer on the computer to (RS232-RS485 converter port, such as COM1), and set the basic parameters and the baud rate and data bit parity and so on consistent with the inverter.

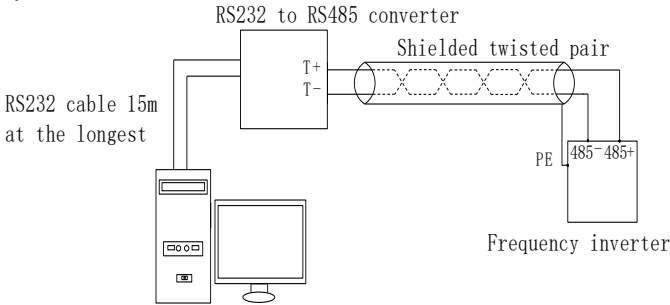


Figure I-3

#### Multiple Applications

In reality, multi-machine applications, there are two connections

The first inverter and the last inverter short the terminal resistor on the control board to be active. As shown in Figure I-4

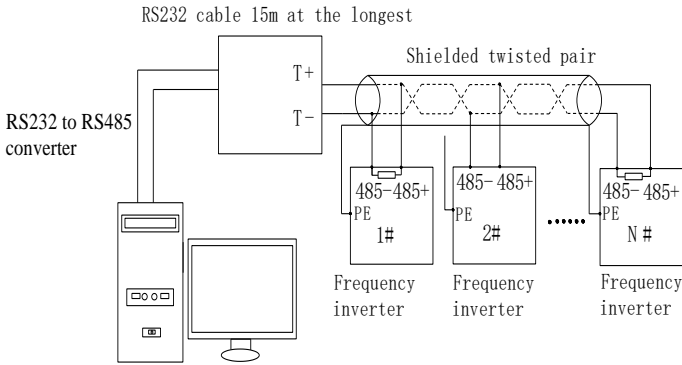


Figure I-4

The two longest distance inverter from the device shall short the terminal resistor on the control board to be active. As shown in Figure I-5:

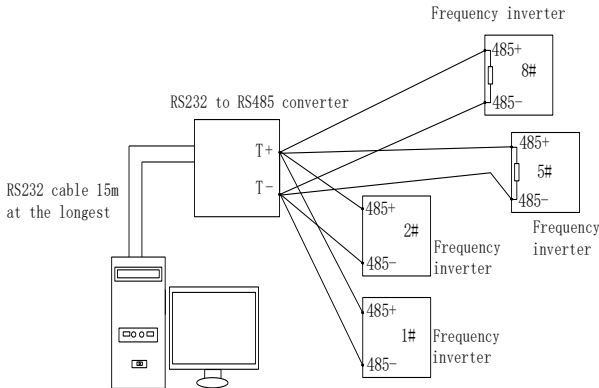


Figure I-5

Multi-machine connection should try to use a shielded cable. The basic parameters such as baud rate and data bit of all of the devices on RS485 line must be the same, address must be different.

NOTE: The terminal resistor of 485 decides valid or invalid through the control board (No. 485) jumper

### I-1-2 Protocol description

ST500 series inverter communication protocol is a asynchronous serial master-slave communication protocol, in the network, only one equipment(master) can build a protocol (known as "Inquiry/Command"). Other equipment(slave) only can response the "Inquiry/Command"of master by providing data or perform the corresponding action according to the "Inquiry/Command"of master. Here, the master refers to a Personnel Computer(PC), an industrial control device or a programmable logic controller (PLC), etc. and the slave refers to ST500 inverter. Master can communicate with individUal slave, also send broadcasting information to all the lower slaves. For the single "Inquiry/Command"of master, slave will return a signal(that is a response) to master; for the broadcasting information sent by master, slave does not need to feedback a response to master.

Communication data structure ST500 series inverter's Modbus protocol communication data format is as follows: in RTU mode, messages are sent at a silent interval of at least 3.5 characters. There are diverse character intervals under network baud rate, which is easiest implemented. The first field transmitted is the device address.

## Appendix I

The allowable characters for transmitting are hexadecimal 0 ... 9, A ... F. The networked devices continuously monitor network bus, including during the silent intervals. When the first field (the address field) is received, each device decodes it to find out if it is sent to their own. Following the last transmitted character, a silent interval of at least 3.5 characters marks the end of the message. A new message can begin after this silent interval.

The entire message frame must be transmitted as a continuous stream. If a silent interval of more than 1.5 characters occurs before completion of the frame, the receiving device will flush the incomplete message and assumes that the next byte will be the address field of a new message. Similarly, if a new message begins earlier than the interval of 3.5 characters following a previous message, the receiving device will consider it as a continuation of the previous message. This will result in an error, because the value in the final CRC field is not right.

RTUframe format :

Frame header START	Time interval of 3.5characters
Slave address ADR	Communication address: 1 to 247
Command code CMD	03: read slave parameters; 06: write slave parameters
Data content DATA(N-1)	Data content: address of function code parameter, numbers of function code parameter, value of function code parameter, etc.
Data content DATA(N-2)	
.....	
Data content DATA0	
CRC CHK high-order	Detection Value: CRC value.
CRC CHK low-order	
END	Time interval of 3.5characters

CMD (Command) and DATA (data word description)

Command code: 03H, reads N words (max.12 words), for example: for the inverter with slave address 01, its start address F0.02 continuously reads two values.

Master command information

ADR	01H
CMD	03H
Start address high-order	F0H
Start address low-order	02H
Number of registers high-order	00H
Number of registers low-order	02H
CRC CHK low-order	CRC CHK values are to be calculated
CRC CHK high-order	

Slave responding information

When F9.05 is set to 0:

ADR	01H
CMD	03H
Byte number high-order	00H
Byte number low-order	04H
Data F002H high-order	00H
Data F002H low-order	01H
Data F003H high-order	00H
Data F003H low-order	01H
CRC CHK low-order	CRC CHK values are to be calculated
CRC CHK high-order	

When F9.05is set to 1:

ADR	01H
CMD	03H
Byte number	04H

Data F002H high-order	00H
Data F002H low-order	01H
Data F003H high-order	00H
Data F003H low-order	01H
CRC CHK low-order	CRC CHK values are to be calculated
CRC CHK high-order	

Command Code: 06H, write a word. For example: Write 5000(1388H) into the address F013H of the inverter with slave address 02H.

#### Master command information

ADR	02H
CMD	06H
Data address high-order	F0H
Data address low-order	13H
Data content high-order	13H
Data content low-order	88H
CRC CHK low-order	CRC CHK values are to be calculated
CRC CHK high-order	

#### Slave responding information

ADR	02H
CMD	06H
Data address high-order	F0H
Data address low-order	13H
Data content high-order	13H
Data content low-order	88H
CRC CHK low-order	CRC CHK values are to be calculated
CRC CHK high-order	

## I-2 Check mode:

Check mode - CRC mode: CRC (Cyclical Redundancy Check) adopts RTU frame format, the message includes an error-checking field that is based on CRC method. The CRC field checks the whole content of message. The CRC field has two bytes containing a 16-bit binary value. The CRC value calculated by the transmitting device will be added into to the message. The receiving device recalculates the value of the received CRC, and compares the calculated value to the Actual value of the received CRC field, if the two values are not equal, then there is an error in the transmission.

The CRC firstly stores 0xFFFF and then calls for a process to deal with the successive eight-bit bytes in message and the value of the current register. Only the 8-bit data in each character is valid to the CRC, the start bit and stop bit, and parity bit are invalid.

During generation of the CRC, each eight-bit character is exclusive OR(XOR) with the register contents separately, the result moves to the direction of least significant bit(LSB), and the most significant bit(MSB) is filled with 0. LSB will be picked up for detection, if LSB is 1, the register will be XOR with the preset value separately, if LSB is 0, then no XOR takes place. The whole process is repeated eight times. After the last bit (eighth) is completed, the next eight-bit byte will be XOR with the register's current value separately again. The final value of the register is the CRC value that all the bytes of the message have been applied.

When the CRC is appended to the message, the low byte is appended firstly, followed by the high byte. CRC simple functions is as follows:

```

unsigned int crc_chk_value(unsigned char *data_value,unsigned char length)
{
    unsigned int crc_value=0xFFFF;
    int i;

```

```

while(length-->0)
{
    crc_value^=*data_value++;
    for(i=0;i<8;i++)
    {
        if(crc_value&0x0001)
        {
            crc_value=(crc_value>>1)^0xa001;
        }
        else
        {
            crc_value=crc_value>>1;
        }
    }
}
return(crc_value);
}

```

### I-3 Definition of communication parameter address

The section is about communication contents, it's used to control the operation, status and related parameter settings of the inverter. Read and write function-code parameters (Some functional code is not changed, only for the manufacturer use or monitoring): the rules of labeling function code parameters address:

The group number and label number of function code is used to indicate the parameter address:

High byte: F0 to FB (F group), A0 to AF (E group), B0 to BF(B group),C0 to C7(Y group),70 to 7F (d group) low byte: 00 to FF; writing to these addresses command 06H will be stored in EEPROM.

For example: address F3.12 indicates F30C; Note: L0 group parameters: neither read nor change; d group parameters: only read, not change.

parameter	Corresponding register address	parameter	Corresponding register address
d0.00~d0.41	7000~7029	FA.00~FA.07	FA00~FA07
F0.00~F0.27	F000~F029	Fb.00~Fb.09	Fb00~Fb09
F1.00~F1.46	F100~F12E	FC.00~FC.02	FC00~FC02
F2.00~F2.19	F200~F213	E0.00~E0.11	A000~A00b
F3.00~F3.15	F300~F30F	E1.00~E1.51	A100~A133
F4.00~F4.14	F400~F40E	E2.00~E2.32	A200~A220
F5.00~F5.15	F500~F50F	E3.00~E3.21	A300~A315
F6.00~F6.21	F600~F615	b0.00~b0.35	B000~B023
F7.00~F7.54	F700~F736	y0.00~y0.04	C000~C004
F8.00~F8.35	F800~F823	y1.00~y1.30	C100~C11e
F9.00~F9.07	F900~F907		

Some parameters can not be changed during operation, but some parameters can not be changed regardless of the inverter is in what state. When changing the function code parameters, please pay



attention to the scope, units, and relative instructions on the parameter.

Besides, if the EEPROM is frequently written, it will reduce the life of EEPROM, therefore under the communication mode if some function codes do not need to be stored permanently you can just change the RAM value.

If F group parameters need to achieve the function, change high order F of the function code address to 0. If E group parameters need to achieve the function, change high order F of the function code address to 4. The corresponding function code addresses are indicated below: high byte: 00 to 0F(F group), 40 to 4F (E group), 50 to 5F(B group), 60 to 67(Y group) low byte: 00 to FF; writing to these addresses will be stored in RAM only.

For example:

Function code F3.12 shall not be stored into EEPROM, address indicates as 030C; function code E3.05 shall not be stored into EEPROM, address indicates as 4305; the address indicates that only writing RAM can be done and reading can not be done, when reading, it is invalid address. For all parameters, you can also use the command code 07H with the normal address to achieve the function.

Stop/Run parameters section:

Parameter address	Parameter description	Parameter address	Parameter description
1000	*Communication set value(-10000 to 10000)(Decimal)	1011	PID feedback
1001	Running frequency	1012	PLC step
1002	Bus voltage	1013	High-speed pulse input frequency, unit: 0.01kHz
1003	Output voltage	1014	Feedback speed, unit: 0.1Hz
1004	Output current	1015	Remaining run time
1005	Output power	1016	AI1 voltage before correction
1006	Output torque	1017	AI2 voltage before correction
1007	Operating speed	1018	Reserve
1008	DI input flag	1019	Linear speed
1009	DO output flag	101A	Current power-on time
100A	AI1 voltage	101B	Current run time
100B	AI2 voltage	101C	High-speed pulse input frequency, unit: 1Hz
100C	AI3 voltage	101D	Communication set value
100D	Count value input	101E	Actual feedback speed
100E	Length value input	101F	Master frequency display
100F	Load speed	1020	Auxiliary frequency display
1010	PID setting		

Note:

There is two ways to modify the settings frequencies through communication mode:

The first: Set F0.03 (main frequency source setting) as 0/1 (keyboard set frequency), and then modify the settings frequency by modifying F0.01 (keyboard set frequency). Communication mapping address of F0.01 is 0xF001 (Only need to change the RAM communication mapping address to 0x0001).

The second :Set F0.03 (main frequency source setting) as 9 (Remote communication set), and then modify the settings frequency by modifying (Communication settings), the address of this parameter is 0x1000. The communication set value is the percentage of the relative value, 10000 corresponds to 100.00%, -10000 corresponds to -100.00%. For frequency dimension data, it is the percentage of the maximum frequency (F0.19); for torque dimension data, the percentage is of F5.08 (torque upper limit digital setting).

## Appendix I

Control command is input to the inverter: (write only)

Command word address	Command function
2000	0001: Forward run
	0002: Reverse run
	0003: Forward Jog
	0004: Reverse Jog
	0005: Free stop
	0006: Deceleration and stop
	0007: Fault reset

Inverter read status: (read-only)

Status word address	Status word function
3000	0001: Forward run
	0002: Reverse run
	0003: Stop

Parameter lock password verification: (If the return code is 8888H, it indicates that password verification is passed)

Password address	Enter password
C000	*****

Digital output terminal control: (write only)

Command address	Command content
2001	BIT0: SPA output control BIT1: RELAY2 output control BIT2: RELAY1 output control BIT3: Manufacturer reserves the undefined BIT4: SPB switching quantity output control

Analog output DA1 control: (write only)

Command address	Command content
2002	0 to 7FFF indicates 0% to 100%

Analog output DA2 control: (write only)

Command address	Command content
2003	0 to 7FFF indicates 0% to 100%

SPB high-speed pulse output control: (write only)

Command address	Command content
2004	0 to 7FFF indicates 0% to 100%

Inverter fault description:

Inverter fault address:	Inverter fault information:
8000	0000: No fault
	0001: Inverter unit protection
	0002: Acceleration overcurrent
	0003: Deceleration overcurrent
	0004: Constant speed overcurrent
	0005: Acceleration overvoltage
	0006: Deceleration overvoltage
	0007: Constant speed overvoltage
	0008: Control power failure
	0009: Undervoltage fault
	000A: Inverter overload
000B: Motor Overload	

	000C: Input phase loss 000D: Output phase loss 000E: Module overheating 000F: External fault 0010: Communication abnormal 0011: Contactor abnormal 0012: Current detection fault 0013: Motor parameter auto tuning fault 0014: Encoder/PG card abnormal 0015: Parameter read and write abnormal 0016: Inverter hardware fault 0017: Motor short to ground fault 0018: Reserved 0019: Reserved 001A: Running time arrival 001B: Custom fault 1 001C: Custom fault 2 001D: Power-on time arrival 001E: Load drop 001F: PID feedback loss when running 0028: Fast current limiting timeout 0029: Switch motor when running fault 002A: Too large speed deviation 002B: Motor overspeed 002D: Motor overtemperature 005A: Encoder lines setting error 005B: Missed encoder 005C: Initial position error 005E: Speed feedback error
--	--

Data on communication failure information description (fault code):

Communication fault address	Fault function description
8001	0000: No fault 0001: Password error 0002: Command code error 0003: CRC check error 0004: Invalid address 0005: Invalid parameters 0006: Invalid parameter changes 0007: System locked 0008: EEPROM in operation

F9Group - Communication parameter description

F9.00	Baud rate	Default	6005
	Setting range	Units digit: MODUBUS baud rate 0: 300BPS 1: 600BPS 2: 1200BPS 3: 2400BPS 4: 4800BPS 5: 9600BPS 6: 19200BPS 7: 38400BPS 8: 57600BPS 9: 115200BPS	

## Appendix I

This parameter is used to set the data transfer rate between the host computer and the inverter.  
 Note: the baud rate must be set to the same for the host computer and the inverter, otherwise communication can not be achieved. The larger baud rate, the faster communication speed.

F9.01	Data format	Default	0
	Setting range	0: no parity: data format <8, N, 2> 1: even parity: data format <8, E, 1> 2: odd parity: data format <8, O, 1> 3: no parity: data format <8-N-1>	

Note: the set data for the host computer and the inverter must be the same.

F9.02	This unit address	Default	1
	Setting range	1 to 247, 0 for broadcast address	

When the address of this unit is set 0, that is broadcast address, the broadcasting function for the host computer can be achieved.

The address of this unit has uniqueness (in addition to the broadcast address), which is the basis of peer-to-peer communication for the host computer and the inverter.

F9.03	Response delay	Default	2ms
	Response delay	0~20ms	

Response delay: refers to the end of the frequency converter data to the host computer to send data in the middle of the interval. If the response delay is less than the system processing time, delayed response to system processing time shall prevail, such as response delay is longer than the system processing time, system processed data, to the delay of waiting, until the response delay time to, to send data to the host computer.

F9.04	Communication timeout	Factory value	0.0 s
	Response delay	0.0s (invalid); 0.1~60.0s	

When the function code is set to 0.0s, the communication timeout time parameter is invalid.

When the function code is set to a valid value, the system will report the fault fault (fault sequence number Err.16) if the communication time between the next communication and the next communication time exceeds the communication time. Usually, they are set to invalid. If you are in a continuous communication system, set the secondary parameters, you can monitor the status of the communication.

F9.05	Communication protocol selection	Factory value	1
	Response delay	0: non standard Modbus protocol; 1: Standard Modbus protocol	

F9.05=1: Select standard Modbus protocol.

F9.05=0: Read command, the return of the number of bytes from the machine is more than one byte of the standard Modbus protocol.

F9.06	Communication read current resolution	Factory value	0
	Response delay	0: 0.01A; 1: 0.1A	

The output unit of the current value is used to determine the output current of the communication read output.

## Appendix II How to use universal encoder expansion card

### II-1 Overview

ST500 is equipped with a variety of universal encoder expansion card (PG card), as an optional accessory, it is necessary part for the inverter closed-loop vector control, please select PG card according to the form of encoder output, the specific models are as follows:

Options	Description	Others
ST500_PG1	ABZ incremental encoder: Differential input PG card, without frequency dividing output. OC input PG card, without frequency dividing output. 5V, 12V, 24V voltage is optional, please provide voltage and pulse input mode information when ordering.	Terminal wiring
ST500_PG3	UVW incremental encoder. UVW Differential input PG card, without frequency dividing output.5V voltage	Terminal wiring
ST500_PG4	Rotational transformer PG card	Terminal wiring
ST500_PG5	ABZ incremental encoder. OC input PG card, with 1:1 frequency dividing output. 5V, 12V, 24V voltage is optional, please provide voltage and pulse input mode information when ordering.	Terminal wiring

### II-2 Description of mechanical installation and control terminals function

The expansion card specifications and terminal signals for each encoder are defined as follows:

Table 1 Definitions of specifications and terminal signals

Differential PG card(ST500_PG1)					
ST500_PG1 specifications					
User interface			Terminal block		
Spacing			3.5mm		
Screw			Slotted		
Swappable			NO		
Wire gauge			16-26AWG(1.318~0.1281mm <sup>2</sup> )		
Maximum frequency			500kHz		
Input differential signal amplitude			≤7V		
ST500_PG1 terminal signals					
No.	Label no.	Description	No.	Label no.	Description
1	A+	Encoder output A signal positive	6	Z-	Encoder output Z signal negative
2	A-	Encoder output A signal negative	7	5V	Provide 5V/100mA power
3	B+	Encoder output B signal positive	8	GND	Power ground
4	B-	Encoder output B signal negative	9	PE	Shielding terminal
5	Z+	Encoder output Z signal positive			
UVWdifferential PG card					
ST500_PG3 specifications					
User interface			Terminal block		
Swappable			NO		

Appendix II

Wire gauge		>22AWG(0.3247mm <sup>2</sup> )			
Maximum frequency		500kHz			
Input differential signal amplitude		≤7V			
ST500_PG3 terminal description					
Item No.	Label no.	Description	Item No.	Label no.	Description
1	A+	Encoder output A signal positive	9	V+	Encoder output V signal positive
2	A-	Encoder output A signal negative	10	V-	Encoder output V signal negative
3	B+	Encoder output B signal positive	11	W+	Encoder output W signal positive
4	B-	Encoder output B signal negative	12	W-	Encoder output W signal negative
5	Z+	Encoder output Z signal positive	13	+5V	Output 15V/100mA power
6	Z-	Encoder output Z signal negative	14	GND	Power ground
7	U+	Encoder output U signal positive	15	-	
8	U-	Encoder output U signal negative			
Rotational transformer PG card(ST500_PG4)					
ST500_PG4 specifications					
User interface		Terminal block			
Swappable		NO			
Wire gauge		>22AWG(0.3247mm <sup>2</sup> )			
Resolution		12-bit			
Excitation frequency		10kHz			
VRMS		7V			
VP-P		3.15±27%			
ST500_PG4 terminal description					
No.	Label no.	Description	No.	Label no.	Description
1	EXC1	Rotary transformer excitation negative	4	SINLO	Rotary transformer feedback SINLO negative
2	EXC	Rotary transformer excitation positive	5	COS	Rotary transformer feedback COS positive
3	SIN	Rotary transformer feedback SIN positive	6	COSLO	Rotary transformer feedback COSLO negative
OC PG card(ST500_PG5)					
ST500_PG5 specifications					
User interface		Terminal block			
Spacing		3.5mm			
Screw		Slotted			
Swappable		NO			
Wire gauge		16-26AWG(1.318~0.1281mm <sup>2</sup> )			
Maximum frequency		100KHz			
ST500_PG5 terminal description					
No.	Label no.	Description	No.	Label no.	Description
1	A	Encoder output A signal	6	A0	PG card 1:1 feedback output A signal
2	B	Encoder output B signal	7	B0	PG card 1:1 feedback output B signal
3	Z	Encoder output Z signal	8	Z0	PG card 1:1 feedback output Z signal
4	15V	Output 15V/100mA power	9	PE	Shielding terminal
5	GND	Power ground			

# Appendix III CAN bus communication card use description

## III-1.Overview

CAN bus communication card is suitable for all series of ST500 frequency inverters.Protocol details,please refer to 《CAN bus communication protocol》 document.

## III-2.Mechanical installation and terminal functions

### III-2-1 Mechanical installation modes:

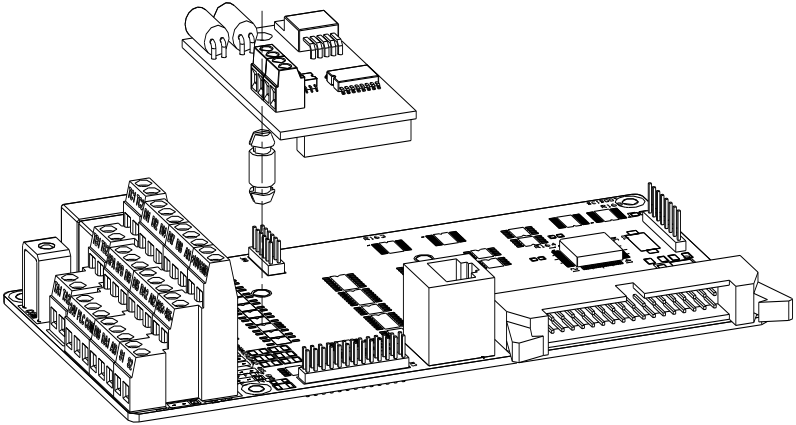


Figure III-1: CAN bus communication card's installation on SCB

### III-2-2 Terminal function

Class	Terminal Symbol	Terminal Name	Description
Communication	CANH	communication interface terminals	CANcommunication input terminals
	CANL		
	COM	CAN communication power ground	CAN 5V power output terminals
	P5V	CAN communication power output +5V	

# Appendix IV: Instruction of Profibus – DP communication card

## IV-1.Outline

9KDP1 meets the international standard PROFIBUS fieldbus, Sourcetric technology ST500 series inverter uses it together to achieve the drive to become a part of fieldbus control network. Before using this product, please carefully read this manual

## IV-2 Terminal function

### IV-2-1 DIP switch description

Switch position No.	Function	Instruction		
		Bit 1	Bit 2	Baud Rate
1,2	DP Card and the drive baud rate selection	OFF	OFF	115.2K
		OFF	ON	208.3K
		ON	OFF	256K
		ON	ON	512K
3-8	Profibus-DP Communication from the station address	6 switches consisting of 6-bit (0-64) binary address, more than addresses 0-64 can be set only by function code. The following lists some example slave address and switch settings Address switch settings 0 00 0000 7 00 0111 20 01 0100		

Table V-1: Switch Functions

### IV-2-2 Terminal Function

#### 1) External communication terminal J4-6PIN

Terminal NO	Name	Function	Terminal NO	Name	Function
1	GND	5V power ground	4	TR+	Cable Positive
2	RTS	Request to send signal	5	+5V	5V power
3	TR-	Cable negative	6	E	The grounding end

Table V-2: External communication terminal function

#### 2) Upper machine communication interface SW1-8PIN

Terminal No	Terminal name	Function	Terminal No	Terminal name	Function
1	BOOT0	ARM boot selection	5	PC232T	PC 232 communication Sending side
2	GND	Power ground	6	PC232R	PC 232 communication receiving side
3	VCC	Power	7	RREST	ARM reset
4	Reserved	Reserve	8	GND	Power ground

Table V-3: PC communication terminal function

### V-2-3 LED Light function

LEDlight	Function definition	Description
Green	Power light	If DP card and drive interfaces connected, the inverter after power LED should be in the steady state
Red	DP CARDS and	DP Card and inverter connected to the normal state of the



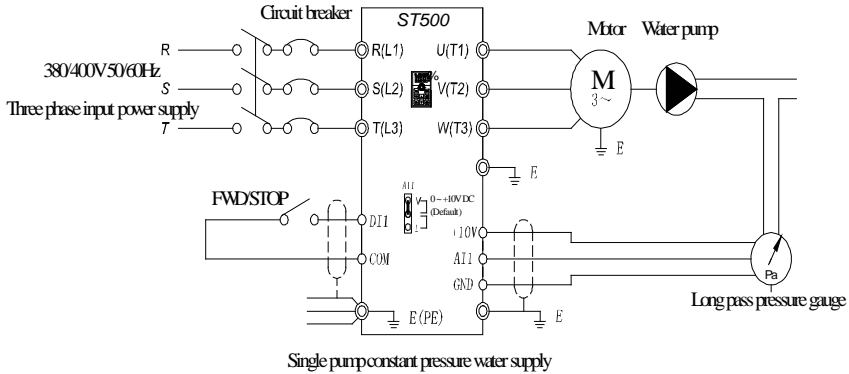
	frequency converter serial port connect light	LED is lit, flashing indicates the connection is intermittent (for interference), and drive off when a serial connection is unsuccessful (You can check the baud rate setting)
Yellow	DP card and Profibusmain connection indicator light	DP Profibus master card and connect normal state of the indicator is lit. flashing indicates the connection is intermittent (for interference), and Profibus master is off when connection is unsuccessful (you can check the slave address, data formats, and Profibus cable )

Table V-4: LED light function description

## Appendix V product application case

### V-1. Single pump constant pressure water supply parameter setting

#### V-1-1 Electrical Diagram:



Note: Check the wiring is correct, close the circuit breaker, the inverter power, press the forward button for 1-2 seconds and then stop, check the pump running direction, if the direction is reversed, then change the motor wiring phase sequence

#### V-1-2 Parameter setting:

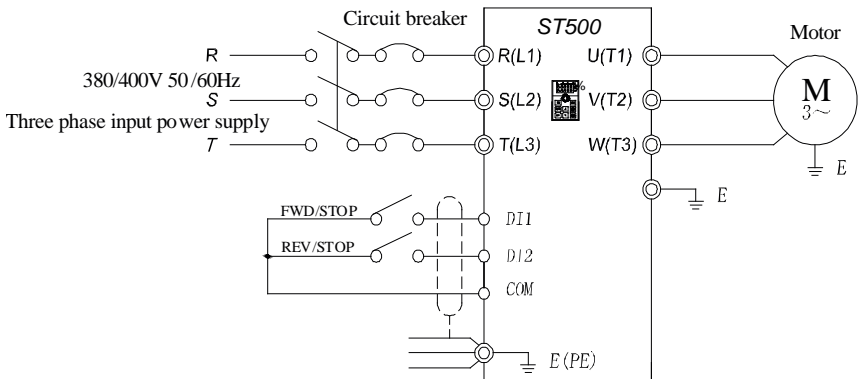
No.	Code	Parameter name	Setting range
F0.03	Frequency source master setting	PID control setting	8
F0.11	Command source selection	Terminal block control (LED on)	1
E2.00	PID setting source	E2.01setting	0
E2.01	PID keyboard reference	0.0%-100.0%	According to the pressure rate to choose the pressure percentage
E2.02	PID feedback source	Analog AI1 reference	0
E2.04	PID reference feedback range	0-65535	Set it according to the on-site pressure
E2.06	PID deviation limit	PID deviation limit	0.2%
E2.27	Computing status after PID stop	PID stop with computing	1
F7.46	Awakens frequency	If the inverter is in hibernation mode and the current running command is valid, when the setting frequency is greater than or equal to the wake-up frequency of F7.46, the inverter will start to start after the delay time of	35.00Hz

		F7.47.	
F7.47	Awakens delay time	0.0s-6500.0s	0.1s
F7.48	Dormancy frequency	During the operation of the inverter, when the set frequency is less than or equal to the sleep frequency of F7.48, after the delay time of F7.49, the inverter will go to sleep state and stop automatically	30.00Hz
F7.49	Dormancy delay time	0.0s-6500.0s	0.1s
FC.02	PIDstart deviation	PID setting start deviation rate	5.0

Note: Under normal circumstances, please set the wake-up frequency greater than or equal to the sleep frequency. Set the wake-up frequency and sleep frequency are 0.00Hz, then sleep and wake-up function is invalid. When the sleep function is enabled, if the PID is used as the PID source, then whether the PID is in sleep mode or not is affected by the function code E2.27. In this case, PID operation must continue when dormant (E2.27 = 1). E2.01 The method of calculating the signal value given by the keyboard: E2.01 = Set the pressure of the full scale of the pressure gauge \* 100%, for example: The full scale of the pressure gauge is 1.0Mpa. If the pressure of the pipe network is required to be constant at 0.4Mpa, The value of E2.01 is 40.0.

## V-2 Terminal block control motor forward and reverse

### V-2-1 Electrical Diagram:



Terminal control of positive and reverse motor

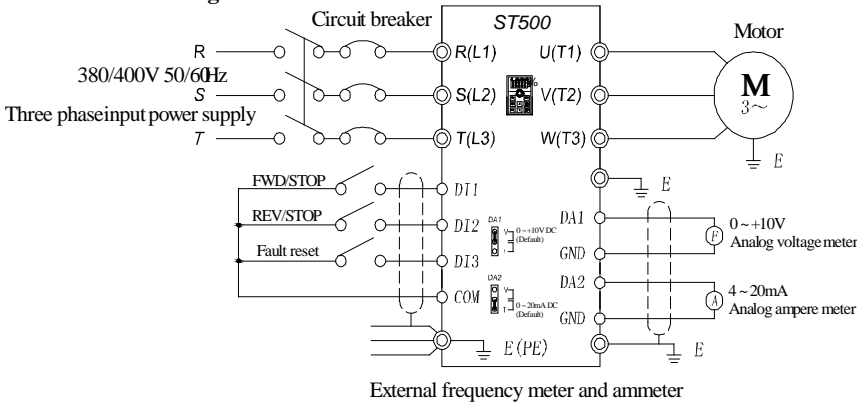
Connection: Control terminal DI1 corresponds to forward command, control terminal DI2 corresponds to reverse command.

### V-2-2 Parameters setting:

No.	Code	Parameter name	Setting range
F0.11	Command source selection	Keyboard control (LED on)	1
F1.00	DI1 terminal function selection	Forward running (FWD)	1
F1.01	DI2 terminal function selection	Reverse running (REV)	2

## V-3 External frequency and current display

### V-3-1 Electrical Diagram:



Standard default output: DA1 default 0 ~ 10V; DA2 default 4 ~ 20mA.

**V-3-2 Connection:** The voltage meter showing the frequency is connected to the DA1 and GND terminals of the inverter, and the ammeter is connected to the DA2 and GND terminals.

### V-3-3 parameter setting:

When the system requires the drive DA1 0-5V signal output, you need to set the parameters as follows:

No.	Code	Parameter name	Setting range
F2.07	DA1 output function selection	Running frequency	0
F2.16	DA1 zero bias coefficient	-100.0% ~ +100.0%	0%
F2.17	DA1 gain	-10.00 ~ +10.00	0.50

Note: DA1 jumper cap on drive control board needs to be shorted to V terminal.

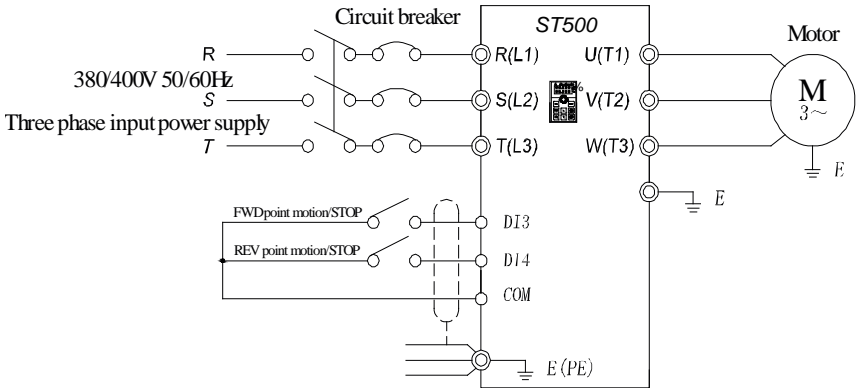
When the system requires DA2 to provide 4-20mA signal output, the following parameters need to be set:

No.	Code	Parameter name	Setting range
F2.08	DA2 output function selection	output current	2
F2.18	DA2 zero bias coefficient	-100.0% ~ +100.0%	20.0%
F2.19	DA2 gain	-10.00 ~ +10.00	0.80

Note: The DA2 jumper cap on the control board of the inverter needs to be shorted to I terminal.

## V-4 Terminal block control forward / reverse running jog

### V-4-1 electrical diagram:



Terminals to control positive and reverse point movement

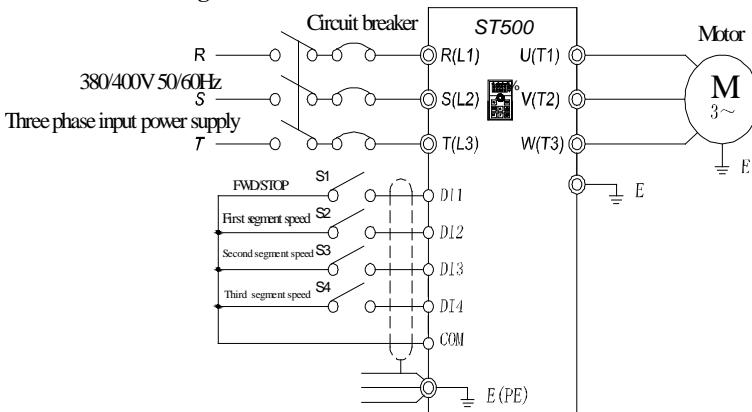
**V-4-2 Connection:** Control terminal DI3 corresponds to jog command, control terminal DI4 corresponds to Jog command.

### V-4-3 Parameter setting:

No.	Code	Parameter name	Setting range
F0.11	Command source selection	Terminal block control (LED on)	1
F1.02	DI3 terminal function selection	Forward JOG (FJOG)	4
F1.03	DI4 terminal function selection	Reverse JOG (RJOG)	5

## V-5 Multi-speed running

### V-5-1 electrical diagram



Multi segment speed operation

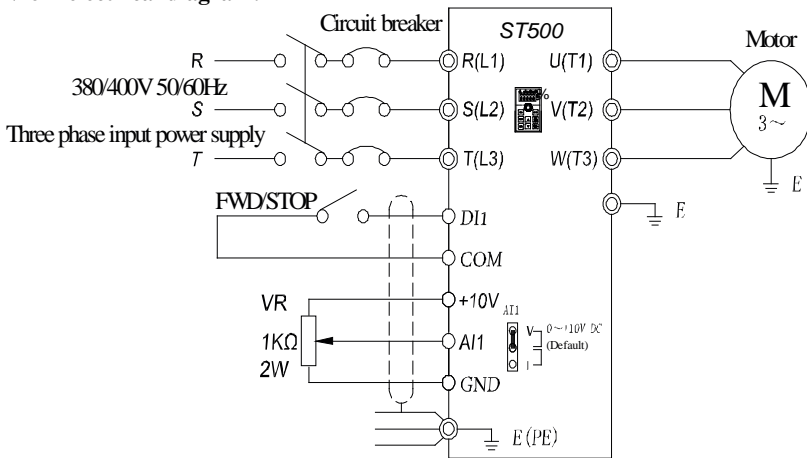
**V-5-2 Connection:** The control terminals DI1 and COM are short-circuited and run forward command (0 segment speed setting 0X). DI2, DI3 and DI4 correspond to 3-segment speed short to COM and 100% parameter value corresponds to 50HZ.(Take the three-stage speed as an example, up to 16-stage speed control can be realized).

**V-5-3 Parameter setting:**

No.	Code	Parameter name	Setting range
F0.03	Frequency source master setting	Multi-speed operation setting	6
F0.11	Command source selection	Terminal block control (LED on)	1
F0.13	Acceleration time 1	0.0s ~ 6500s	2.0s
F0.14	Deceleration time 1	0.0s ~ 6500s	2.0s
F1.00	DI1 terminal function selection	Forward run (FWD)	1
F1.01	DI2 terminal function selection	Multi-speed terminal 1	12
F1.02	DI3 terminal function selection	Multi-speed terminal 2	13
F1.03	DI4 terminal function selection	Multi-speed terminal 3	14
E1.00	0-stage speed setting 0X	0-stage speed frequency setting percentage	20.0%
E1.01	1-stage speed setting 1X	1-stage speed frequency setting percentage	40.0%
E1.02	2-stage speed setting 2X	2-stage speed frequency setting percentage	60.0%
E1.04	4-stage speed setting 4X	3-stage speed frequency setting percentage	100.0%
Options:			
E1.51	Multi-stage command 0 reference manner	0 ~ 7 selection, according to the site requirements to set the corresponding way	0

**V-6 External potentiometer speed regulation**

**V-6-1 electrical diagram:**



Speed regulation by external potentiometer

**V-6-2 connection:** The three cables of potentiometers are connected to the inverter +10 V, AI1, GND terminal, note that the direction of potentiometer wiring, clockwise to the maximum corresponding maximum frequency, counterclockwise twisted to the minimum corresponding 0Hz.

**V-6-3 Parameter setting**

No.	Code	Parameter name	Setting range
F0.03	Frequency source master setting	Analog AI1 setting	2
F0.11	Command source selection	Terminal block control (LED on)	1
F1.00	DI1 terminal function selection	Forward run (FWD)	1

**V-7 Keyboard potentiometer speed**

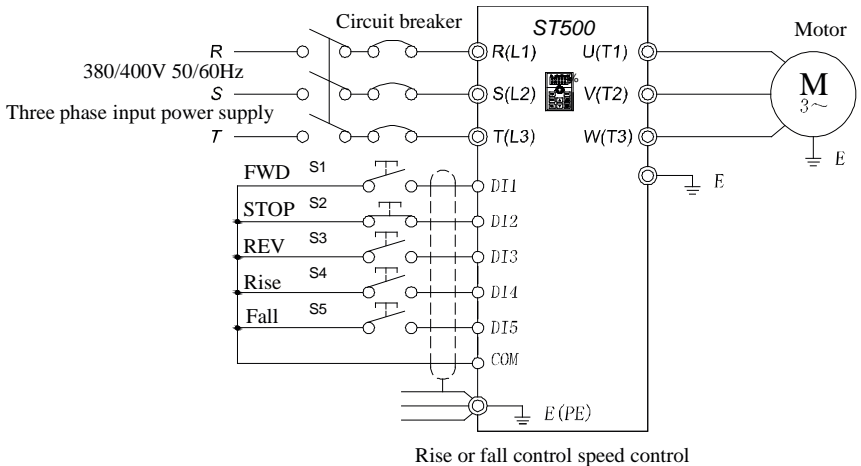
**Parameter setting:**

No.	Code	Parameter name	Setting range
F0.03	Frequency source master setting	Panel potentiometer setting	4
F1.42	Keyboard potentiometer X2	0 ~ 100.00%	1.00

Note: F1.42 is used to adjust the rate of change of panel potentiometer rotation frequency. The smaller this value is, the more sensitive the panel potentiometer rotation frequency changes.

**V-8. Rise / Fall Control Speed**

**V-8-1 electrical diagram:**



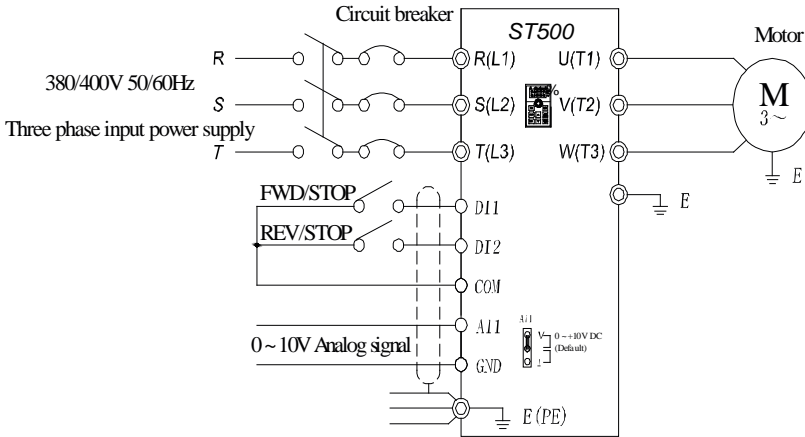
**V-8-2 Connection:** Three-wire control mode 1, forward command Corresponding terminal DI1, stop DI2, reverse DI3, and DI4 and DI5, respectively, with the corresponding COM short, increase and decrease running frequency command.

**V-8-3 Parameter setting:**

No.	Code	Parameter name	Setting range
F0.11	Command source selection	Terminal block control (LED on)	1
F0.03	Frequency source master setting	UP/DOWN can be modified, power-down with memory	1
F1.10	Terminal command mode	Three-wire control mode 1	2
F1.00	DI1 terminal function selection	Forward run (FWD)	1
F1.01	DI2 terminal function selection	Three-wire operation control	3
F1.02	DI3 terminal function selection	Reverse run(REV)	2
F1.03	DI4 terminal function selection	terminal UP	6
F1.04	DI5 terminal function selection	terminal DOWN	7
F1.11	Terminal UP/DOWN change rate	Used to set terminal UP/DOWN adjustment frequency, the rate of frequency change.	1.00Hz/s
F0.10	UP/DOWN reference	Running frequency	0

**V-9. External analog speed control (external 0 ~ 10V voltage signal given)**

**V-9-1 electrical diagram:**



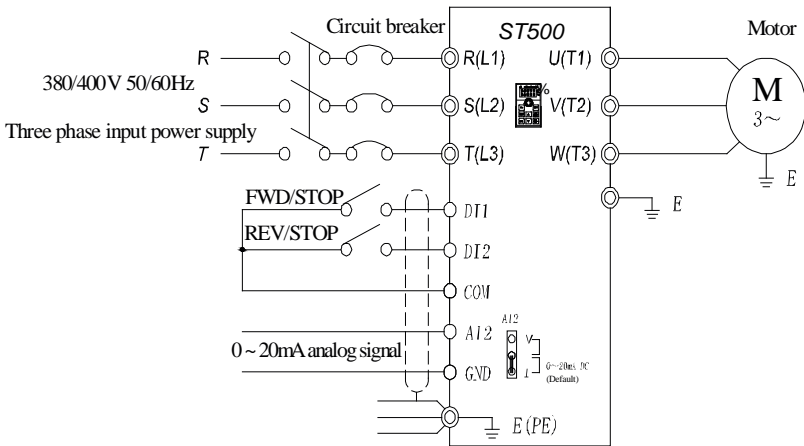
External simulation speed regulation  
(External 0 ~ 10V voltage signal given)

**V-9-2 Connection:** The (+) terminal of the external analog signal is connected to the AI1 terminal, and the other terminal of the signal is connected to the GND terminal of the inverter.



**V-9-3 Parameter setting:**

No.	Code	Parameter name	Setting range
F0.03	Frequency source master setting	AI1 analog quantity setting	2
F0.11	Command source selection	Terminal block control (LED on)	1
F1.00	DI1 terminal function selection	Forward run (FWD)	1
F1.01	DI2 terminal function selection	Reverse run(REV)	2

**V-10. External analog speed control (external 0 ~ 20mA current signal given)****V-10-1 electrical diagram**

External simulation speed regulation  
(external 0 ~ 20mA current signal given)

**V-10-2 Connection:** Connect the (+) end of the external reference signal to the AI2 terminal, the (-) end of the signal to the GND terminal of the inverter, and the AI2 jumper cap to the I terminal.

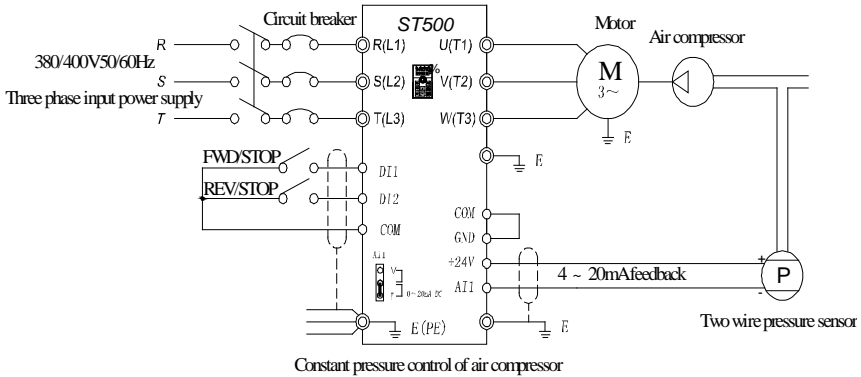
**V-10-3 Parameter setting:**

No.	Code	Parameter name	Setting range
F0.03	Frequency source master setting	AI2analog quantity setting	3
F0.11	Command source selection	Terminal block control (LED on)	1
F1.00	DI1 terminal function selection	Forward run (FWD)	1
F1.01	DI2 terminal function selection	Reverse run(REV)	2
F1.16	Minimum input for AIC2	0.00V-F0.18	0.00V

Note: If external 4 ~ 20mA current signal is given, please set F1.16 = 2.00V.

## V-11. Air compressor constant pressure control (sensor for two-wire pressure transmitter)

### V-11-1 electrical diagram:



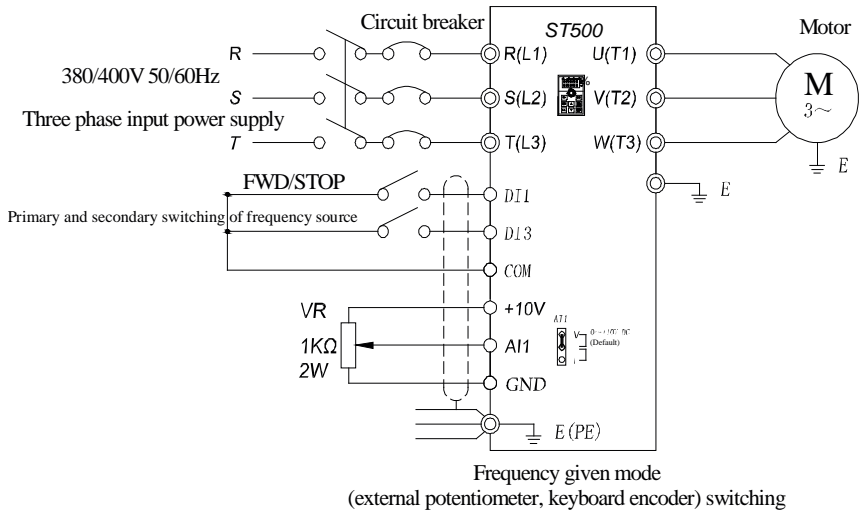
**V-11-2 Connection:** Short circuit between COM and GND;  
 + 24V, AI1 indirect pressure sensor feedback 4 ~ 20mA current signal;  
 DI1, COM indirect "forward / stop" signal, DI2, COM connected to "fault reset" signal;  
 AI1 jumper cap shorted to I end.

### V-11-3 Parameter setting

No.	Code	Parameter name	Setting range
F0.03	Frequency source master setting	PID control setting	8
F0.11	Command source selection	Terminal block control (LED on)	1
F0.13	Acceleration time 1	0.0s ~ 6500s	50.0s
F0.14	Deceleration time 1	0.0s ~ 6500s	50.0s
F0.18	Carrier Frequency	0.5kHz ~ 16.0 kHz	4.0 kHz
F0.21	Upper limit frequency	0.00 ~ maximum frequency (F0.19)	48.00Hz
F0.23	Upper limit frequency offset	0.00 ~ Upper limit frequency (F0.21)	25.00Hz
F1.00	DI1 terminal function selection	Forward run (FWD)	1
F1.01	DI2 terminal function selection	Fault reset	9
F1.12	Minimum input for AI1	0.5V corresponds to 1mA	2.00V
F3.07	Stop mode	Free stop	1
E2.01	PID keyboard reference	0.0%-100.0%	Set the desired pressure value percentage based on the pressure value actually required
E2.29	PID automatic deceleration frequency option	valid	1
E2.27	Computing status after PID stop	PID stop with computing	1

## V-12. Frequency reference mode (external potentiometer, keyboard encoder) switching

### V-12-1 electrical diagram:



### V-12-2 Parameter setting

No.	Code	Parameter name	Setting range
F0.03	Frequency source master setting	Panel potentiometer setting	4
F0.04	Frequency source auxiliary setting	AI1 analog quantity setting	2
F0.11	Command source selection	Terminal block control (LED on)	1
F1.00	DI1 terminal function selection	Forward run (FWD)	1
F1.02	DI3 terminal function selection	Frequency source switching	18
F0.07	Frequency source superimposed selection	frequency reference main / auxiliary switching	02

Note: DI3 and COM connected to switch to an external potentiometer for speed control, otherwise the panel potentiometer controls the motor speed.

SOURCETRONIC GMBH  
Fahrenheitstrasse 1  
28359 Bremen  
Germany

T +49 421 2 77 99 99  
F +49 421 2 77 99 98  
info@sourcetric.com  
www.sourcetric.com  
skype: sourcetric

